

Data sheet for SIMOTICS S-1FL2

Article No. : 1FL2306-4AC11-1MB0



Client order no. :
Order no. :
Offer no. :
Remarks :

Item no. :
Consignment no. :
Project :

Basic motor data

Motor type	Permanent-magnet synchronous motor
Motor type	High Inertia
Static torque	8.00 Nm
Static current	4.90 A
Maximum torque	22.00 Nm
Maximum current	14.10 A
Maximum speed	3,000 rpm
Rotor moment of inertia	15.2870 kgcm ²
Weight	11.60 kg

Rated data

SINAMICS S200, 3 AC 380 ... 480 V

Rated speed	2,000 rpm
Rated torque	7.16 Nm
Rated current	4.60 A
Rated power	1.50 kW

Encoder system

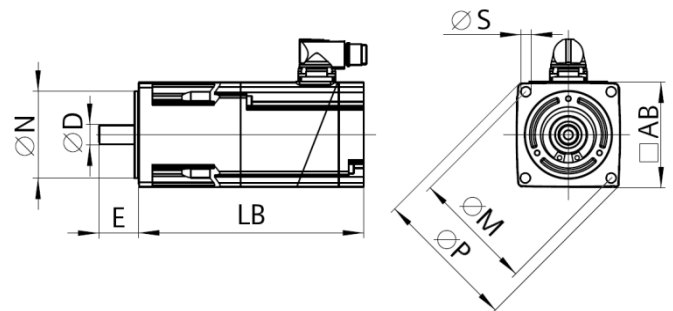
Encoder system	Absolute encoder 21-bit singleturn + 12-bit multiturn
----------------	---

Motor connection

Connection type	Metal angular connector
-----------------	-------------------------

Mechanical data

Design acc. to Code I	IM B5 (IM V1, IM V3)
Vibration severity grade	Grade A
Shaft height	65
Flange size (AB)	130 mm
Centering ring (N)	110 mm
Hole circle (M)	145 mm
Screw-on hole (S)	9.0 mm
Overall length (LB)	235.7 mm
Diameter of shaft (D)	22 mm
Length of shaft (E)	58 mm
Length of flange diagonal (P)	165.2 mm
Shaft end	Shaft with parallel key (half-key balancing)
Color of the housing	Anthracite RAL 7016



Holding brake

Rated voltage	24 V DC 10 %
Rated current	1.50 A
Holding torque M_{4Br}	12.00 Nm
Opening time	180 ms
Closing time	60 ms