



ATC6 USB front interface Accessory for ATC6300 and ATC6500 pluggable for front-side parameter assignment contains USB adapter and mini USB cable Cable length 1.8 m

Model	
product brand name	SETRON
product designation	Accessories for transfer control device
design of the product	ATC6 USB front interface
type of voltage supply	Powered through the USB port
General technical data	
operating temperature	
• minimum	-30 °C
• maximum	70 °C
Supply voltage	
supply voltage at DC	5 V
Protection class	
protection class IP on the front	IP20
Dissipation	
power loss [W] at DC maximum	0.5 W
Product details	
product feature of enclosure material	Polyamide
Accessories	
accessories	Accessories for ATC6300
Connections	
type of electrical connection	Plug-in
Mechanical Design	
height	11 mm
width	32 mm
depth	47 mm
Net Weight	84 g
Environmental conditions	
relative humidity reference value	80 %
ambient temperature during storage	
• minimum	-30 °C
• maximum	80 °C
Certificates	
reference code according to IEC 81346-2	K
Approvals Certificates	
General Product Approval	other



Miscellaneous



Confirmation

Environment

[Environmental Confirmations](#)

Further information

Information on the packaging

<https://support.industry.siemens.com/cs/ww/en/view/109813875>

Information for data generation and storage

<https://support.industry.siemens.com/cs/ww/en/view/109995012>

Information- and Downloadcenter (Catalogs, Brochures,...)

<http://www.siemens.com/lowvoltage/catalogs>

Industry Mall (Online ordering system)

<https://mall.industry.siemens.com/mall/en/en/Catalog/product?mlfb=3KC9000-8TL73>

Service&Support (Manuals, Certificates, Characteristics, FAQs,...)

<https://support.industry.siemens.com/cs/ww/en/ps/3KC9000-8TL73>

Image database (product images, 2D dimension drawings, 3D models, device circuit diagrams, ...)

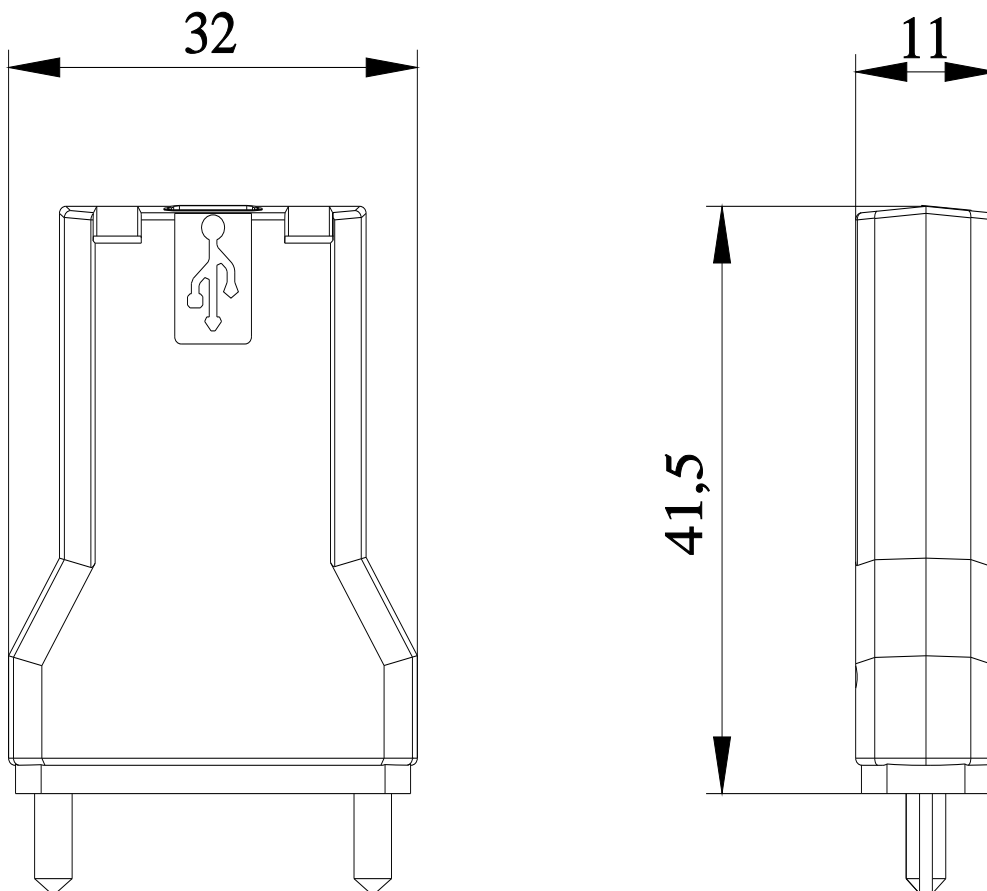
http://www.automation.siemens.com/bilddb/cax_en.aspx?mlfb=3KC9000-8TL73

CAX-Online-Generator

<http://www.siemens.com/cax>

Tender specifications

<http://www.siemens.com/specifications>



last modified:

4/3/2025

