





accessories for 3KF SITOR size 4, fourth pole, switchable, for LV HRC fuse sizes 1 and 2, for semiconductor protection, flat connector

Model	
product brand name	SENTRON
product designation	Accessories for switch disconnectors
design of the product	Fourth pole
accessories	Fourth pole
Mechanical Design	
Net Weight	2.78 kg
Approvals Certificates	
General Product Approval	Maritime application



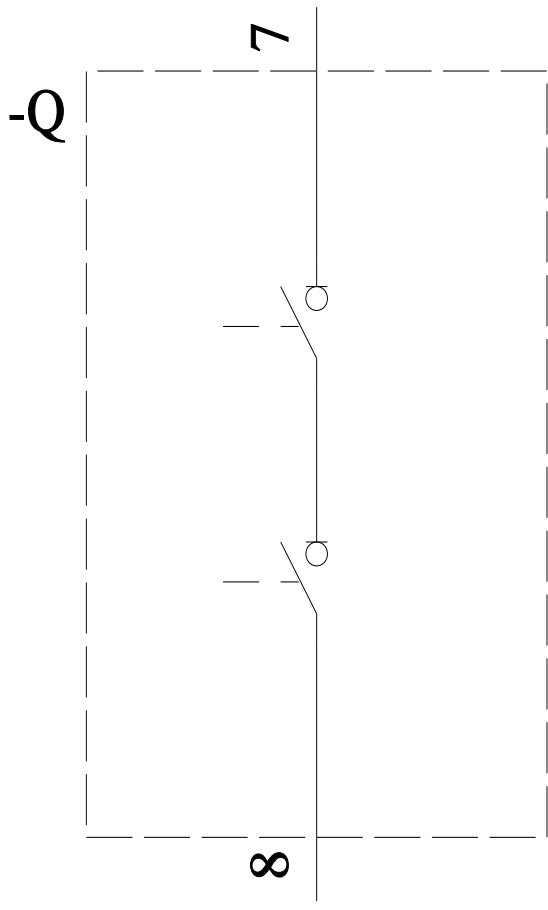
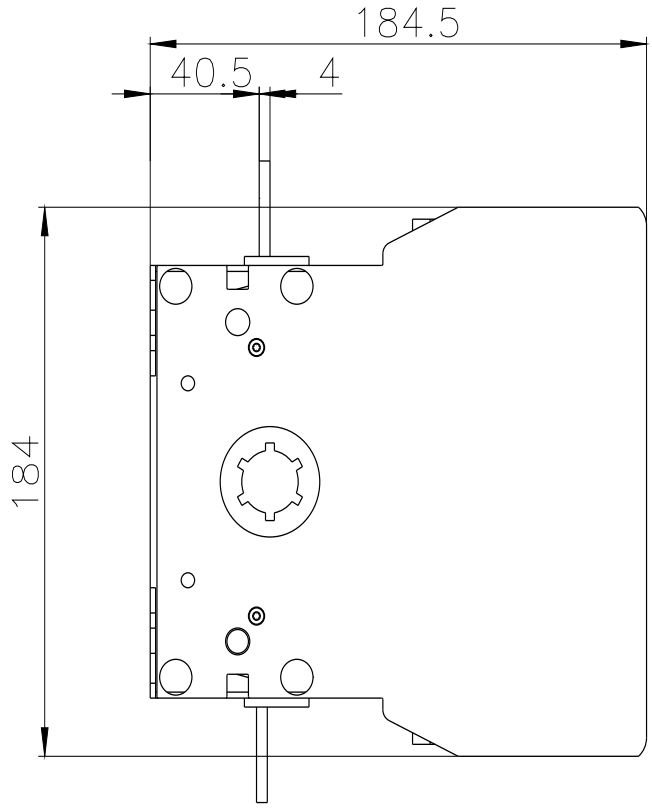
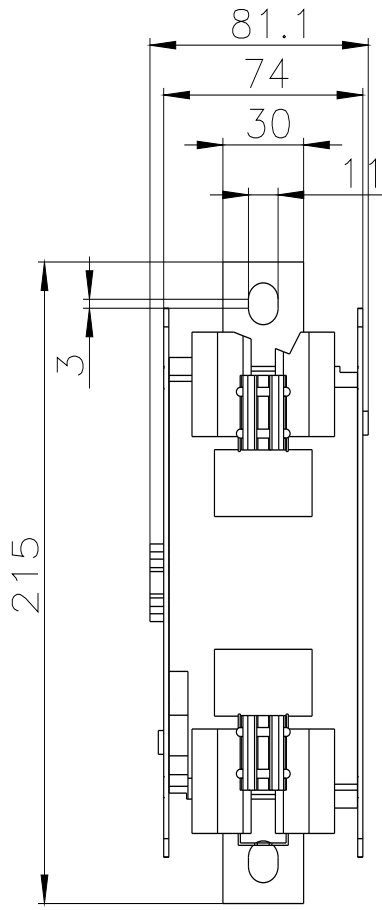
[Miscellaneous](#)

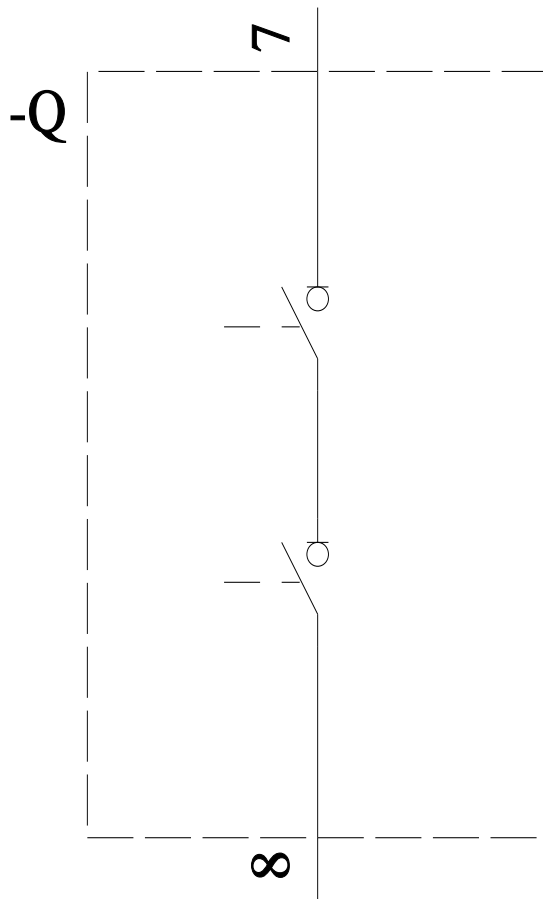


other	Environment
<p><a href="#">Miscellaneous</a></p> 	<p><a href="#">Confirmation</a></p>  <p><a href="#">Environmental Confirmations</a></p> <p><a href="#">Environmental Confirmations</a></p>

### Further information

- Information on the packaging  
<https://support.industry.siemens.com/cs/ww/en/view/109813875>
- Information for data generation and storage  
<https://support.industry.siemens.com/cs/ww/en/view/109995012>
- Information- and Downloadcenter (Catalogs, Brochures,...)  
<http://www.siemens.com/lowvoltage/catalogs>
- Industry Mall (Online ordering system)  
<https://mall.industry.siemens.com/mall/en/en/Catalog/product?mlfb=3KF9405-0BA00>
- Service&Support (Manuals, Certificates, Characteristics, FAQs,...)  
<https://support.industry.siemens.com/cs/ww/en/ps/3KF9405-0BA00>
- Image database (product images, 2D dimension drawings, 3D models, device circuit diagrams, ...)  
[http://www.automation.siemens.com/bilddb/cax\\_en.aspx?mlfb=3KF9405-0BA00](http://www.automation.siemens.com/bilddb/cax_en.aspx?mlfb=3KF9405-0BA00)
- CAx-Online-Generator  
<http://www.siemens.com/cax>
- Tender specifications  
<http://www.siemens.com/specifications>





last modified:

4/3/2025 

