



Load disconnector 3LD3, Iu 25 A Main switch 3-pole + N Rated operating capacity at AC-23 A at 400V 9.0kW floor mounting Basic switch with door coupling Central hole mounting 22.5mm Toggle drive black 48x48 mm

Model	
product brand name	SETRON
product designation	Switch disconnector
design of the product	Main switch
display version for switch position indicator manual operation	1 ON - 0 OFF
type of switch	Floor mounting with door coupling
design of the actuating element	selector switch
color of the actuating element	black
design of handle	knob-operated mechanism, black
type of the driving mechanism motor drive	No
General technical data	
number of poles	4
number of poles note	4
mechanical service life (operating cycles) typical	100 000
electrical endurance (operating cycles)	
• at AC-23 A at 690 V	6 000
operating frequency maximum	50 1/h
degree of pollution	3
Voltage	
insulation voltage rated value	690 V
surge voltage resistance rated value	6 kV
operating voltage	
• at AC rated value	690 V
operating frequency rated value	
• minimum	50 Hz
• maximum	60 Hz
Protection class	
protection class IP	IP65
degree of protection NEMA rating	1, 3R, 4X, 12
protection class IP on the front	IP65
Dissipation	
power loss [W] for rated value of the current at AC in hot operating state per pole	1.1 W
Main circuit	
operational current	
• at AC-21 at 690 V rated value	25 A
• at AC-21 A at 240 V rated value	25 A
• at AC-21 A at 400 V rated value	25 A
• at AC-21 A at 440 V rated value	25 A

<ul style="list-style-type: none"> <li>at AC-23 A at 400 V rated value</li> </ul>	20 A
<b>operating power</b>	
<ul style="list-style-type: none"> <li>at AC-23 A at 240 V rated value</li> </ul>	4 kW
<ul style="list-style-type: none"> <li>at AC-23 A at 400 V rated value</li> </ul>	10 kW
<ul style="list-style-type: none"> <li>at AC-23 A at 440 V rated value</li> </ul>	9 kW
<ul style="list-style-type: none"> <li>at AC-23 A at 690 V rated value</li> </ul>	9 kW
<ul style="list-style-type: none"> <li>at AC-3 at 240 V rated value</li> </ul>	4 kW
<ul style="list-style-type: none"> <li>at AC-3 at 400 V rated value</li> </ul>	8 kW
<ul style="list-style-type: none"> <li>at AC-3 at 690 V rated value</li> </ul>	7.5 kW

<b>Auxiliary circuit</b>	
number of CO contacts for auxiliary contacts	0
<b>number of NC contacts for auxiliary contacts</b>	0
<b>number of NO contacts for auxiliary contacts</b>	0
<b>operating voltage of auxiliary contacts at AC maximum</b>	500 V
<b>continuous current of the auxiliary contact rated value</b>	10 A
insulation voltage of the auxiliary switch rated value	500 V

<b>Suitability</b>	
<b>suitability for use main switch</b>	Yes
<b>suitability for use switch disconnecter</b>	Yes
<b>suitability for use EMERGENCY OFF switch</b>	No
<b>suitability for use safety switch</b>	Yes
<b>suitability for use maintenance/repair switch</b>	Yes

<b>Product details</b>	
<b>special product feature</b>	Can be locked in zero position
<b>product feature can be locked into OFF position</b>	Yes

<b>Accessories</b>	
<b>product extension optional</b>	
<ul style="list-style-type: none"> <li>motor drive</li> </ul>	No
<ul style="list-style-type: none"> <li>voltage trigger</li> </ul>	No
<b>number of connectable NC contacts for auxiliary contacts attachable maximum</b>	2
<b>number of connectable NO contacts for auxiliary contacts attachable maximum</b>	4
<b>number of connectable CO contacts for auxiliary contacts attachable maximum</b>	0
<b>number of bracket locks maximum</b>	2
<b>hasp thickness of the bracket locks</b>	4 ... 6 mm

<b>Short circuit</b>	
<b>conditional short-circuit current with line-side fuse protection</b>	
<ul style="list-style-type: none"> <li>at 440 V by gG fuse rated value</li> </ul>	10 kA
<ul style="list-style-type: none"> <li>at 690 V by gG fuse rated value</li> </ul>	6 kA
<b>let-through current with closed switch</b>	
<ul style="list-style-type: none"> <li>at 240 V for combination switch + gG fuse maximum</li> </ul>	3.5 kA
<ul style="list-style-type: none"> <li>at 440 V for combination switch + gG fuse maximum</li> </ul>	3.5 kA
<ul style="list-style-type: none"> <li>at 690 V for combination switch + gG fuse maximum permissible</li> </ul>	4 kA
<b>I<sup>2</sup>t value with closed switch</b>	
<ul style="list-style-type: none"> <li>at 240 V for combination switch + gG fuse maximum</li> </ul>	4 kA <sup>2</sup> .s
<ul style="list-style-type: none"> <li>at 440 V for combination switch + gG fuse maximum</li> </ul>	4 kA <sup>2</sup> .s
<ul style="list-style-type: none"> <li>at 690 V for combination switch + gG fuse maximum</li> </ul>	4 kA <sup>2</sup> .s
<b>design of the fuse link</b>	
<ul style="list-style-type: none"> <li>for short-circuit protection of the main circuit required</li> </ul>	fuse gL/gG: 25 A
<ul style="list-style-type: none"> <li>for short-circuit protection of the auxiliary switch required</li> </ul>	fuse gL/gG: 10 A
<b>operational current of upstream fuse rated value</b>	25 A

<b>according UL</b>	
<b>operational current at AC according to UL 508/UL 60947-4-1 rated value</b>	25 A
<b>operating voltage at AC at 50/60 Hz according to UL 508/UL 60947-4-1 rated value</b>	600 V
<b>active power [hp] at AC at 480 V according to UL 508/UL 60947-4-1 rated value</b>	10
<b>active power [hp] at AC at 600 V according to UL 508/UL</b>	15

60947-4-1 rated value	
short-time withstand current (SCCR) at 600 V according to UL 508/UL 60947-4-1	5 kA
continuous current of upstream fuse according to UL rated value	50 A
type of fuse according to UL	RK5

#### Connections

AWG number as coded connectable conductor cross section solid maximum	
•	6
•	14
type of connectable conductor cross-sections for copper conductor	
• solid	1x (2.5 to 16 mm <sup>2</sup> )
• finely stranded with core end processing	1x (2.5...16 mm <sup>2</sup> )
• stranded	1x (2.5 to 16 mm <sup>2</sup> )
type of connectable conductor cross-sections for auxiliary contacts	
• solid	2x (0.75 ... 2.5 mm <sup>2</sup> ), 1x 4 mm <sup>2</sup>
• finely stranded with core end processing	2x (0.75 ... 1.5 mm <sup>2</sup> ), 1x 2.5 mm <sup>2</sup>
• stranded	2x (0.75 ... 2.5 mm <sup>2</sup> ), 1x 4 mm <sup>2</sup>
type of electrical connection	
• for main current circuit	box terminal
• for auxiliary contacts	Box terminals

#### Mechanical Design

height	60 mm
width	49 mm
depth	380 mm
type of device	fixed mounting
fastening method	Built-in unit fixed-mounted version
fastening method	
• 4-hole front mounting	No
• front mounting with central attachment	Yes
• rail mounting	Yes
Net Weight	366 g

#### Environmental conditions

ambient temperature during operation	
• minimum	-25 °C
• maximum	55 °C
ambient temperature during storage	
• minimum	-25 °C
• maximum	55 °C

#### Approvals Certificates

General Product Approval	other
--------------------------	-------



other	Environment
-------	-------------

[Confirmation](#)

[Environmental Confirmations](#)

[Environmental Confirmations](#)

#### Further information

Information on the packaging

<https://support.industry.siemens.com/cs/ww/en/view/109813875>

Information for data generation and storage

<https://support.industry.siemens.com/cs/ww/en/view/109995012>

[Information- and Downloadcenter \(Catalogs, Brochures,...\)](#)

<https://www.siemens.com/lowvoltage/catalogs>

Industry Mall (Online ordering system)

<https://mall.industry.siemens.com/mall/en/en/Catalog/product?mlfb=3LD3140-0TL11>

Service&Support (Manuals, Certificates, Characteristics, FAQs,...)

<https://support.industry.siemens.com/cs/ww/en/ps/3LD3140-0TL11>

Image database (product images, 2D dimension drawings, 3D models, device circuit diagrams, ...)

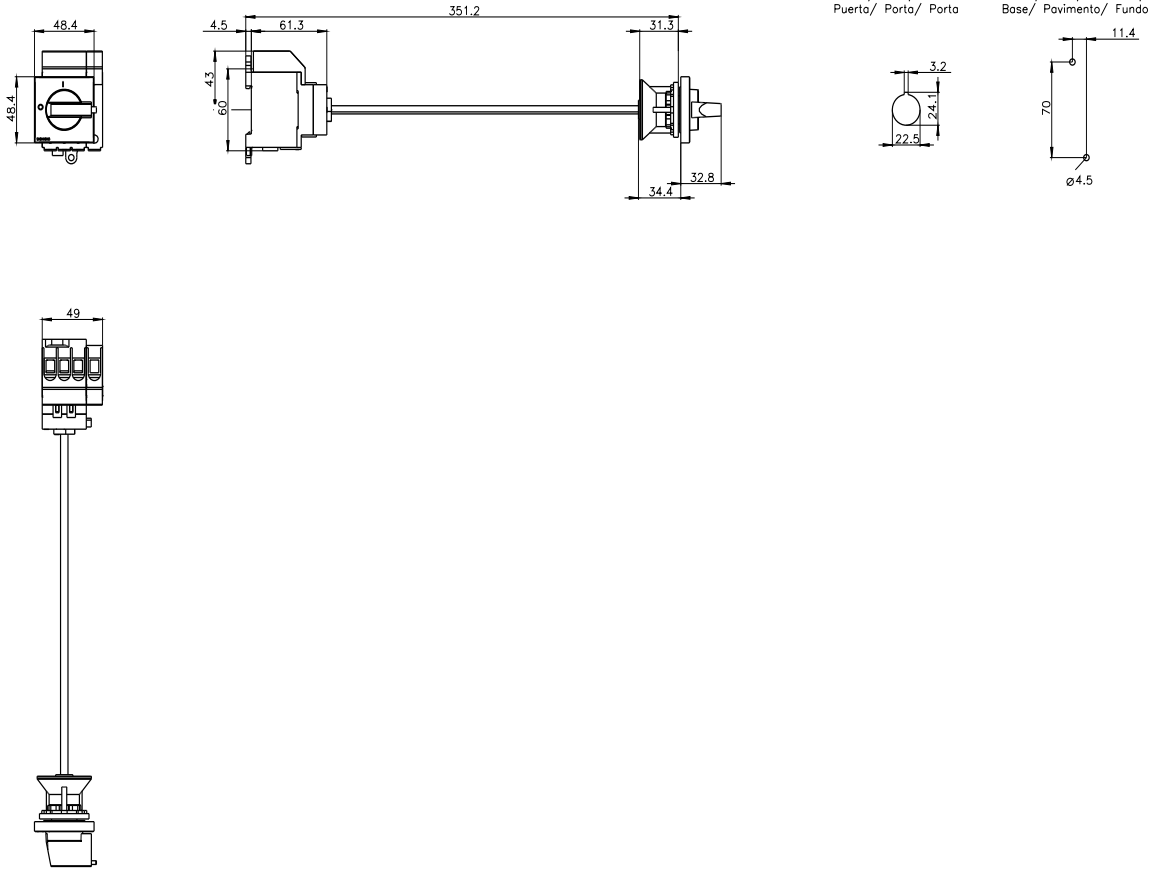
[https://www.automation.siemens.com/bilddb/cax\\_en.aspx?mlfb=3LD3140-0TL11](https://www.automation.siemens.com/bilddb/cax_en.aspx?mlfb=3LD3140-0TL11)

CAx-Online-Generator

<https://www.siemens.com/cax>

Tender specifications

<https://www.siemens.com/specifications>



last modified:

10/14/2025

