



Load disconnecter 3LD3, Iu 40 A Main switch 3-pole Rated operating capacity at AC-23 A at 400 V 18.5 kW floor mounting Basic switch with door coupling Central hole mounting 22.5mm Toggle drive red / yellow 48x48 mm

| Model   |                                     |
|---|-------------------------------------|
| product brand name  | SETRON                              |
| product designation   | Switch disconnecter                 |
| design of the product   | EMERGENCY-STOP switch               |
| display version for switch position indicator manual operation                      | 1 ON - 0 OFF                        |
| type of switch  | Floor mounting with door coupling   |
| design of the actuating element   | selector switch                     |
| color of the actuating element  | red                                 |
| design of handle  | knob-operated mechanism, red/yellow |
| General technical data  |                                     |
| number of poles   | 3                                   |
| number of poles note  | 3                                   |
| mechanical service life (operating cycles) typical                                  | 100 000                             |
| electrical endurance (operating cycles)   |                                     |
| • at AC-23 A at 690 V   | 6 000                               |
| operating frequency maximum   | 50 1/h                              |
| degree of pollution   | 3                                   |
| Voltage   |                                     |
| insulation voltage rated value  | 690 V                               |
| surge voltage resistance rated value  | 6 kV                                |
| operating voltage   |                                     |
| • at AC rated value   | 690 V                               |
| operating frequency rated value   |                                     |
| • minimum   | 50 Hz                               |
| • maximum   | 60 Hz                               |
| Protection class  |                                     |
| protection class IP   | IP65                                |
| degree of protection NEMA rating  | 1, 3R, 4X, 12                       |
| protection class IP on the front  | IP65                                |
| Dissipation   |                                     |
| power loss [W] for rated value of the current at AC in hot operating state per pole | 2.5 W                               |
| Main circuit  |                                     |
| operational current   |                                     |
| • at AC-21 at 690 V rated value   | 40 A                                |
| • at AC-21 A at 240 V rated value   | 40 A                                |
| • at AC-21 A at 400 V rated value   | 40 A                                |
| • at AC-21 A at 440 V rated value   | 40 A                                |
| • at AC-23 A at 400 V rated value   | 36 A                                |

|  |   |
|--|---|
| <b>operating power</b>   |   |
| <ul style="list-style-type: none"> <li>• at AC-23 A at 240 V rated value</li> <li>• at AC-23 A at 400 V rated value</li> <li>• at AC-23 A at 440 V rated value</li> <li>• at AC-23 A at 690 V rated value</li> <li>• at AC-3 at 240 V rated value</li> <li>• at AC-3 at 400 V rated value</li> <li>• at AC-3 at 690 V rated value</li> </ul> | 7.5 kW<br>19 kW<br>15 kW<br>15 kW<br>7.5 kW<br>12 kW<br>11.5 kW         |
| <b>Auxiliary circuit</b>   |   |
| number of CO contacts for auxiliary contacts   | 0   |
| <b>number of NC contacts for auxiliary contacts</b>  | 0   |
| <b>number of NO contacts for auxiliary contacts</b>  | 0   |
| <b>operating voltage of auxiliary contacts at AC maximum</b>   | 500 V   |
| <b>continuous current of the auxiliary contact rated value</b>   | 10 A  |
| insulation voltage of the auxiliary switch rated value   | 500 V   |
| <b>Suitability</b>   |   |
| <b>suitability for use main switch</b>   | Yes   |
| <b>suitability for use switch disconnecter</b>   | Yes   |
| <b>suitability for use EMERGENCY OFF switch</b>  | Yes   |
| <b>suitability for use safety switch</b>   | Yes   |
| <b>suitability for use maintenance/repair switch</b>   | Yes   |
| <b>Product details</b>   |   |
| <b>special product feature</b>   | Can be locked in zero position  |
| <b>product feature can be locked into OFF position</b>   | Yes   |
| <b>Accessories</b>   |   |
| <b>product extension optional</b>  |   |
| <ul style="list-style-type: none"> <li>• motor drive</li> <li>• voltage trigger</li> </ul>   | No<br>No  |
| <b>number of connectable NC contacts for auxiliary contacts attachable maximum</b>   | 2   |
| <b>number of connectable NO contacts for auxiliary contacts attachable maximum</b>   | 4   |
| <b>number of connectable CO contacts for auxiliary contacts attachable maximum</b>   | 0   |
| <b>number of bracket locks maximum</b>   | 2   |
| <b>hasp thickness of the bracket locks</b>   | 4 ... 6 mm  |
| <b>Short circuit</b>   |   |
| <b>conditional short-circuit current with line-side fuse protection</b>  |   |
| <ul style="list-style-type: none"> <li>• at 440 V by gG fuse rated value</li> <li>• at 690 V by gG fuse rated value</li> </ul>   | 10 kA<br>6 kA   |
| <b>let-through current with closed switch</b>  |   |
| <ul style="list-style-type: none"> <li>• at 240 V for combination switch + gG fuse maximum</li> <li>• at 440 V for combination switch + gG fuse maximum</li> <li>• at 690 V for combination switch + gG fuse maximum permissible</li> </ul>  | 5 kA<br>5 kA<br>5 kA  |
| <b>I<sup>2</sup>t value with closed switch</b>   |   |
| <ul style="list-style-type: none"> <li>• at 240 V for combination switch + gG fuse maximum</li> <li>• at 440 V for combination switch + gG fuse maximum</li> <li>• at 690 V for combination switch + gG fuse maximum</li> </ul>  | 15 kA <sup>2</sup> .s<br>15 kA <sup>2</sup> .s<br>15 kA <sup>2</sup> .s |
| <b>design of the fuse link</b>   |   |
| <ul style="list-style-type: none"> <li>• for short-circuit protection of the main circuit required</li> <li>• for short-circuit protection of the auxiliary switch required</li> </ul>   | fuse gL/gG: 40 A<br>fuse gL/gG: 10 A                                    |
| <b>operational current of upstream fuse rated value</b>  | 40 A  |
| <b>according UL</b>  |   |
| <b>operational current at AC according to UL 508/UL 60947-4-1 rated value</b>  | 40 A  |
| <b>operating voltage at AC at 50/60 Hz according to UL 508/UL 60947-4-1 rated value</b>  | 600 V   |
| <b>active power [hp] at AC at 480 V according to UL 508/UL 60947-4-1 rated value</b>   | 20  |
| <b>active power [hp] at AC at 600 V according to UL 508/UL 60947-4-1 rated value</b>   | 20  |

|   |      |
|---|------|
| short-time withstand current (SCCR) at 600 V according to UL 508/UL 60947-4-1 | 5 kA |
| continuous current of upstream fuse according to UL rated value               | 50 A |
| type of fuse according to UL  | RK5  |

### Connections

|   |  |
|---|--|
| AWG number as coded connectable conductor cross section solid maximum | 6<br>14  |
| type of connectable conductor cross-sections for copper conductor     | 1x (2.5 to 16 mm <sup>2</sup> )<br>1x (2.5...16 mm <sup>2</sup> )<br>1x (2.5 to 16 mm <sup>2</sup> )   |
| type of connectable conductor cross-sections for auxiliary contacts   | 2x (0.75 ... 2.5 mm <sup>2</sup> ), 1x 4 mm <sup>2</sup><br>2x (0.75 ... 1.5 mm <sup>2</sup> ), 1x 2.5 mm <sup>2</sup><br>2x (0.75 ... 2.5 mm <sup>2</sup> ), 1x 4 mm <sup>2</sup> |
| type of electrical connection   | box terminal<br>Box terminals  |

### Mechanical Design

|                  |                                     |
|------------------|-------------------------------------|
| height           | 60 mm                               |
| width            | 36 mm                               |
| depth            | 380 mm                              |
| type of device   | fixed mounting                      |
| fastening method | Built-in unit fixed-mounted version |
| fastening method | No<br>Yes<br>Yes                    |
| Net Weight       | 330 g                               |

### Environmental conditions

|                                      |                 |
|--------------------------------------|-----------------|
| ambient temperature during operation | -25 °C<br>55 °C |
| ambient temperature during storage   | -25 °C<br>55 °C |

### Approvals Certificates

|                          |       |
|--------------------------|-------|
| General Product Approval | other |
|--------------------------|-------|



[Confirmation](#)

|       |             |
|-------|-------------|
| other | Environment |
|-------|-------------|



[Environmental Confirmations](#)

[Environmental Confirmations](#)

### Further information

Information on the packaging  
<https://support.industry.siemens.com/cs/ww/en/view/109813875>  
 Information for data generation and storage  
<https://support.industry.siemens.com/cs/ww/en/view/109995012>  
 Information- and Downloadcenter (Catalogs, Brochures,...)  
<https://www.siemens.com/lowvoltage/catalogs>

Industry Mall (Online ordering system)

<https://mall.industry.siemens.com/mall/en/en/Catalog/product?mlfb=3LD3340-0TK13>

Service&Support (Manuals, Certificates, Characteristics, FAQs,...)

<https://support.industry.siemens.com/cs/ww/en/ps/3LD3340-0TK13>

Image database (product images, 2D dimension drawings, 3D models, device circuit diagrams, ...)

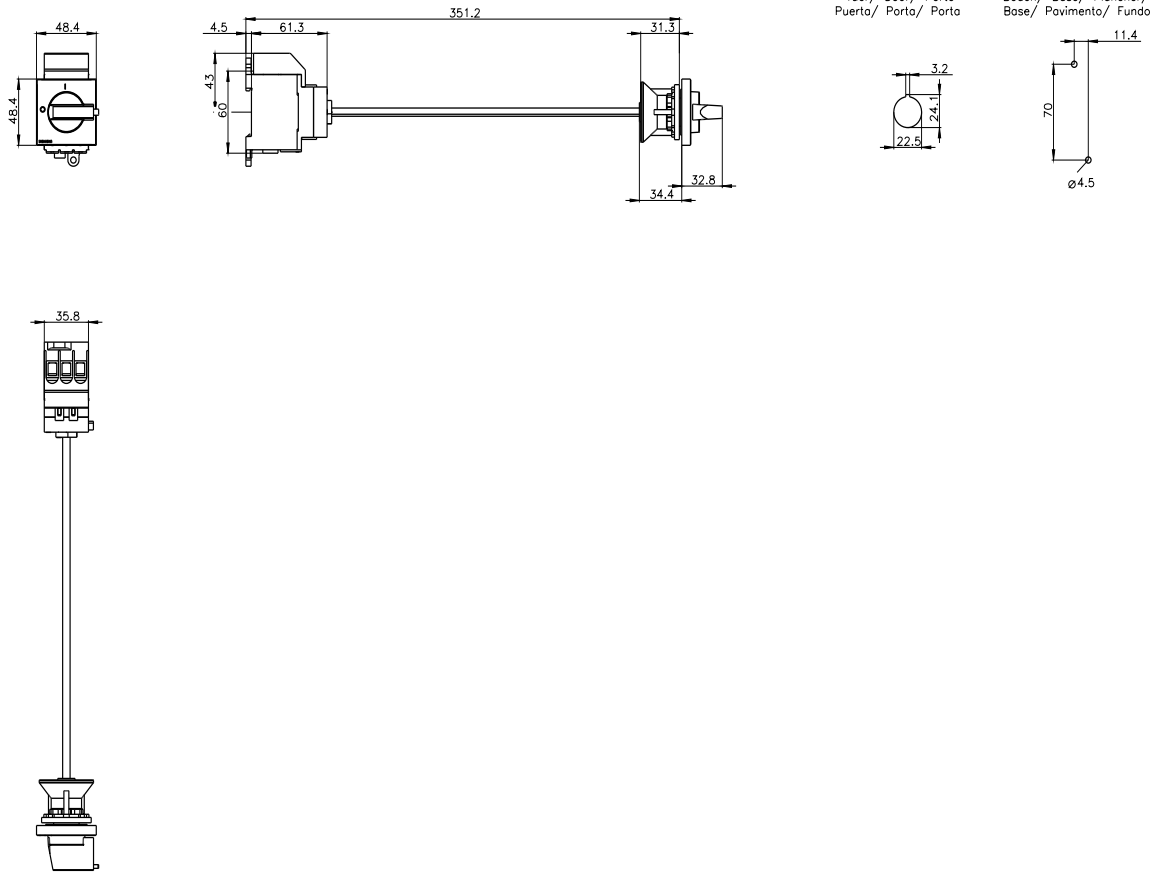
[https://www.automation.siemens.com/bilddb/cax\\_en.aspx?mlfb=3LD3340-0TK13](https://www.automation.siemens.com/bilddb/cax_en.aspx?mlfb=3LD3340-0TK13)

CAX-Online-Generator

<https://www.siemens.com/cax>

Tender specifications

<https://www.siemens.com/specifications>



last modified:

10/14/2025 

