



Load disconnecter 3LD3, Iu 63 A Main switch 3-pole + N Rated operating capacity at AC-23 A at 400V 22.0 kW floor mounting Basic switch with door coupling Central hole mounting 22.5mm Rotating drive black 66 x 66 mm

| Model | |
|---|-----------------------------------|
| product brand name | SETRON |
| product designation | Switch disconnecter |
| design of the product | Main switch |
| display version for switch position indicator manual operation | 1 ON - 0 OFF |
| type of switch | Floor mounting with door coupling |
| design of the actuating element | Short rotary knob |
| color of the actuating element | black |
| design of handle | rotary operating mechanism, black |
| type of the driving mechanism motor drive | No |
| General technical data | |
| number of poles | 4 |
| number of poles note | 4 |
| mechanical service life (operating cycles) typical | 100 000 |
| electrical endurance (operating cycles) | |
| • at AC-23 A at 690 V | 6 000 |
| operating frequency maximum | 50 1/h |
| degree of pollution | 3 |
| Voltage | |
| insulation voltage rated value | 690 V |
| surge voltage resistance rated value | 6 kV |
| operating voltage | |
| • at AC rated value | 690 V |
| operating frequency rated value | |
| • minimum | 50 Hz |
| • maximum | 60 Hz |
| Protection class | |
| protection class IP | IP65 |
| degree of protection NEMA rating | 1, 3R, 4X, 12 |
| protection class IP on the front | IP65 |
| Dissipation | |
| power loss [W] for rated value of the current at AC in hot operating state per pole | 4.5 W |
| Main circuit | |
| operational current | |
| • at AC-21 at 690 V rated value | 63 A |
| • at AC-21 A at 240 V rated value | 63 A |
| • at AC-21 A at 400 V rated value | 63 A |
| • at AC-21 A at 440 V rated value | 63 A |

| | |
|---|--------------------------------|
| <ul style="list-style-type: none"> at AC-23 A at 400 V rated value | 43 A |
| operating power | |
| <ul style="list-style-type: none"> at AC-23 A at 240 V rated value | 11 kW |
| <ul style="list-style-type: none"> at AC-23 A at 400 V rated value | 22 kW |
| <ul style="list-style-type: none"> at AC-23 A at 440 V rated value | 22 kW |
| <ul style="list-style-type: none"> at AC-23 A at 690 V rated value | 19 kW |
| <ul style="list-style-type: none"> at AC-3 at 240 V rated value | 11 kW |
| <ul style="list-style-type: none"> at AC-3 at 400 V rated value | 19 kW |
| <ul style="list-style-type: none"> at AC-3 at 690 V rated value | 15 kW |
| Auxiliary circuit | |
| number of CO contacts for auxiliary contacts | 0 |
| number of NC contacts for auxiliary contacts | 0 |
| number of NO contacts for auxiliary contacts | 0 |
| operating voltage of auxiliary contacts at AC maximum | 500 V |
| continuous current of the auxiliary contact rated value | 10 A |
| insulation voltage of the auxiliary switch rated value | 500 V |
| Suitability | |
| suitability for use main switch | Yes |
| suitability for use switch disconnecter | Yes |
| suitability for use EMERGENCY OFF switch | No |
| suitability for use safety switch | Yes |
| suitability for use maintenance/repair switch | Yes |
| Product details | |
| special product feature | Can be locked in zero position |
| product feature can be locked into OFF position | Yes |
| Accessories | |
| product extension optional | |
| <ul style="list-style-type: none"> motor drive | No |
| <ul style="list-style-type: none"> voltage trigger | No |
| number of connectable NC contacts for auxiliary contacts attachable maximum | 2 |
| number of connectable NO contacts for auxiliary contacts attachable maximum | 4 |
| number of connectable CO contacts for auxiliary contacts attachable maximum | 0 |
| number of bracket locks maximum | 2 |
| hasp thickness of the bracket locks | 4 ... 6 mm |
| Short circuit | |
| conditional short-circuit current with line-side fuse protection | |
| <ul style="list-style-type: none"> at 440 V by gG fuse rated value | 10 kA |
| <ul style="list-style-type: none"> at 690 V by gG fuse rated value | 6 kA |
| let-through current with closed switch | |
| <ul style="list-style-type: none"> at 240 V for combination switch + gG fuse maximum | 6 kA |
| <ul style="list-style-type: none"> at 440 V for combination switch + gG fuse maximum | 6 kA |
| <ul style="list-style-type: none"> at 690 V for combination switch + gG fuse maximum permissible | 6 kA |
| I²t value with closed switch | |
| <ul style="list-style-type: none"> at 240 V for combination switch + gG fuse maximum | 21 kA ² .s |
| <ul style="list-style-type: none"> at 440 V for combination switch + gG fuse maximum | 21 kA ² .s |
| <ul style="list-style-type: none"> at 690 V for combination switch + gG fuse maximum | 21 kA ² .s |
| design of the fuse link | |
| <ul style="list-style-type: none"> for short-circuit protection of the main circuit required | fuse gL/gG: 63 A |
| <ul style="list-style-type: none"> for short-circuit protection of the auxiliary switch required | fuse gL/gG: 10 A |
| operational current of upstream fuse rated value | 63 A |
| according UL | |
| operational current at AC according to UL 508/UL 60947-4-1 rated value | 63 A |
| operating voltage at AC at 50/60 Hz according to UL 508/UL 60947-4-1 rated value | 600 V |
| active power [hp] at AC at 480 V according to UL 508/UL 60947-4-1 rated value | 25 |
| active power [hp] at AC at 600 V according to UL 508/UL | 30 |

| | |
|---|------|
| 60947-4-1 rated value | |
| short-time withstand current (SCCR) at 600 V according to UL 508/UL 60947-4-1 | 5 kA |
| continuous current of upstream fuse according to UL rated value | 50 A |
| type of fuse according to UL | RK5 |

Connections

| | |
|---|--|
| AWG number as coded connectable conductor cross section solid maximum | |
| • | 6 |
| • | 14 |
| type of connectable conductor cross-sections for copper conductor | |
| • solid | 1x (2.5 to 16 mm ²) |
| • finely stranded with core end processing | 1x (2.5...16 mm ²) |
| • stranded | 1x (2.5 to 16 mm ²) |
| type of connectable conductor cross-sections for auxiliary contacts | |
| • solid | 2x (0.75 ... 2.5 mm ²), 1x 4 mm ² |
| • finely stranded with core end processing | 2x (0.75 ... 1.5 mm ²), 1x 2.5 mm ² |
| • stranded | 2x (0.75 ... 2.5 mm ²), 1x 4 mm ² |
| type of electrical connection | |
| • for main current circuit | box terminal |
| • for auxiliary contacts | Box terminals |

Mechanical Design

| | |
|--|-------------------------------------|
| height | 60 mm |
| width | 49 mm |
| depth | 380 mm |
| type of device | fixed mounting |
| fastening method | Built-in unit fixed-mounted version |
| fastening method | |
| • 4-hole front mounting | No |
| • front mounting with central attachment | Yes |
| • rail mounting | Yes |
| Net Weight | 386 g |

Environmental conditions

| | |
|--------------------------------------|--------|
| ambient temperature during operation | |
| • minimum | -25 °C |
| • maximum | 55 °C |
| ambient temperature during storage | |
| • minimum | -25 °C |
| • maximum | 55 °C |

Approvals Certificates

| | |
|--------------------------|-------|
| General Product Approval | other |
|--------------------------|-------|



| | |
|-------|-------------|
| other | Environment |
|-------|-------------|

[Confirmation](#)

[Environmental Con-
firmations](#)

[Environmental Con-
firmations](#)

Further information

Information on the packaging

<https://support.industry.siemens.com/cs/ww/en/view/109813875>

Information for data generation and storage

<https://support.industry.siemens.com/cs/ww/en/view/109995012>

[Information- and Downloadcenter \(Catalogs, Brochures,...\)](#)

<https://www.siemens.com/lowvoltage/catalogs>

Industry Mall (Online ordering system)

<https://mall.industry.siemens.com/mall/en/en/Catalog/product?mlfb=3LD3448-0TL51>

Service&Support (Manuals, Certificates, Characteristics, FAQs,...)

<https://support.industry.siemens.com/cs/ww/en/ps/3LD3448-0TL51>

Image database (product images, 2D dimension drawings, 3D models, device circuit diagrams, ...)

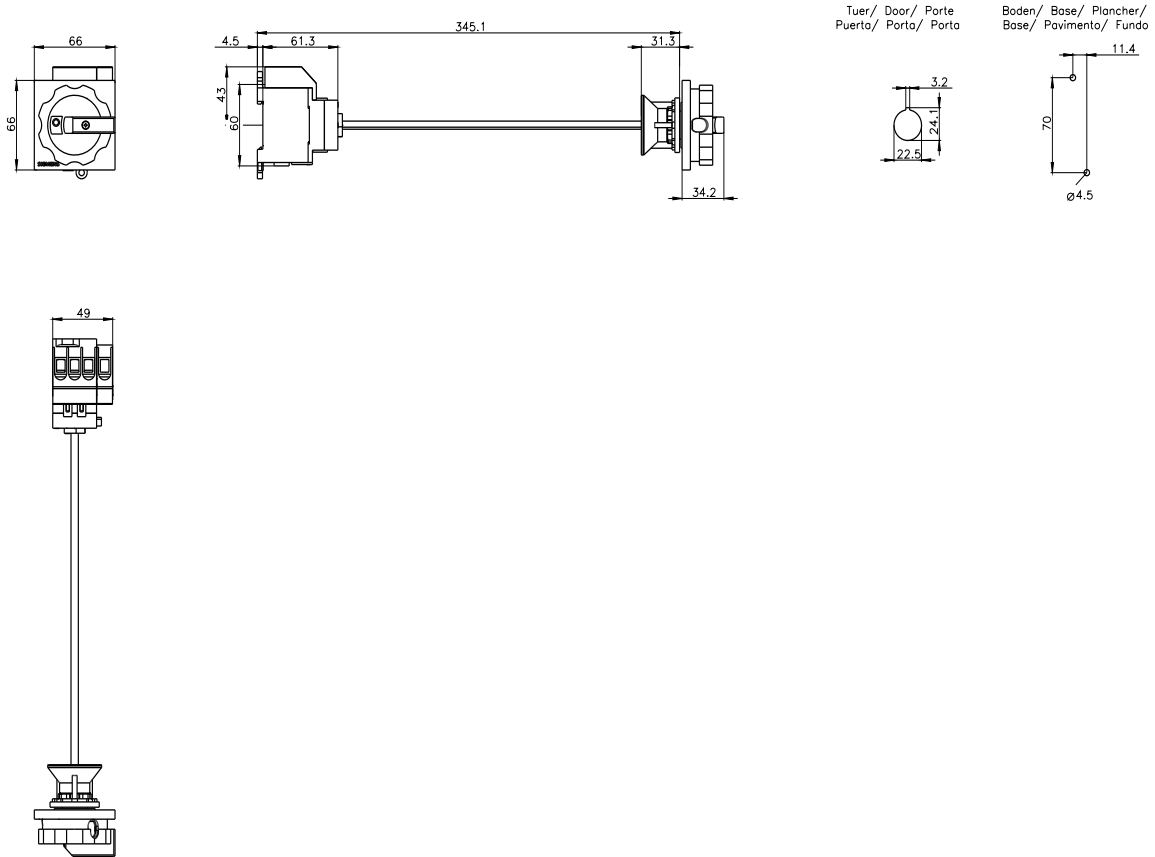
https://www.automation.siemens.com/bilddb/cax_en.aspx?mlfb=3LD3448-0TL51

CAX-Online-Generator

<https://www.siemens.com/cax>

Tender specifications

<https://www.siemens.com/specifications>



last modified:

10/14/2025

