

Supplementary handle for door mounted rotary operating mechanism, Standard, to 150A accessory for molded case switch 3LD5 UL



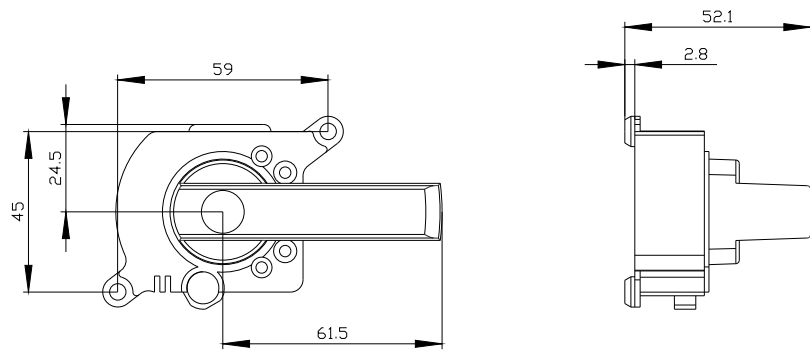
Model	
product brand name	SETRON
product designation	Supplementary handle for door mounted rotary operator
design of the product	accessories for 3LD54, 3LD56 and 3LD58 switch disconnectors
product feature can be locked into OFF position	Yes
Accessories	
accessories	standard
Mechanical Design	
Net Weight	68 g
Approvals Certificates	
General Product Approval	other



other	Environment
<a href="#">Confirmation</a>	<a href="#">Environmental Confirmations</a>
	<a href="#">Environmental Confirmations</a>

### Further information

Information on the packaging  
<https://support.industry.siemens.com/cs/ww/en/view/109813875>  
 Information for data generation and storage  
<https://support.industry.siemens.com/cs/ww/en/view/109995012>  
 Information- and Downloadcenter (Catalogs, Brochures,...)  
<http://www.siemens.com/lowvoltage/catalogs>  
 Industry Mall (Online ordering system)  
<https://mall.industry.siemens.com/mall/en/en/Catalog/product?mlfb=3LD9247-1C>  
 Service&Support (Manuals, Certificates, Characteristics, FAQs,...)  
<https://support.industry.siemens.com/cs/ww/en/ps/3LD9247-1C>  
 Image database (product images, 2D dimension drawings, 3D models, device circuit diagrams, ...)  
[http://www.automation.siemens.com/bilddb/cax\\_en.aspx?mlfb=3LD9247-1C](http://www.automation.siemens.com/bilddb/cax_en.aspx?mlfb=3LD9247-1C)  
 CAx-Online-Generator  
<http://www.siemens.com/cax>  
 Tender specifications  
<https://www.siemens.com/specifications>



---

last modified:

4/12/2025 