



rotary operating mechanism, actuating lever Red / yellow, for center-hole Front mounting, for 63 A to 125 A, accessory for main and emergency switching-off switch 3LD2

Model	
product brand name	SENTRON
product designation	Rotary operators
design of the product	accessories for 3LD2 main and EMERGENCY-STOP switches
degree of protection NEMA rating	1, 3R, 4X, 12
suitability for use switch disconnecter	Yes
suitability for use circuit breaker	No
suitability for use EMERGENCY OFF switch	Yes
color	red / yellow
• of the actuating element	red / yellow
product feature can be locked in ON position	No
• Product component with axis	No
• product component restart inhibit function block	No
• product component padlock locking mechanism	No
• product component key lock	No
product feature can be locked into OFF position	Yes
number of bracket locks maximum	3
hasp thickness of the bracket locks	4 ... 8 mm
Net Weight	150 g

Approvals Certificates		
General Product Approval	other	Environment



[Confirmation](#)

[Environmental Confirmations](#)

Environment

[Environmental Confirmations](#)

Further information

Information on the packaging
<https://support.industry.siemens.com/cs/ww/en/view/109813875>
 Information for data generation and storage
<https://support.industry.siemens.com/cs/ww/en/view/109995012>
 Information- and Downloadcenter (Catalogs, Brochures,...)

<https://www.siemens.com/lowvoltage/catalogs>

Industry Mall (Online ordering system)

<https://mall.industry.siemens.com/mall/en/en/Catalog/product?mlfb=3LD9284-3D>

Service&Support (Manuals, Certificates, Characteristics, FAQs,...)

<https://support.industry.siemens.com/cs/ww/en/ps/3LD9284-3D>

Image database (product images, 2D dimension drawings, 3D models, device circuit diagrams, ...)

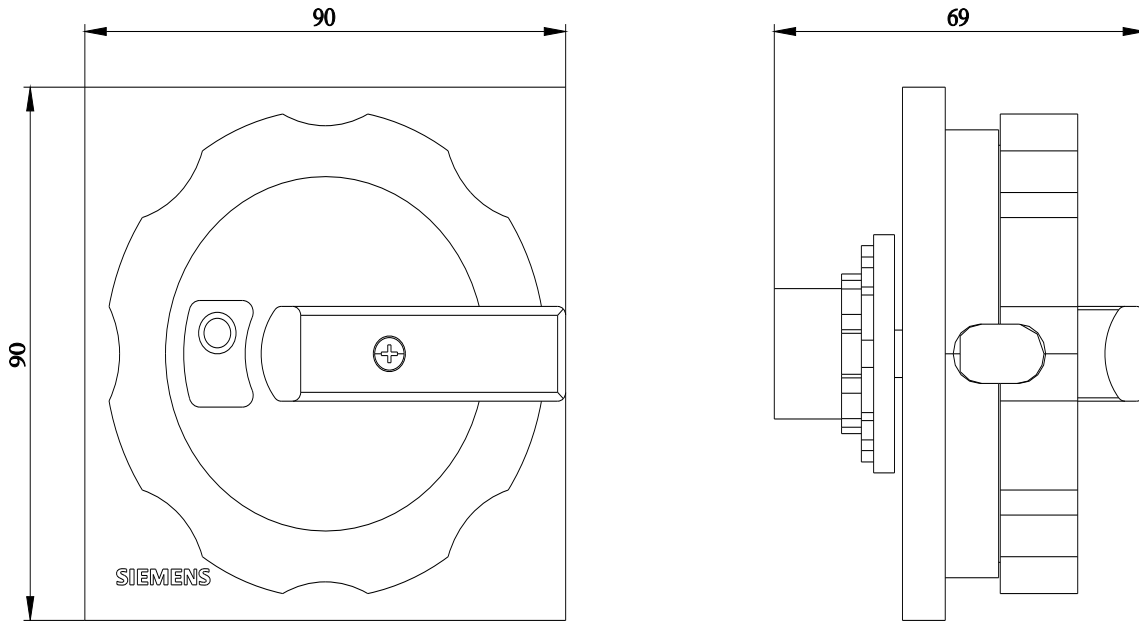
https://www.automation.siemens.com/bilddb/cax_en.aspx?mlfb=3LD9284-3D

CAX-Online-Generator

<https://www.siemens.com/cax>

Tender specifications

<https://www.siemens.com/specifications>



last modified:

10/25/2025

