

Supplementary handle for door mounted rotary operating mechanism, Standard, up to 30A accessory for molded case switch 3LD5 UL



Model	
product brand name	SETRON
product designation	Supplementary handle for door mounted rotary operator
design of the product	accessories for 3LD50 switch disconnectors
product feature can be locked into OFF position	Yes
Accessories	
accessories	standard
Mechanical Design	
Net Weight	66 g
Approvals Certificates	
General Product Approval	other

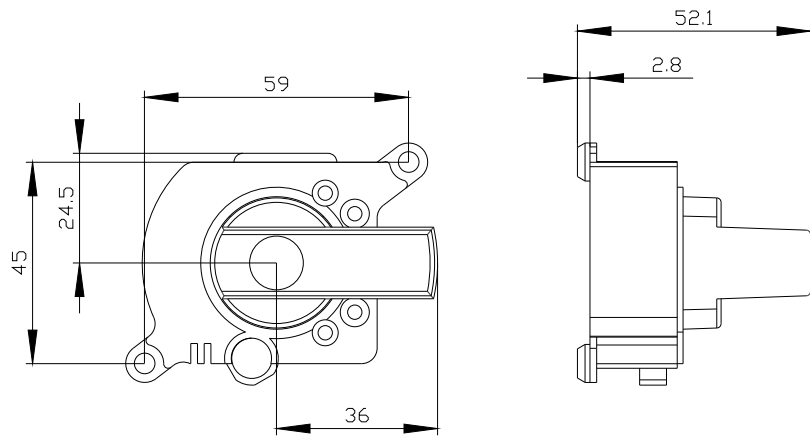


[Confirmation](#)

other	Environment
	Environmental Conformations
	Environmental Conformations

Further information

- Information on the packaging
<https://support.industry.siemens.com/cs/ww/en/view/109813875>
- Information for data generation and storage
<https://support.industry.siemens.com/cs/ww/en/view/109995012>
- Information- and Downloadcenter (Catalogs, Brochures,...)
<http://www.siemens.com/lowvoltage/catalogs>
- Industry Mall (Online ordering system)
<https://mall.industry.siemens.com/mall/en/en/Catalog/product?mlfb=3LD9287-1C>
- Service&Support (Manuals, Certificates, Characteristics, FAQs,...)
<https://support.industry.siemens.com/cs/ww/en/ps/3LD9287-1C>
- Image database (product images, 2D dimension drawings, 3D models, device circuit diagrams, ...)
http://www.automation.siemens.com/bilddb/cax_en.aspx?mlfb=3LD9287-1C
- CAX-Online-Generator
<http://www.siemens.com/cax>
- Tender specifications
<https://www.siemens.com/specifications>



last modified:

4/12/2025 

