



selector switch, black 48x48 mm Front plate mounting Central hole mounting 22.5mm with coupling part for shaft 6x6 mm, accessory for Load disconnecter 3LD3

| Model | |
|--|------------|
| product brand name | SETRON |
| product designation | knob |
| degree of protection NEMA rating | no |
| suitability for use switch disconnecter | Yes |
| suitability for use circuit breaker | No |
| suitability for use EMERGENCY OFF switch | No |
| color | black |
| • of the actuating element | black |
| product feature can be locked in ON position | No |
| • Product component with axis | No |
| • product component restart inhibit function block | No |
| • product component padlock locking mechanism | No |
| • product component key lock | No |
| product feature can be locked into OFF position | Yes |
| number of bracket locks maximum | 2 |
| hasp thickness of the bracket locks | 4 ... 6 mm |
| Net Weight | 74 g |

| Approvals Certificates | | |
|--------------------------|-------|-------------|
| General Product Approval | other | Environment |



[Confirmation](#)

[Environmental Confirmations](#)

Environment

[Environmental Confirmations](#)

Further information

Information on the packaging
<https://support.industry.siemens.com/cs/ww/en/view/109813875>
 Information for data generation and storage
<https://support.industry.siemens.com/cs/ww/en/view/109995012>
 Information- and Downloadcenter (Catalogs, Brochures,...)
<https://www.siemens.com/lowvoltage/catalogs>

Industry Mall (Online ordering system)

<https://mall.industry.siemens.com/mall/en/en/Catalog/product?mlfb=3LD9343-4C>

Service&Support (Manuals, Certificates, Characteristics, FAQs,...)

<https://support.industry.siemens.com/cs/ww/en/ps/3LD9343-4C>

Image database (product images, 2D dimension drawings, 3D models, device circuit diagrams, ...)

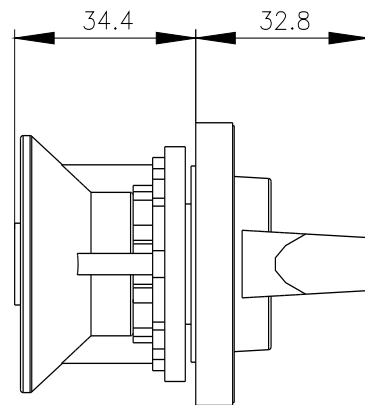
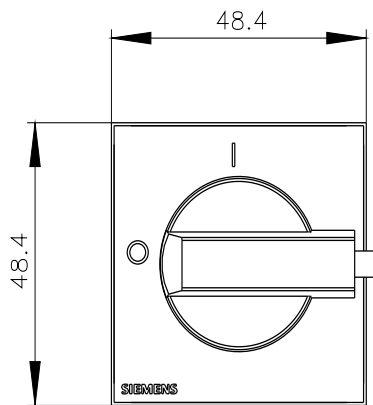
https://www.automation.siemens.com/bilddb/cax_en.aspx?mlfb=3LD9343-4C

CAX-Online-Generator

<https://www.siemens.com/cax>

Tender specifications

<https://www.siemens.com/specifications>



last modified:

10/25/2025 

