

additional label without inscription for 3LD3 switch disconnectors



Model		
product brand name	SENTRON	
product designation	Additional label without inscription	
design of the product	for 3LD3 switch disconnector (10 unit pack)	
Accessories		
accessories	Additional label without inscription	
Mechanical Design		
Net Weight	5 g	
Approvals Certificates		
General Product Approval	other	Environment



[Confirmation](#)

[Environmental Confirmations](#)

## Environment

[Environmental Confirmations](#)

## Further information

### Information on the packaging

<https://support.industry.siemens.com/cs/ww/en/view/109813875>

### Information for data generation and storage

<https://support.industry.siemens.com/cs/ww/en/view/109995012>

### Information- and Downloadcenter (Catalogs, Brochures,...)

<http://www.siemens.com/lowvoltage/catalogs>

### Industry Mall (Online ordering system)

<https://mall.industry.siemens.com/mall/en/en/Catalog/product?mlfb=3LD9346-3A>

### Service&Support (Manuals, Certificates, Characteristics, FAQs,...)

<https://support.industry.siemens.com/cs/ww/en/ps/3LD9346-3A>

### Image database (product images, 2D dimension drawings, 3D models, device circuit diagrams, ...)

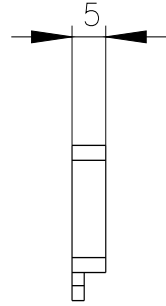
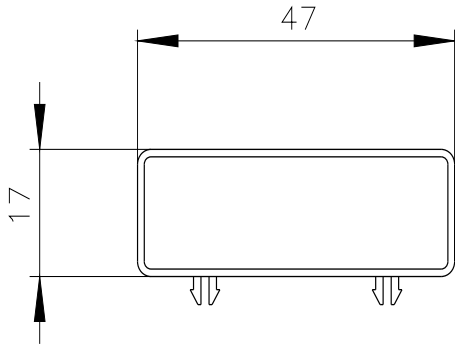
[http://www.automation.siemens.com/bilddb/cax\\_en.aspx?mlfb=3LD9346-3A](http://www.automation.siemens.com/bilddb/cax_en.aspx?mlfb=3LD9346-3A)

### CAX-Online-Generator

<http://www.siemens.com/cax>

### Tender specifications

<https://www.siemens.com/specifications>



---

last modified:

4/12/2025 

