



LV HRC fuse element, NH000, In: 2 A, gG, Un AC: 500 V, Un DC: 250 V, Front indicator, live grip lugs

Model	
product brand name	SETRON
product designation	LV HRC fuse link
design of the product	With blade contacts
design of an identification indicator	Front indicators
design of the switching contact	Non-corroding, silver-plated
design of the fuse link	LV HRC fuse link
General technical data	
size of fuse system according to EN 60269-1	NH000
operating class of the fuse link	gG
mounting type	non-insulated grip lugs
type of voltage of the operating voltage	AC/DC
operational current at AC rated value	2 A
supply voltage	
• at AC	500 V
• at DC	250 V
Protection class	
protection class IP	IP20, with connected conductors
Breaking Capacity	
breaking capacity at AC according to IEC 60269 rated value	120 kA
breaking capacity at DC with time constant $\leq 10$ ms according to IEC 60269 rated value	25 kA
Dissipation	
power loss [W]	1.3 W
power loss [W] for rated value of the current at AC in hot operating state per pole	1 W
Mechanical Design	
width of the enclosure	21 mm
mounting position	Any, preferably vertical
Net Weight	130 g
Environmental conditions	
ambient temperature during operation	
• minimum	-5 °C
• maximum	40 °C
environmental category	-20 to +50 at 95% relative humidity
environmental category during storage	90% at 20°C
Environmental footprint	
Environmental Product Declaration(EPD)	Yes
global warming potential [CO2 eq] total	8.16 kg
global warming potential [CO2 eq] during manufacturing	1.42 kg

global warming potential [CO2 eq] during operation	6.79 kg
global warming potential [CO2 eq] after end of life	-0.086 kg

#### Certificates

reference code according to IEC 81346-2	FC
---	----

#### Approvals Certificates

General Product Approval	Test Certificates	Maritime application
--------------------------	-------------------	----------------------



[Special Test Certificate](#)



other	Environment
-------	-------------



[Confirmation](#)

[Miscellaneous](#)



[Environmental Confirmations](#)

[Environmental Confirmations](#)

#### Further information

##### Information on the packaging

<https://support.industry.siemens.com/cs/ww/en/view/109813875>

##### Information for data generation and storage

<https://support.industry.siemens.com/cs/ww/en/view/109995012>

##### Information- and Downloadcenter (Catalogs, Brochures,...)

<http://www.siemens.com/lowvoltage/catalogs>

##### Industry Mall (Online ordering system)

<https://mall.industry.siemens.com/mall/en/en/Catalog/product?mlfb=3NA3802>

##### Service&Support (Manuals, Certificates, Characteristics, FAQs,...)

<https://support.industry.siemens.com/cs/ww/en/ps/3NA3802>

##### Image database (product images, 2D dimension drawings, 3D models, device circuit diagrams, ...)

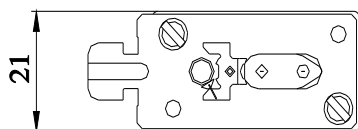
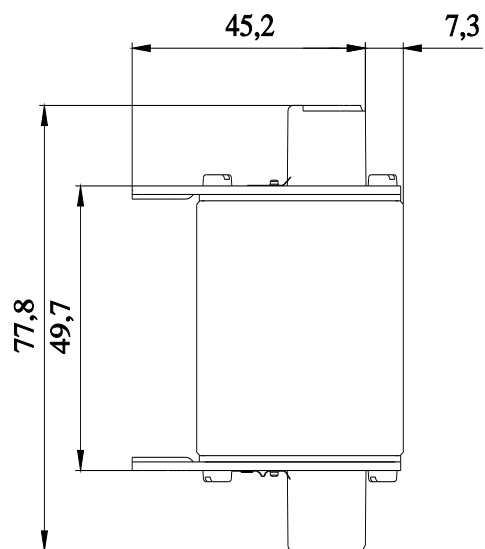
[http://www.automation.siemens.com/bilddb/cax\\_en.aspx?mlfb=3NA3802](http://www.automation.siemens.com/bilddb/cax_en.aspx?mlfb=3NA3802)

##### CAX-Online-Generator

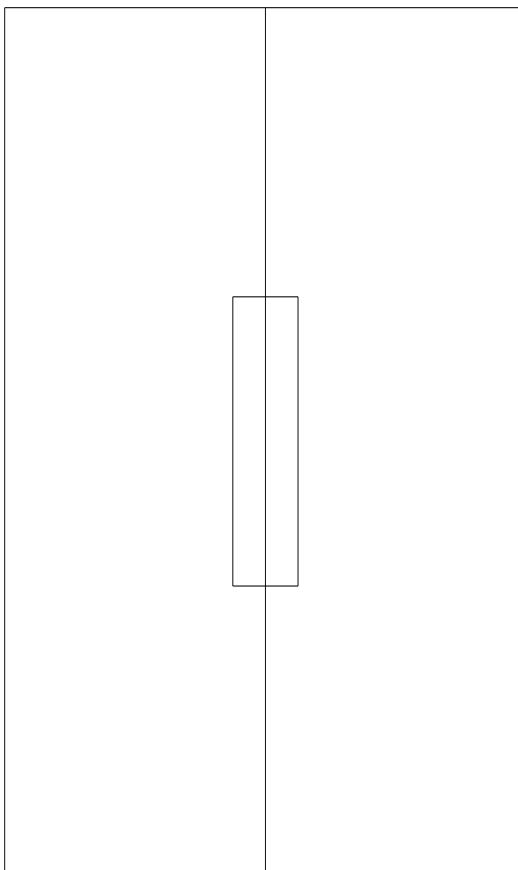
<http://www.siemens.com/cax>

##### Tender specifications

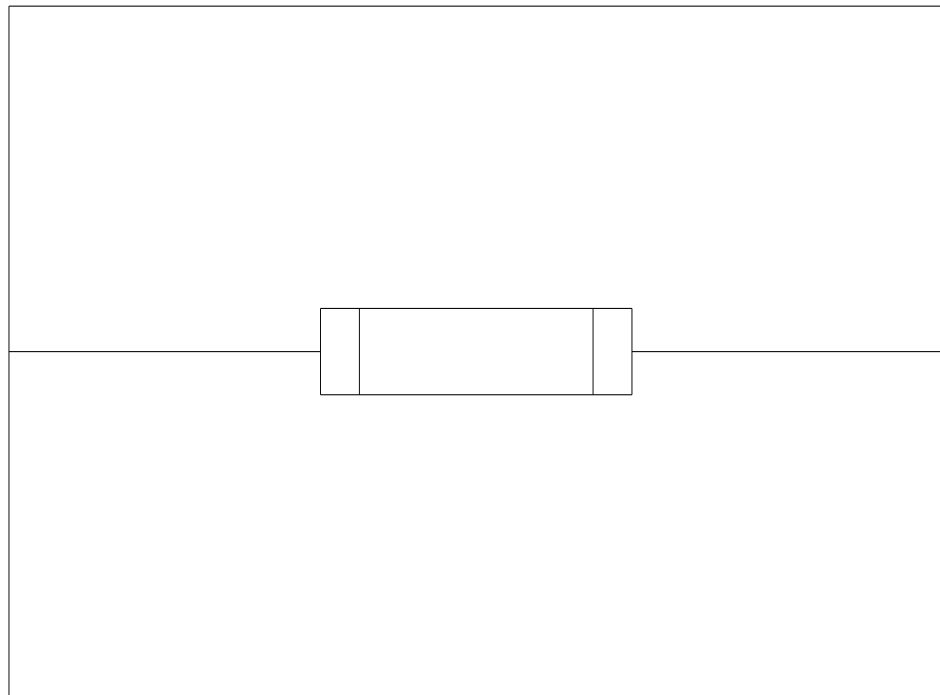
<https://www.siemens.com/specifications>



**-F**



# FU



---

last modified:

10/11/2025 

