



SITOR fuse size 2 500A aR 440V dc/500V VSI 500V dc UL @MBC 6xIn blade contacts

| Model | | |
|--|-------------------------------------|-------------|
| product brand name | SETRON | |
| product designation | SITOR fuse link | |
| design of the product | with blade contacts without slots | |
| design of an identification indicator | with front indicator | |
| design of the fuse link | SITOR, LV HRC design | |
| General technical data | | |
| size of fuse system according to EN 60269-1 | NH2 | |
| operating class of the fuse link | aR | |
| type of voltage of the operating voltage | DC | |
| Supply voltage | | |
| supply voltage | | |
| • at DC | 440 V | |
| Breaking Capacity | | |
| switching capacity current | | |
| • at DC according to IEC 60947-2 rated value | 100 kA | |
| • according to IEC 60947-2 rated value | 100 kA | |
| Dissipation | | |
| power loss [W] | 77.5 W | |
| power loss [W] | | |
| • for rated value of the current at AC in hot operating state per pole | 77.5 W | |
| • maximum | 77.5 W | |
| Product details | | |
| product description | with blade contacts, silver-plated | |
| accessories included | no | |
| Mechanical Design | | |
| mounting position | Any, preferably vertical | |
| Net Weight | 597 g | |
| Environmental conditions | | |
| ambient temperature during operation | | |
| • minimum | -20 °C | |
| • maximum | 50 °C | |
| environmental category | -20 to +50 at 95% relative humidity | |
| Approvals Certificates | | |
| General Product Approval | other | Environment |



Confirmation



Environmental Con-
firmations

Further information

Information on the packaging

<https://support.industry.siemens.com/cs/ww/en/view/109813875>

Information for data generation and storage

<https://support.industry.siemens.com/cs/ww/en/view/109995012>

Information- and Downloadcenter (Catalogs, Brochures,...)

<https://www.siemens.com/lowvoltage/catalogs>

Industry Mall (Online ordering system)

<https://mall.industry.siemens.com/mall/en/en/Catalog/product?mlfb=3NB1237-0KK10>

Service&Support (Manuals, Certificates, Characteristics, FAQs,...)

<https://support.industry.siemens.com/cs/ww/en/ps/3NB1237-0KK10>

Image database (product images, 2D dimension drawings, 3D models, device circuit diagrams, ...)

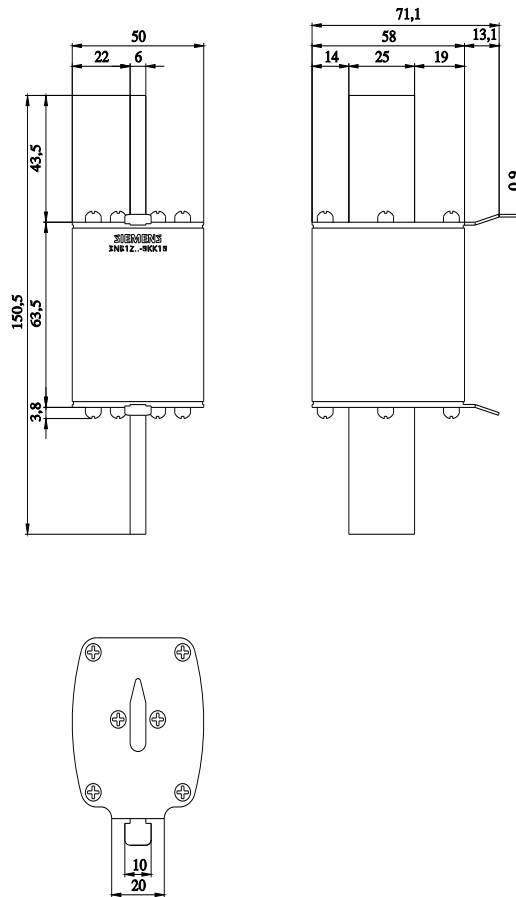
https://www.automation.siemens.com/bilddb/cax_en.aspx?mlfb=3NB1237-0KK10

CAX-Online-Generator

<https://www.siemens.com/cax>

Tender specifications

<https://www.siemens.com/specifications>



last modified:

5/24/2025

