

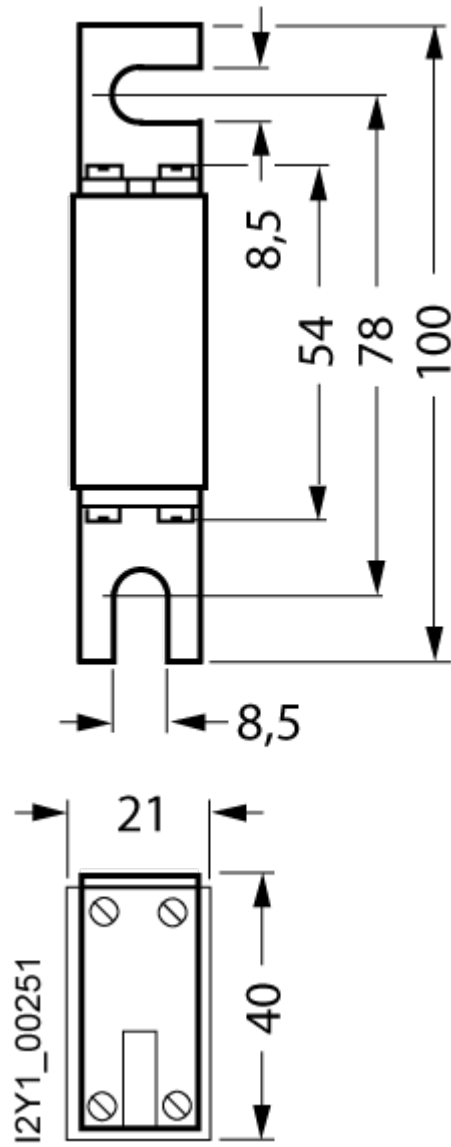


SITOR fuse link, with Bolt-on links, NH000, In: 20 A, gR, Un AC: 690 V, Un DC: 440 V, front indicator

Figure similar

| Model | |
|--|---|
| product brand name | SENTRON |
| product designation | SITOR fuse link |
| design of the product | with angle connector |
| design of an identification indicator | front indicator |
| design of the switching contact | with M8 bolt-on links. mounting dimension: 80 mm. for screwing onto busbars |
| design of the fuse link | SITOR, LV HRC design |
| General technical data | |
| size of fuse system according to EN 60269-1 | NH000 |
| operating class of the fuse link | gR |
| varying load factor (WL) | 0.9 |
| type of voltage of the operating voltage | AC/DC |
| operating voltage at AC according to UL rated value | 690 V |
| Supply voltage | |
| supply voltage | |
| • at AC | 690 V |
| • at DC | 440 V |
| Breaking Capacity | |
| switching capacity current | |
| • at DC according to IEC 60947-2 rated value | 50 kA |
| • according to IEC 60947-2 rated value | 200 kA |
| Dissipation | |
| power loss [W] | 7 W |
| power loss [W] | |
| • for rated value of the current at AC in hot operating state per pole | 7 W |
| • maximum | 7 W |
| Product details | |
| product description | with bolt-on links, silver-plated |
| accessories included | no |
| Mechanical Design | |
| mounting position | Any, preferably vertical |
| Net Weight | 139 g |
| Environmental conditions | |
| ambient temperature during operation | |
| • minimum | -20 °C |
| • maximum | 50 °C |
| environmental category | -20 to +50 at 95% relative humidity |
| Approvals Certificates | |

[Confirmation](#)**Environment**[Environmental Confirmations](#)[Environmental Confirmations](#)**Further information****Information on the packaging**<https://support.industry.siemens.com/cs/ww/en/view/109813875>**Information for data generation and storage**<https://support.industry.siemens.com/cs/ww/en/view/109995012>**Information- and Downloadcenter (Catalogs, Brochures,...)**<http://www.siemens.com/lowvoltage/catalogs>**Industry Mall (Online ordering system)**<https://mall.industry.siemens.com/mall/en/en/Catalog/product?mlfb=3NE8714-1>**Service&Support (Manuals, Certificates, Characteristics, FAQs,...)**<https://support.industry.siemens.com/cs/ww/en/ps/3NE8714-1>**Image database (product images, 2D dimension drawings, 3D models, device circuit diagrams, ...)**http://www.automation.siemens.com/bilddb/cax_en.aspx?mlfb=3NE8714-1**CAX-Online-Generator**<http://www.siemens.com/cax>**Tender specifications**<http://www.siemens.com/specifications>



last modified:

4/11/2025 

