



Neutral terminal base ceramic Sz. 1 250A 690V

Model		
product brand name	SENTRON	
product designation	Neutral terminal base	
design of the product	ceramic	
design of the thread of the nut	M10	
design of the thread of the connection screw	M10	
size of fuse link	LV HRC1	
Main circuit		
operational current rated value	250 A	
connectable conductor cross-section on terminal strip		
• minimum	25 mm ²	
• maximum	150 mm ²	
tightening torque of the screw for securing the equipment maximum	6 N·m	
tightening torque with screw-type terminals maximum	32 N·m	
type of electrical connection	flat connector	
Mechanical Design		
height	200 mm	
depth	64 mm	
fastening method	fixed mounting	
Net Weight	591 g	
Approvals Certificates		
General Product Approval	other	Environment



[Confirmation](#)



[Environmental Confirmations](#)

Further information

Information on the packaging

<https://support.industry.siemens.com/cs/ww/en/view/109813875>

Information for data generation and storage

<https://support.industry.siemens.com/cs/ww/en/view/109995012>

Information- and Downloadcenter (Catalogs, Brochures,...)

<https://www.siemens.com/lowvoltage/catalogs>

Industry Mall (Online ordering system)

<https://mall.industry.siemens.com/mall/en/en/Catalog/product?mlfb=3NG2200>

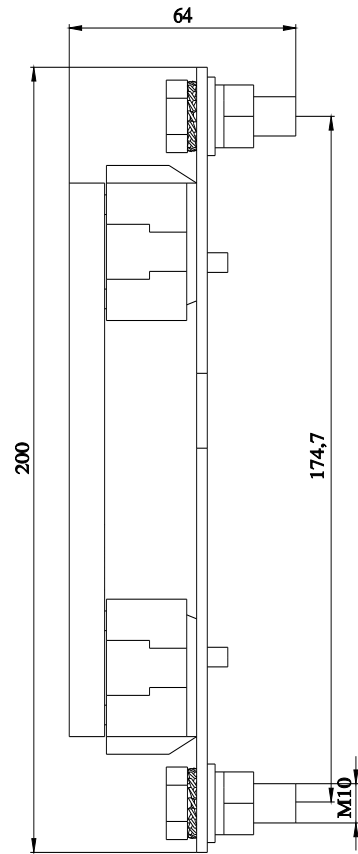
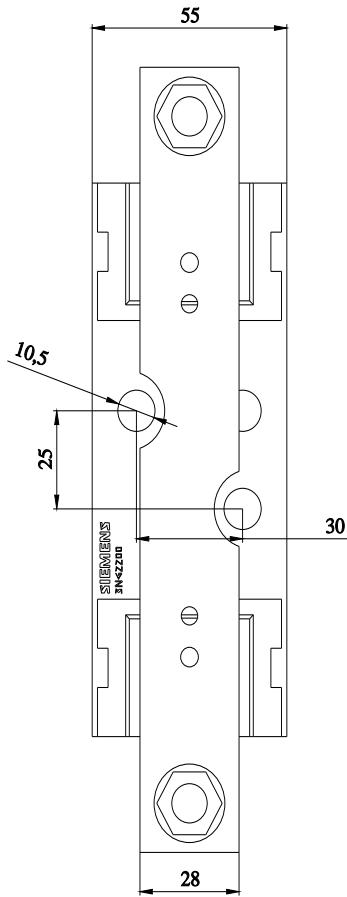
Service&Support (Manuals, Certificates, Characteristics, FAQs,...)

<https://support.industry.siemens.com/cs/ww/en/ps/3NG2200>

Image database (product images, 2D dimension drawings, 3D models, device circuit diagrams, ...)

https://www.automation.siemens.com/bilddb/cax_en.aspx?mlfb=3NG2200

CAX-Online-Generator



last modified:

8/8/2025 

