



LV HRC fuse base Sz. 00, 1-pole 160 A 690 V (1000 V) with flat terminal for snapping onto standard mounting rail

Model	
product brand name	SENTRON
product designation	LV HRC fuse system
design of the product	LV HRC fuse base
design of the thread of the nut	M8
design of the thread of the connection screw	M8
General technical data	
number of poles	1
size of fuse system according to EN 60269-1	NH00
utilization category	Without
Supply voltage	
supply voltage	
• at AC	690 V
• at DC	440 V
Product details	
product component swivel-in mechanism	No
maximum short-circuit current breaking capacity (I _{cu})	
• at AC rated value	120 kA
• at DC rated value	25 kA
Connections	
connectable conductor cross-section on saddle-type connector	
• minimum	6 mm ²
• maximum	70 mm ²
connectable conductor cross-section on terminal strip	
• minimum	1.5 mm ²
• maximum	16 mm ²
connectable conductor cross-section on box terminal	
• minimum	2.5 mm ²
• maximum	50 mm ²
connectable conductor cross-section on plug-type connection	
• minimum	2.5 mm ²
• maximum	50 mm ²
tightening torque of the screw for securing the equipment maximum	2 N·m
tightening torque with screw-type terminals maximum	14 N·m
type of electrical connection	With flat-type terminal
• for main current circuit	flat connector
Mechanical Design	
height	121 mm

width	39 mm
depth	61 mm
fastening method	Modular installation
fastening method bus-mounting	No
Net Weight	138 g

Approvals Certificates

General Product Approval	Test Certificates	Maritime application	other
--------------------------	-------------------	----------------------	-------



[Special Test Certificate](#)



[Confirmation](#)

other	Railway	Environment
-------	---------	-------------

[Miscellaneous](#)

[Confirmation](#)

[Environmental Confirmations](#)

[Environmental Confirmations](#)

Further information

Information on the packaging

<https://support.industry.siemens.com/cs/ww/en/view/109813875>

Information for data generation and storage

<https://support.industry.siemens.com/cs/ww/en/view/109995012>

Information- and Downloadcenter (Catalogs, Brochures,...)

<https://www.siemens.com/lowvoltage/catalogs>

Industry Mall (Online ordering system)

<https://mall.industry.siemens.com/mall/en/en/Catalog/product?mlfb=3NH3051>

Service&Support (Manuals, Certificates, Characteristics, FAQs,...)

<https://support.industry.siemens.com/cs/ww/en/ps/3NH3051>

Image database (product images, 2D dimension drawings, 3D models, device circuit diagrams, ...)

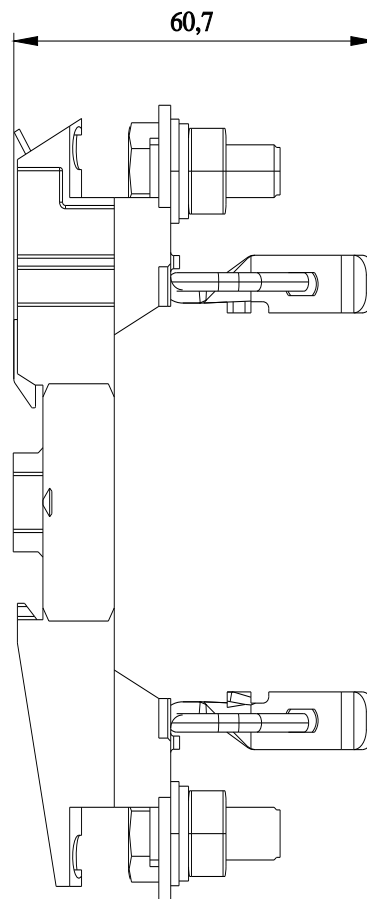
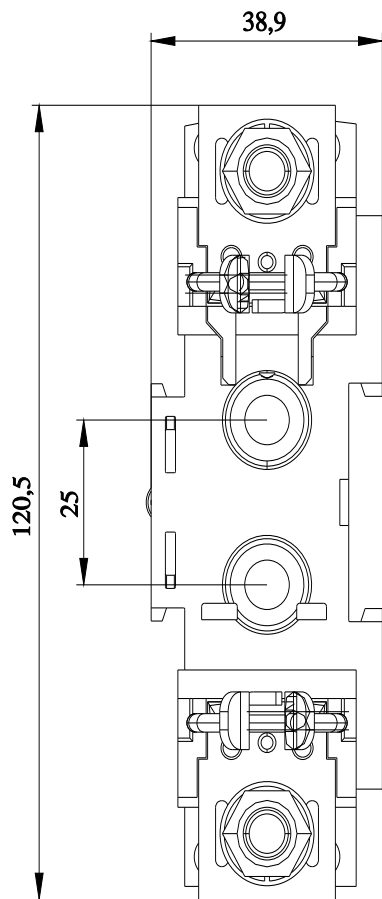
https://www.automation.siemens.com/bilddb/cax_en.aspx?mlfb=3NH3051

CAX-Online-Generator

<https://www.siemens.com/cax>

Tender specifications

<https://www.siemens.com/specifications>



last modified:

4/3/2025 

