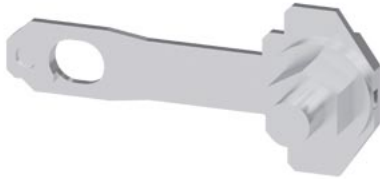


current transformer busbars for 3 current transformers, for size NH1, calibrated transformer



Model		
product brand name	SETRON	
product designation	Current transformer busbars	
design of the product	accessories for 3NJ6 switch disconnectors with fuses	
Accessories		
accessories	current transformer busbars for frame size NH1, for 3 current transformers, feed-through opening 14 mm	
Mechanical Design		
Net Weight	0.422 kg	
Approvals Certificates		
General Product Approval	Test Certificates	other



[Type Test Certificates/Test Report](#)



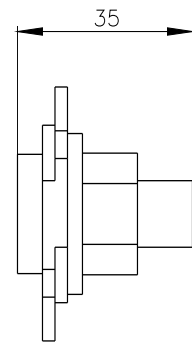
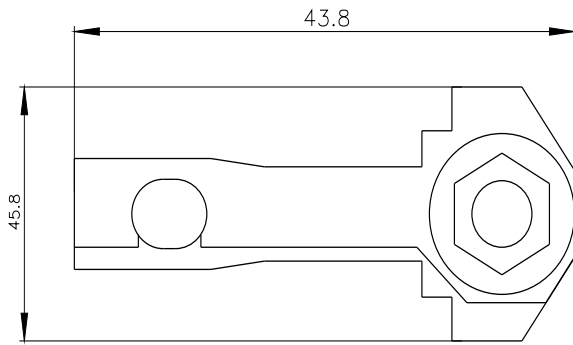
[Confirmation](#)

Environment

[Environmental Confirmations](#)

Further information

- Information on the packaging
<https://support.industry.siemens.com/cs/ww/en/view/109813875>
- Information for data generation and storage
<https://support.industry.siemens.com/cs/ww/en/view/109995012>
- Information- and Downloadcenter (Catalogs, Brochures,...)
<http://www.siemens.com/lowvoltage/catalogs>
- Industry Mall (Online ordering system)
<https://mall.industry.siemens.com/mall/en/en/Catalog/product?mlfb=3NJ6930-3DF00>
- Service&Support (Manuals, Certificates, Characteristics, FAQs,...)
<https://support.industry.siemens.com/cs/ww/en/ps/3NJ6930-3DF00>
- Image database (product images, 2D dimension drawings, 3D models, device circuit diagrams, ...)
http://www.automation.siemens.com/bilddb/cax_en.aspx?mlfb=3NJ6930-3DF00
- CAX-Online-Generator
<http://www.siemens.com/cax>
- Tender specifications
<http://www.siemens.com/specifications>



last modified:

4/12/2025 

