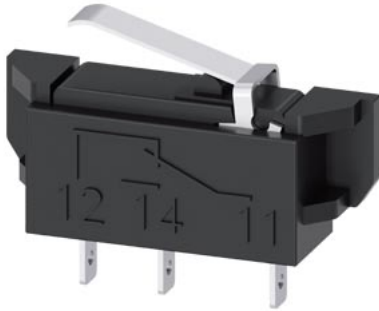


Auxiliary switch, 1 changeover contact, for Size NH000 narrow, accessory for fuse switch disconnecter 3NP1



Model		
product brand name	SETRON	
product designation	auxiliary switch	
design of the product	accessories for 3NP1 fuse switch disconnectors	
Accessories		
accessories	auxiliary switch	
Mechanical Design		
Net Weight	8 g	
Approvals Certificates		
General Product Approval	Test Certificates	Maritime application



[Miscellaneous](#)



[Type Test Certificates/Test Report](#)



other	Environment
-------	-------------



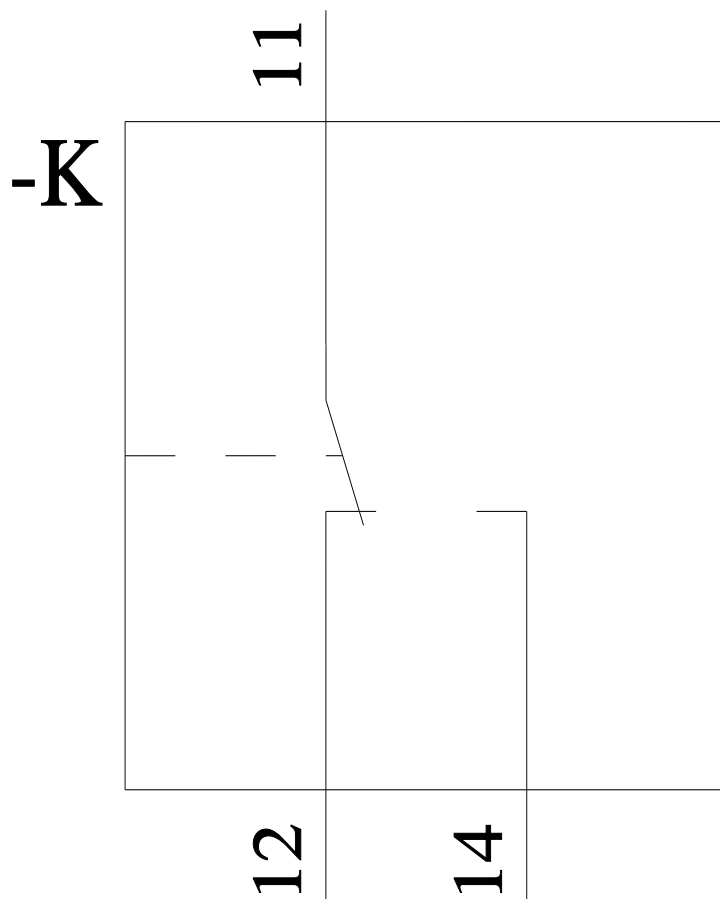
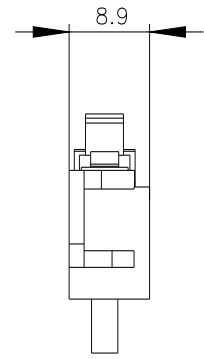
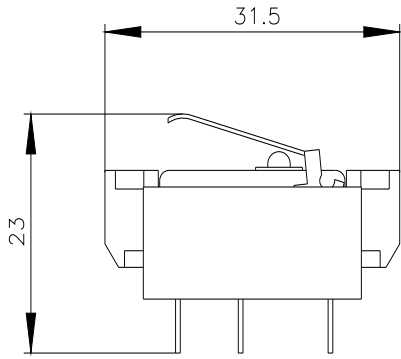
[Confirmation](#)

[Environmental Conformations](#)

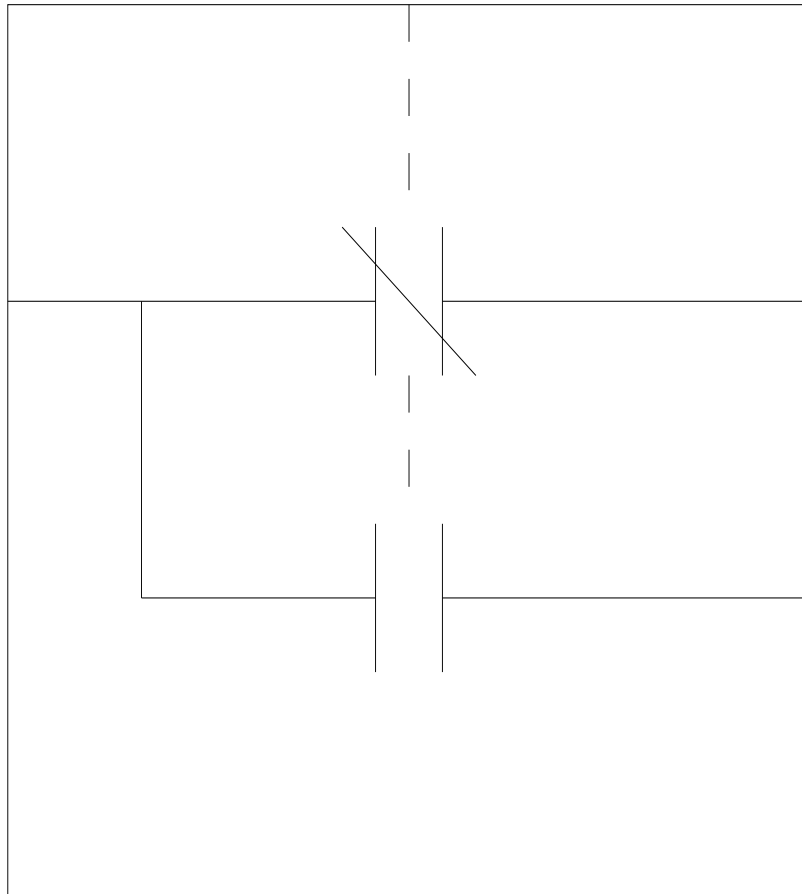
[Environmental Conformations](#)

Further information

- Information on the packaging
<https://support.industry.siemens.com/cs/ww/en/view/109813875>
- Information for data generation and storage
<https://support.industry.siemens.com/cs/ww/en/view/109995012>
- Information- and Downloadcenter (Catalogs, Brochures,...)
<https://www.siemens.com/lowvoltage/catalogs>
- Industry Mall (Online ordering system)
<https://mall.industry.siemens.com/mall/en/en/Catalog/product?mlfb=3NP1910-1FA00>
- Service&Support (Manuals, Certificates, Characteristics, FAQs,...)
<https://support.industry.siemens.com/cs/ww/en/ps/3NP1910-1FA00>
- Image database (product images, 2D dimension drawings, 3D models, device circuit diagrams, ...)
https://www.automation.siemens.com/bilddb/cax_en.aspx?mlfb=3NP1910-1FA00
- CAX-Online-Generator
<https://www.siemens.com/cax>
- Tender specifications
<https://www.siemens.com/specifications>



CR



last modified:

4/12/2025 

