

assembly kit, for conversion to DIN-rail mounting, for size NH000 narrow for floor mounting, accessories for fuse switch disconnecter 3NP1

Model		
product brand name	SETRON	
product designation	mounting set	
design of the product	accessories for 3NP1 fuse switch disconnectors	
Accessories		
accessories	assembly kit	
Mechanical Design		
Net Weight	56 g	
Approvals Certificates		
General Product Approval	Test Certificates	Maritime application



[Miscellaneous](#)



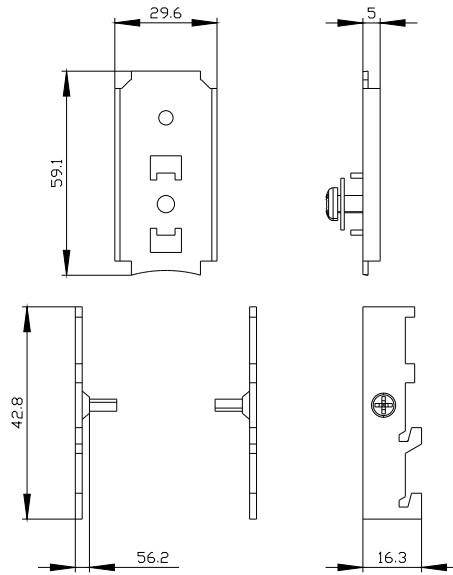
[Type Test Certificates/Test Report](#)



other	Environment
<p>Confirmation</p>	<p>Environmental Confirmations</p> <p>Environmental Confirmations</p>

Further information

- Information on the packaging
<https://support.industry.siemens.com/cs/ww/en/view/109813875>
- Information for data generation and storage
<https://support.industry.siemens.com/cs/ww/en/view/109995012>
- Information- and Downloadcenter (Catalogs, Brochures,...)
<https://www.siemens.com/lowvoltage/catalogs>
- Industry Mall (Online ordering system)
<https://mall.industry.siemens.com/mall/en/en/Catalog/product?mlfb=3NP1913-1EB00>
- Service&Support (Manuals, Certificates, Characteristics, FAQs,...)
<https://support.industry.siemens.com/cs/ww/en/ps/3NP1913-1EB00>
- Image database (product images, 2D dimension drawings, 3D models, device circuit diagrams, ...)
https://www.automation.siemens.com/bilddb/cax_en.aspx?mlfb=3NP1913-1EB00
- CAX-Online-Generator
<https://www.siemens.com/cax>
- Tender specifications
<https://www.siemens.com/specifications>



last modified:

4/12/2025 

