



Saddle terminal 1.5 - 70 mm², for Size NH00 1-pole with screw terminal, accessory for fuse switch disconnecter 3NP1 contains 1 terminal

Model	
product brand name	SETRON
product designation	Saddle terminal 1.5 - 70 mm ²
design of the product	accessories for 3NP1 fuse switch disconnectors
suitability for use	for 3NP1, 1-pole, NH00, with flat connector
Accessories	
accessories	Saddle terminals
Mechanical Design	
Net Weight	17 g
Approvals Certificates	
General Product Approval	Maritime application other



[Miscellaneous](#)



other	Environment
-------	-------------

[Confirmation](#)



[Environmental Confirmations](#)

[Environmental Confirmations](#)

Further information

Information on the packaging

<https://support.industry.siemens.com/cs/ww/en/view/109813875>

Information for data generation and storage

<https://support.industry.siemens.com/cs/ww/en/view/109995012>

Information- and Downloadcenter (Catalogs, Brochures,...)

<http://www.siemens.com/lowvoltage/catalogs>

Industry Mall (Online ordering system)

<https://mall.industry.siemens.com/mall/en/en/Catalog/product?mlfb=3NP1931-1BA00>

Service&Support (Manuals, Certificates, Characteristics, FAQs,...)

<https://support.industry.siemens.com/cs/ww/en/ps/3NP1931-1BA00>

Image database (product images, 2D dimension drawings, 3D models, device circuit diagrams, ...)

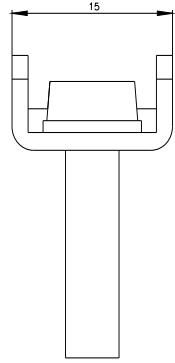
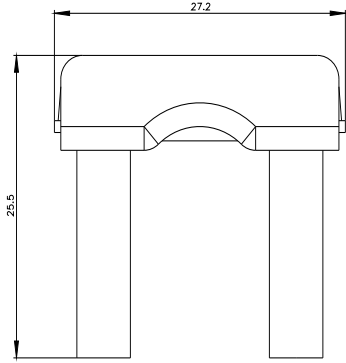
http://www.automation.siemens.com/bilddb/cax_en.aspx?mlfb=3NP1931-1BA00

CAX-Online-Generator

<http://www.siemens.com/cax>

Tender specifications

<http://www.siemens.com/specifications>



last modified:

4/12/2025 

