



Cable connection cover with reach-around protection, for size NH00 for floor mounting with screw terminal, accessory for fuse switch disconnector 3NP1

Model	
product brand name	SETRON
product designation	Terminal cover with reach-around protection
design of the product	accessories for 3NP1 fuse switch disconnectors
suitability for use	for 3NP1, 3-pole, NH00, floor mounting, flat connector
Accessories	
accessories	for size NH00 for floor mounting with screw terminals
Mechanical Design	
Net Weight	112 g
Approvals Certificates	
General Product Approval	Test Certificates



EG-Konf.




UL

[Miscellaneous](#)

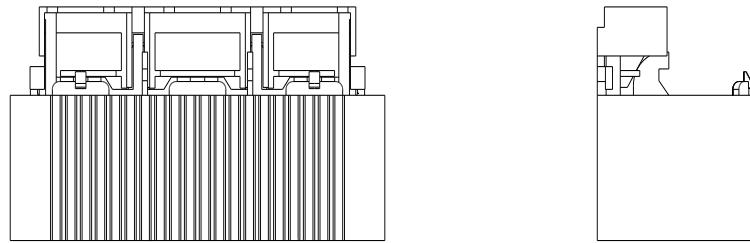
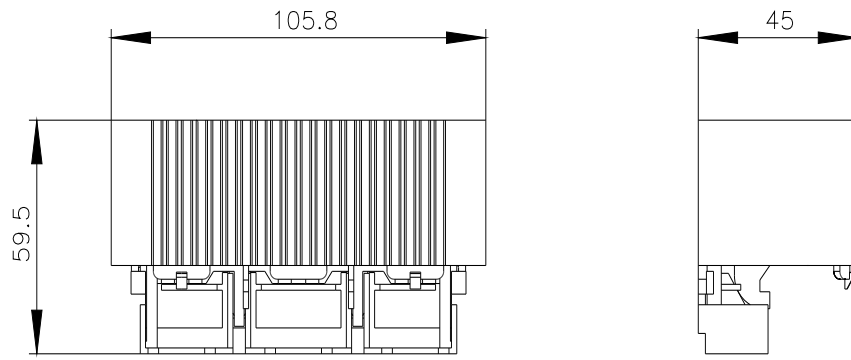


[Type Test Certificates/Test Report](#)

Maritime application	other	Environment	
	Confirmation		Environmental Confirmations

Further information

- Information on the packaging <https://support.industry.siemens.com/cs/ww/en/view/109813875>
- Information for data generation and storage <https://support.industry.siemens.com/cs/ww/en/view/109995012>
- Information- and Downloadcenter (Catalogs, Brochures,...) <http://www.siemens.com/lowvoltage/catalogs>
- Industry Mall (Online ordering system) <https://mall.industry.siemens.com/mall/en/en/Catalog/product?mlfb=3NP1933-1CD00>
- Service&Support (Manuals, Certificates, Characteristics, FAQs,...) <https://support.industry.siemens.com/cs/ww/en/ps/3NP1933-1CD00>
- Image database (product images, 2D dimension drawings, 3D models, device circuit diagrams, ...) http://www.automation.siemens.com/bilddb/cax_en.aspx?mlfb=3NP1933-1CD00
- CAX-Online-Generator <http://www.siemens.com/cax>
- Tender specifications <http://www.siemens.com/specifications>



last modified:

4/12/2025 