



LV HRC disconnecting blade Size NH00, leading closing, for 4-pole applications accessory for fuse switch disconnecter 3NP1

Model	
product brand name	SENTRON
product designation	Isolating blades
design of the product	LV HRC isolating blade, leading
size of fuse link	LV HRC00
Main circuit	
operational current rated value	160 A
Mechanical Design	
Net Weight	125 g
Approvals Certificates	
General Product Approval	Maritime application other



[Miscellaneous](#)



other	Environment
-------	-------------

[Confirmation](#)

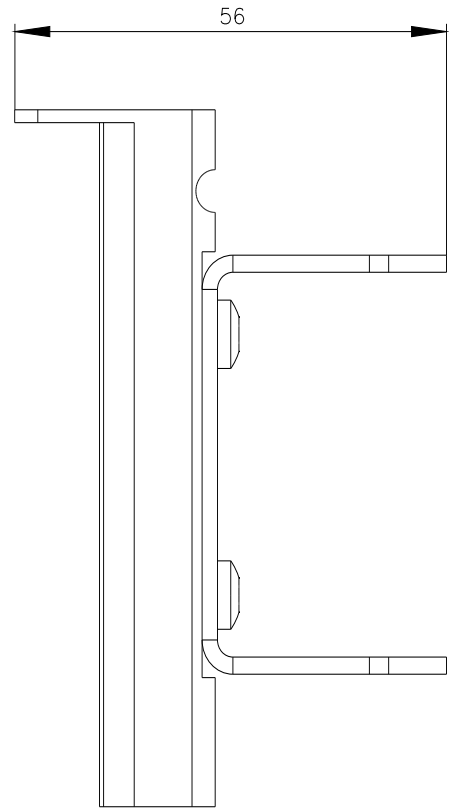
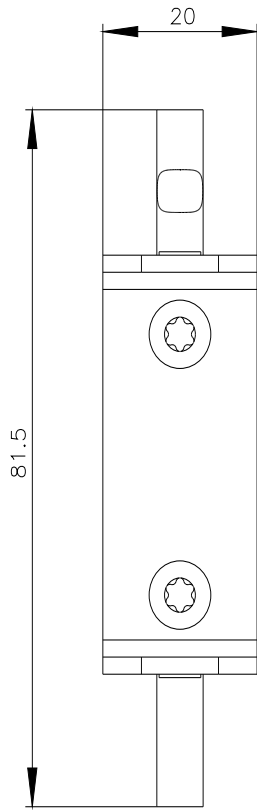


[Environmental Con-
firmations](#)

[Environmental Con-
firmations](#)

Further information

- Information on the packaging
<https://support.industry.siemens.com/cs/ww/en/view/109813875>
- Information for data generation and storage
<https://support.industry.siemens.com/cs/ww/en/view/109995012>
- Information- and Downloadcenter (Catalogs, Brochures,...)
<http://www.siemens.com/lowvoltage/catalogs>
- Industry Mall (Online ordering system)
<https://mall.industry.siemens.com/mall/en/en/Catalog/product?mlfb=3NP1934-1MA20>
- Service&Support (Manuals, Certificates, Characteristics, FAQs,...)
<https://support.industry.siemens.com/cs/ww/en/ps/3NP1934-1MA20>
- Image database (product images, 2D dimension drawings, 3D models, device circuit diagrams, ...)
http://www.automation.siemens.com/bilddb/cax_en.aspx?mlfb=3NP1934-1MA20
- CAX-Online-Generator
<http://www.siemens.com/cax>
- Tender specifications
<https://www.siemens.com/specifications>



last modified:

5/24/2025 