

Auxiliary switch, 1 changeover contact, for Size NH1, NH2, NH3, Accessory for fuse switch disconnecter 3NP1



Model	
product brand name	SENTRON
product designation	auxiliary switch
design of the product	accessories for 3NP1 fuse switch disconnectors
suitability for use	for 3NP1, NH1, NH2, NH3
Accessories	
accessories	1 CO contact, for size NH1, NH2, NH3
Mechanical Design	
Net Weight	21 g
Approvals Certificates	
General Product Approval	



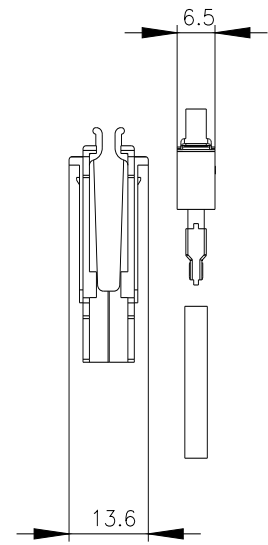
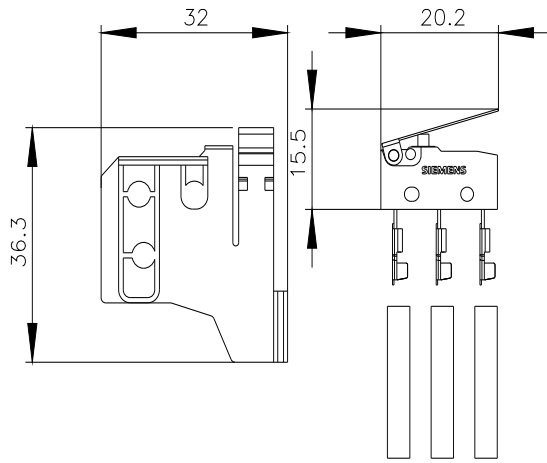
[Miscellaneous](#)



Test Certificates	Maritime application	other	Environment		
Type Test Certificates/Test Report			Confirmation	Environmental Confirmations	Environmental Confirmations

Further information

Information on the packaging
<https://support.industry.siemens.com/cs/ww/en/view/109813875>
 Information for data generation and storage
<https://support.industry.siemens.com/cs/ww/en/view/109995012>
 Information- and Downloadcenter (Catalogs, Brochures,...)
<http://www.siemens.com/lowvoltage/catalogs>
 Industry Mall (Online ordering system)
<https://mall.industry.siemens.com/mall/en/en/Catalog/product?mlfb=3NP1940-1FA00>
 Service&Support (Manuals, Certificates, Characteristics, FAQs,...)
<https://support.industry.siemens.com/cs/ww/en/ps/3NP1940-1FA00>
 Image database (product images, 2D dimension drawings, 3D models, device circuit diagrams, ...)
http://www.automation.siemens.com/bilddb/cax_en.aspx?mlfb=3NP1940-1FA00
 CAx-Online-Generator
<http://www.siemens.com/cax>
 Tender specifications
<http://www.siemens.com/specifications>



last modified:

4/12/2025 

