

Cable connection cover, for Size NH1, accessory for fuse switch disconnecter 3NP1

Model	
product brand name	SENTRON
product designation	terminal cover.
design of the product	accessories for 3NP1 fuse switch disconnectors
suitability for use	for 3NP1, 3-pole, NH1
Accessories	
accessories	for size NH1
Mechanical Design	
Net Weight	187 g
Approvals Certificates	
General Product Approval	Test Certificates



EG-Konf.



UL

[Miscellaneous](#)

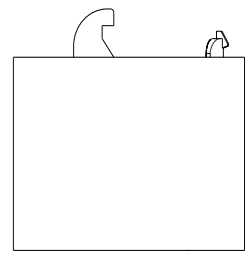
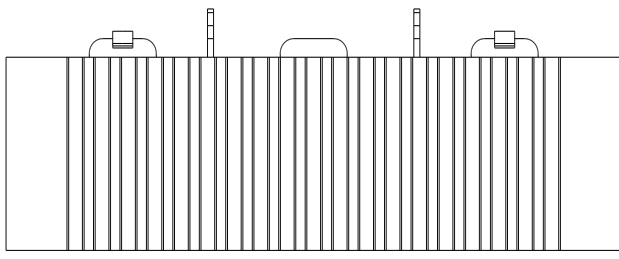
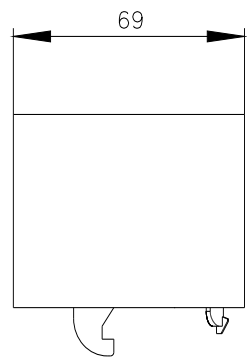
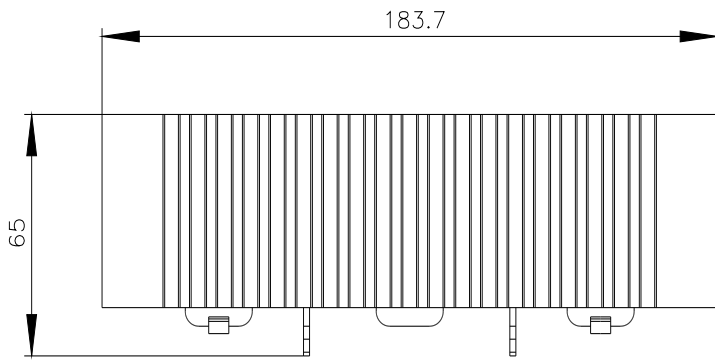


[Type Test Certificates/Test Report](#)

Maritime application	other	Environment		
		<a href="#">Confirmation</a>	<a href="#">Environmental Confirmations</a>	<a href="#">Environmental Confirmations</a>

**Further information**

- Information on the packaging <https://support.industry.siemens.com/cs/ww/en/view/109813875>
- Information for data generation and storage <https://support.industry.siemens.com/cs/ww/en/view/109995012>
- Information- and Downloadcenter (Catalogs, Brochures,...) <http://www.siemens.com/lowvoltage/catalogs>
- Industry Mall (Online ordering system) <https://mall.industry.siemens.com/mall/en/en/Catalog/product?mlfb=3NP1943-1CB00>
- Service&Support (Manuals, Certificates, Characteristics, FAQs,...) <https://support.industry.siemens.com/cs/ww/en/ps/3NP1943-1CB00>
- Image database (product images, 2D dimension drawings, 3D models, device circuit diagrams, ...) [http://www.automation.siemens.com/bilddb/cax\\_en.aspx?mlfb=3NP1943-1CB00](http://www.automation.siemens.com/bilddb/cax_en.aspx?mlfb=3NP1943-1CB00)
- CAX-Online-Generator <http://www.siemens.com/cax>
- Tender specifications <http://www.siemens.com/specifications>



---

last modified:

4/12/2025 

