



SENTRON, cylindrical fuse holder, 8x32 mm, 2-pole, In: 20 A, Un AC: 400 V

Model		
product brand name	SENTRON	
product designation	Cylindrical fuse holder	
General technical data		
number of poles	2	
size of fuse link	8x32 mm	
Supply voltage		
operating voltage	400 V	
• at AC rated value		
protection class IP	IP20	
Mechanical Design		
height	81 mm	
width	36 mm	
depth	64 mm	
Net Weight	131 g	
Certificates		
reference code according to IEC 81346-2	F	
Approvals Certificates		
General Product Approval	Test Certificates	other



[Miscellaneous](#)



[Confirmation](#)

Environment

[Environmental Confirmations](#)

Further information

- Information on the packaging
<https://support.industry.siemens.com/cs/ww/en/view/109813875>
- Information for data generation and storage
<https://support.industry.siemens.com/cs/ww/en/view/109995012>
- Information- and Downloadcenter (Catalogs, Brochures,...)
<http://www.siemens.com/lowvoltage/catalogs>
- Industry Mall (Online ordering system)
<https://mall.industry.siemens.com/mall/en/en/Catalog/product?mifb=3NW7323>

Service&Support (Manuals, Certificates, Characteristics, FAQs,...)

<http://support.industry.siemens.com/cs/ww/en/ps/3NW7323>

Image database (product images, 2D dimension drawings, 3D models, device circuit diagrams, ...)

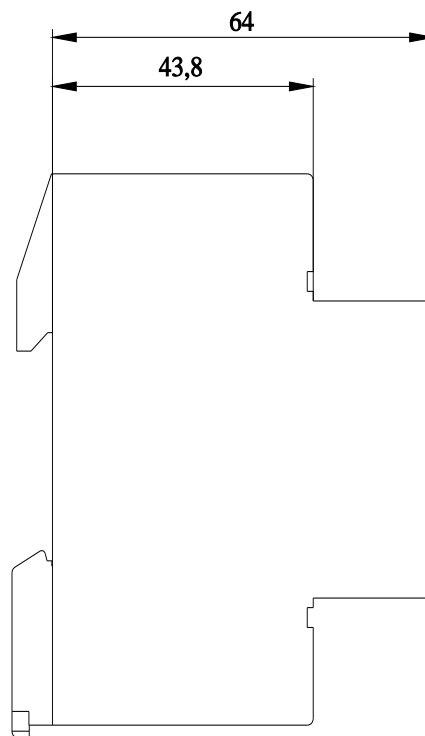
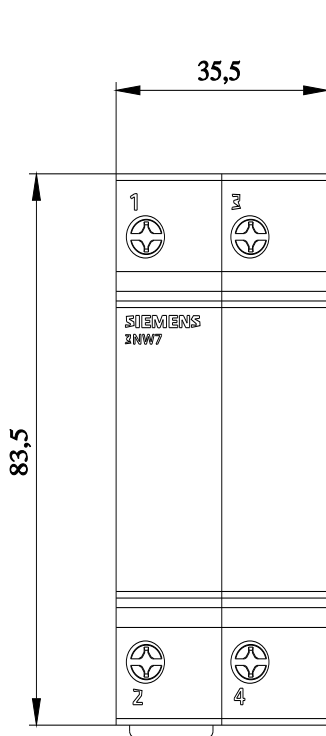
http://www.automation.siemens.com/bilddb/cax_en.aspx?mlfb=3NW7323

CAx-Online-Generator

<http://www.siemens.com/cax>

Tender specifications

<http://www.siemens.com/specifications>





last modified:

4/11/2025 

