



SETRON, fuse holder, Class J, 3-pole, In: 60 A, Un AC: 600 V, for mounting on DIN rail, respect national installation rules!

Model		
product brand name	SETRON	
product designation	Fuse holder	
design of the product	Mounting on DIN rail	
General technical data		
number of poles	3	
size of fuse link	Class J	
Supply voltage		
operating voltage	600 V	
• at AC rated value		
protection class IP	IP20	
Mechanical Design		
height	118 mm	
width	120 mm	
depth	82 mm	
Net Weight	615 g	
Certificates		
reference code according to IEC 81346-2	F	
Approvals Certificates		
General Product Approval	other	Environment



[Confirmation](#)

[Environmental Confirmations](#)

### Further information

#### Information on the packaging

<https://support.industry.siemens.com/cs/ww/en/view/109813875>

#### Information for data generation and storage

<https://support.industry.siemens.com/cs/ww/en/view/109995012>

#### Information- and Downloadcenter (Catalogs, Brochures,...)

<http://www.siemens.com/lowvoltage/catalogs>

#### Industry Mall (Online ordering system)

<https://mall.industry.siemens.com/mall/en/en/Catalog/product?mlfb=3NW7531-5HG>

#### Service&Support (Manuals, Certificates, Characteristics, FAQs,...)

<https://support.industry.siemens.com/cs/ww/en/ps/3NW7531-5HG>

#### Image database (product images, 2D dimension drawings, 3D models, device circuit diagrams, ...)

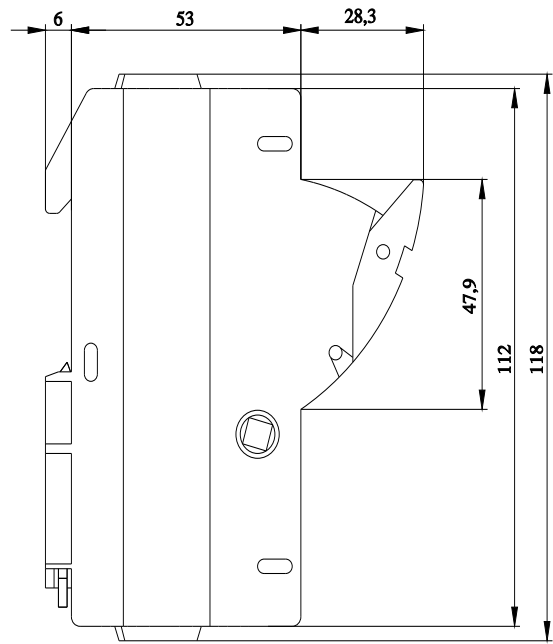
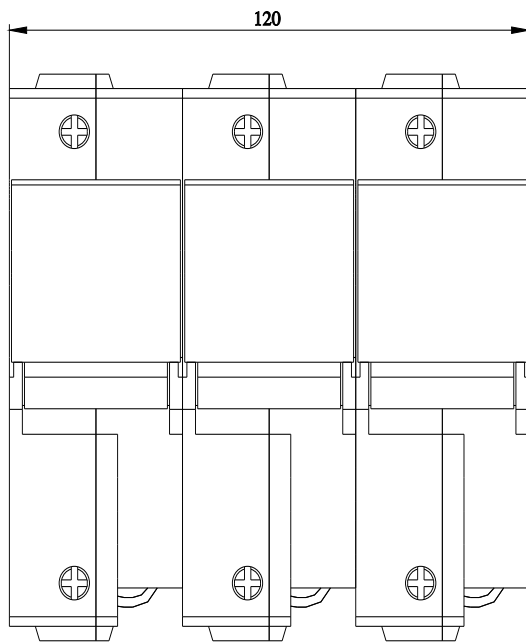
[http://www.automation.siemens.com/bilddb/cax\\_en.aspx?mlfb=3NW7531-5HG](http://www.automation.siemens.com/bilddb/cax_en.aspx?mlfb=3NW7531-5HG)

#### CAX-Online-Generator

<http://www.siemens.com/cax>

#### Tender specifications

<http://www.siemens.com/specifications>



last modified:

4/11/2025 

