

Signal detector for LV HRC fuse links of size 000/00/1 and 2 for mounting on the grip lugs of the fuse link



Model		
product brand name	SETRON	
product designation	Signal detector	
design of the product	Signal detector	
General technical data		
size of fuse link	others	
Accessories		
accessories	others	
Mechanical Design		
Net Weight	22 g	
Approvals Certificates		
Test Certificates	other	Environment

[Special Test Certificate](#)

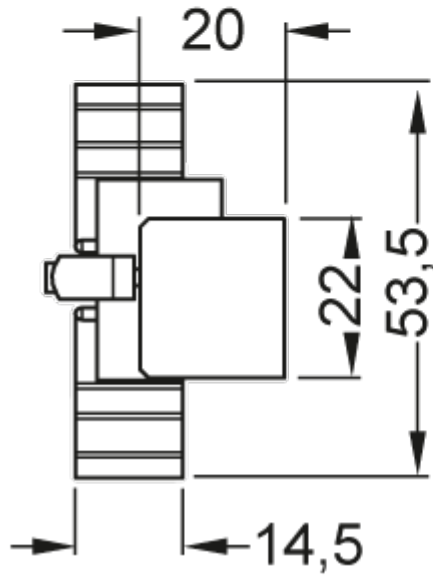
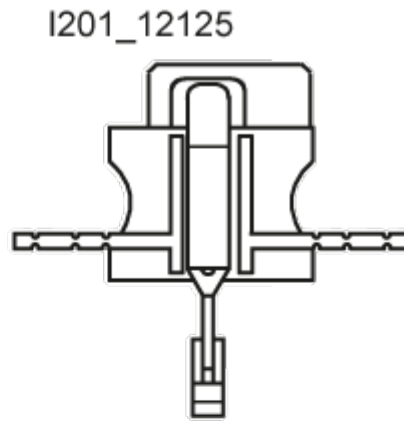
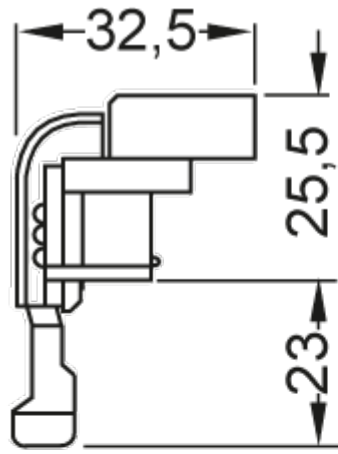


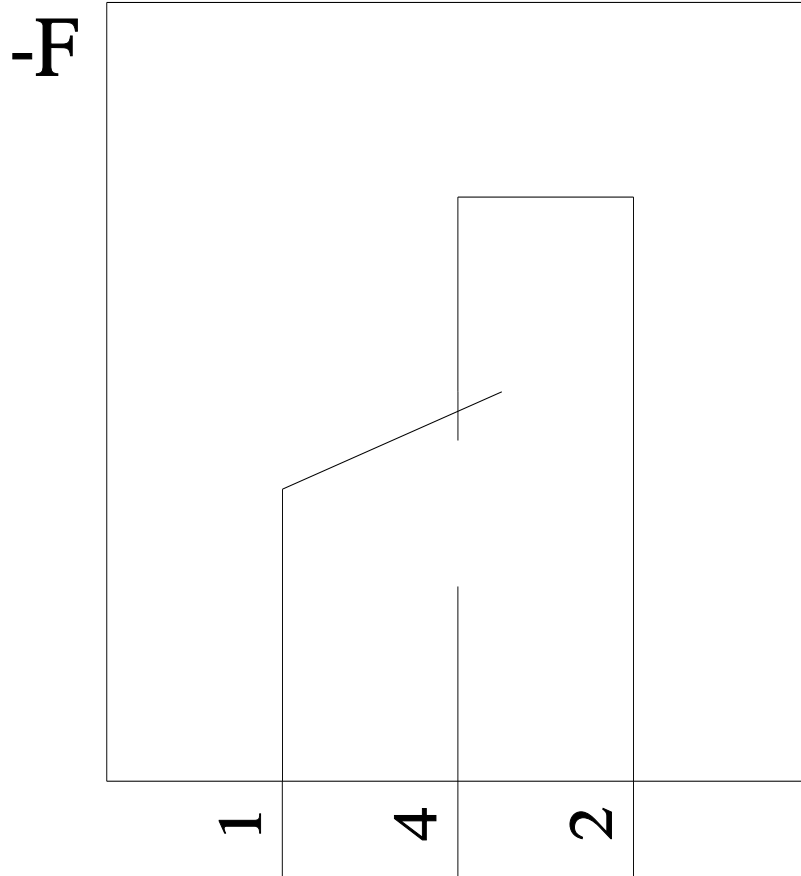
[Confirmation](#)

[Environmental Confirmations](#)

Further information

- Information on the packaging
<https://support.industry.siemens.com/cs/ww/en/view/109813875>
- Information for data generation and storage
<https://support.industry.siemens.com/cs/ww/en/view/109995012>
- Information- and Downloadcenter (Catalogs, Brochures,...)
<https://www.siemens.com/lowvoltage/catalogs>
- Industry Mall (Online ordering system)
<https://mall.industry.siemens.com/mall/en/en/Catalog/product?mlfb=3NX1024>
- Service&Support (Manuals, Certificates, Characteristics, FAQs,...)
<https://support.industry.siemens.com/cs/ww/en/ps/3NX1024>
- Image database (product images, 2D dimension drawings, 3D models, device circuit diagrams, ...)
https://www.automation.siemens.com/bilddb/cax_en.aspx?mlfb=3NX1024
- CAX-Online-Generator
<https://www.siemens.com/cax>
- Tender specifications
<https://www.siemens.com/specifications>





last modified:

4/12/2025 

