



ISO cover for LV HRC base Size 00

Model		
product brand name	SETRON	
product designation	LV HRC contact cover	
General technical data		
size of fuse link	NH00	
Accessories		
accessories	LV HRC contact cover	
Mechanical Design		
Net Weight	11 g	
Approvals Certificates		
Test Certificates	other	Environment

[Special Test Certificate](#)

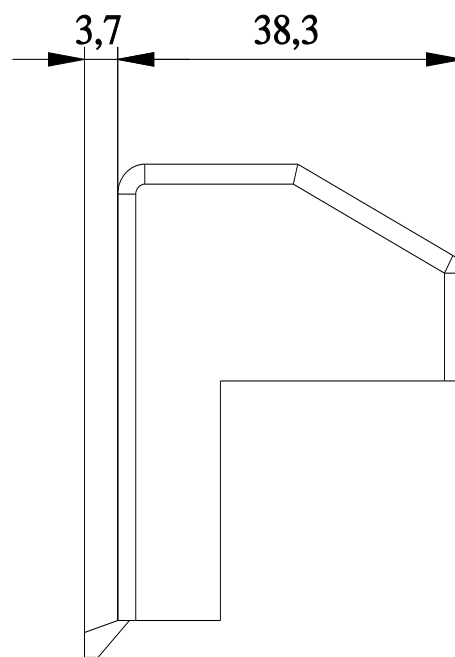
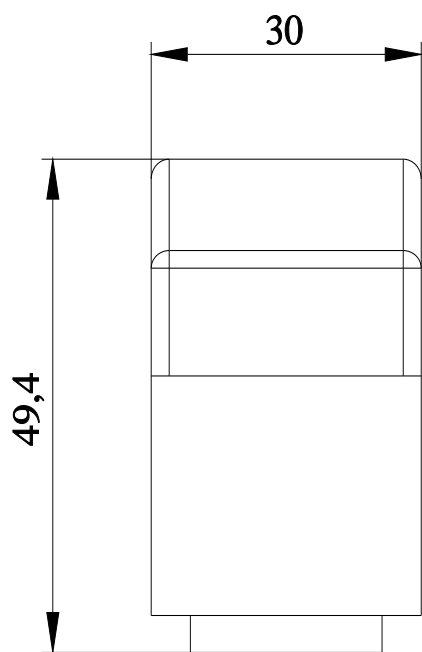


[Confirmation](#)

[Environmental Confirmations](#)

### Further information

- Information on the packaging  
<https://support.industry.siemens.com/cs/ww/en/view/109813875>
- Information for data generation and storage  
<https://support.industry.siemens.com/cs/ww/en/view/109995012>
- Information- and Downloadcenter (Catalogs, Brochures,...)  
<https://www.siemens.com/lowvoltage/catalogs>
- Industry Mall (Online ordering system)  
<https://mall.industry.siemens.com/mall/en/en/Catalog/product?mlfb=3NX3105>
- Service&Support (Manuals, Certificates, Characteristics, FAQs,...)  
<https://support.industry.siemens.com/cs/ww/en/ps/3NX3105>
- Image database (product images, 2D dimension drawings, 3D models, device circuit diagrams, ...)  
[https://www.automation.siemens.com/bilddb/cax\\_en.aspx?mlfb=3NX3105](https://www.automation.siemens.com/bilddb/cax_en.aspx?mlfb=3NX3105)
- CAX-Online-Generator  
<https://www.siemens.com/cax>
- Tender specifications  
<https://www.siemens.com/specifications>



---

last modified:

11/14/2025 