

Accessory for switch 3NP50 Molded plastic cover 265x 135 mm

Model		
product brand name	SENTRON	
product designation	Masking frame 265 x 135 mm	
design of the product	for 3NP5 fuse switch disconnecter	
Accessories		
accessories	masking frame, for size NH00	
Mechanical Design		
Net Weight	73 g	
Approvals Certificates		
General Product Approval	Test Certificates	other



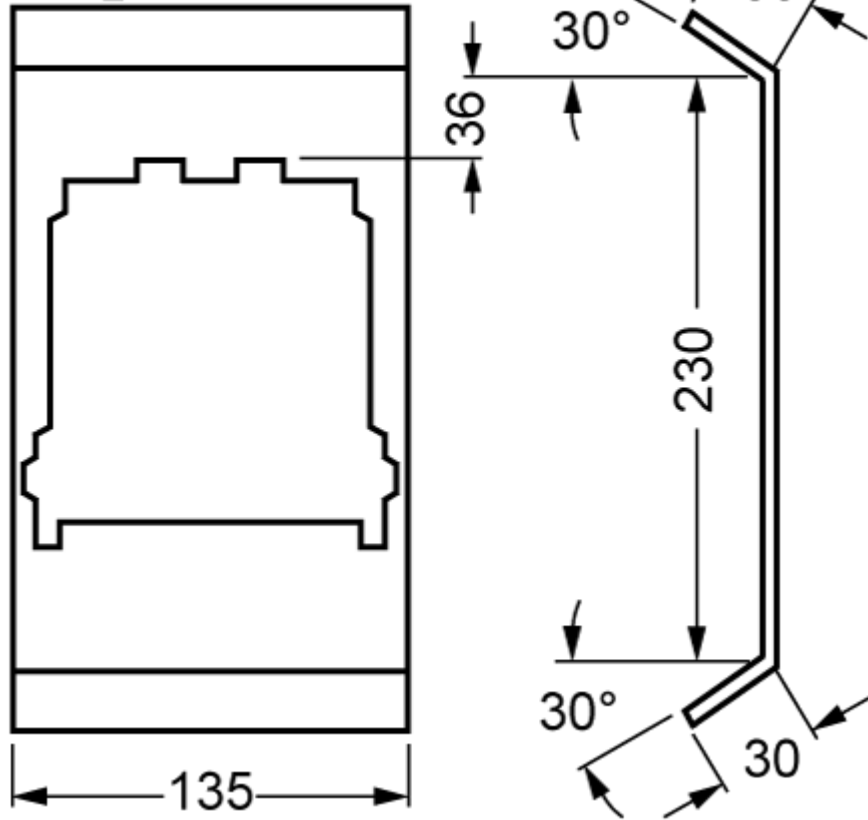
[Type Test Certificates/Test Report](#)



Further information

- Information on the packaging
<https://support.industry.siemens.com/cs/ww/en/view/109813875>
- Information for data generation and storage
<https://support.industry.siemens.com/cs/ww/en/view/109995012>
- Information- and Downloadcenter (Catalogs, Brochures,...)
<http://www.siemens.com/lowvoltage/catalogs>
- Industry Mall (Online ordering system)
<https://mall.industry.siemens.com/mall/en/en/Catalog/product?mlfb=3NY1107>
- Service&Support (Manuals, Certificates, Characteristics, FAQs,...)
<https://support.industry.siemens.com/cs/ww/en/ps/3NY1107>
- Image database (product images, 2D dimension drawings, 3D models, device circuit diagrams, ...)
http://www.automation.siemens.com/bilddb/cax_en.aspx?mlfb=3NY1107
- CAx-Online-Generator
<http://www.siemens.com/cax>
- Tender specifications
<http://www.siemens.com/specifications>

NSE0_00227b



last modified:

4/12/2025 

