



Load feeder fuseless, Reversing duty 400 V AC, Size S00 1.80...2.50 A 230 V AC
Spring-type terminal for 60 mm busbar systems (also fulfills type of coordination 1)
Type of coordination 2, I_q = 150 kA 1 NC (contactor)

| | |
|---|---|
| product brand name | SIRIUS |
| product designation | Reversing starter |
| design of the product | for 60 mm busbars |
| product type designation | 3RA22 |
| manufacturer's article number | |
| <ul style="list-style-type: none"> • of the supplied contactor • of the supplied circuit-breakers • of the supplied RS assembly kit • of the supplied link module | 3RT2015-2AP02 3RV2011-1CA20 3RA2913-1DB2 3RA2911-2AA00 |
| General technical data | |
| size of the circuit-breaker | S00 |
| size of load feeder | S00 |
| power loss [W] for rated value of the current | |
| <ul style="list-style-type: none"> • at AC in hot operating state per pole • without load current share typical | 2.6 W 4.2 W |
| insulation voltage with degree of pollution 3 at AC rated value | 690 V |
| surge voltage resistance rated value | 6 kV |
| degree of protection NEMA rating | other |
| shock resistance according to IEC 60068-2-27 | 6g / 11 ms |
| mechanical service life (operating cycles) of contactor typical | 30 000 000 |
| type of coordination | 2 |
| reference code according to IEC 81346-2:2019 | Q |
| Substance Prohibitance (Date) | 10/01/2009 |
| SVHC substance name | Lead - 7439-92-1 |
| Weight | 1.852 kg |
| Ambient conditions | |
| ambient temperature | |
| <ul style="list-style-type: none"> • during operation • during storage • during transport | -20 ... +60 °C -50 ... +80 °C -50 ... +80 °C |
| temperature compensation | -20 ... +60 °C |
| relative humidity during operation | 10 ... 95 % |
| Main circuit | |
| number of poles for main current circuit | 3 |
| design of the switching contact | electromechanical |
| adjustable current response value current of the current-dependent overload release | 1.8 ... 2.5 A |
| operating voltage | |
| <ul style="list-style-type: none"> • rated value • at AC-3 rated value maximum | 690 V 690 V |

| | |
|---|--|
| <ul style="list-style-type: none"> at AC-3e rated value maximum | 690 V |
| operating frequency rated value | 50 ... 60 Hz |
| operational current | |
| <ul style="list-style-type: none"> at AC-3 at 400 V rated value | 2.5 A |
| <ul style="list-style-type: none"> at AC-3e at 400 V rated value | 2.5 A |
| operating power | |
| <ul style="list-style-type: none"> at AC-3 <ul style="list-style-type: none"> at 400 V rated value | 750 W |
| <ul style="list-style-type: none"> at AC-3e <ul style="list-style-type: none"> at 400 V rated value | 750 W |
| Control circuit/ Control | |
| type of voltage of the control supply voltage | AC |
| control supply voltage at AC | |
| <ul style="list-style-type: none"> at 50 Hz rated value | 230 V |
| <ul style="list-style-type: none"> at 60 Hz rated value | 230 V |
| apparent holding power of magnet coil at AC | 4.2 VA |
| <ul style="list-style-type: none"> at 50 Hz | 4.2 VA |
| <ul style="list-style-type: none"> at 60 Hz | 3.3 VA |
| inductive power factor with the holding power of the coil | 0.25 |
| <ul style="list-style-type: none"> at 50 Hz | 0.25 |
| <ul style="list-style-type: none"> at 60 Hz | 0.25 |
| Auxiliary circuit | |
| product extension auxiliary switch | Yes |
| Protective and monitoring functions | |
| trip class | CLASS 10 |
| design of the overload release | thermal (bimetallic) |
| response value current of instantaneous short-circuit trip unit | 33 A |
| UL/CSA ratings | |
| full-load current (FLA) for 3-phase AC motor | |
| <ul style="list-style-type: none"> at 480 V rated value | 2.5 A |
| <ul style="list-style-type: none"> at 600 V rated value | 2.5 A |
| yielded mechanical performance [hp] | |
| <ul style="list-style-type: none"> for single-phase AC motor <ul style="list-style-type: none"> at 110/120 V rated value | 0.1 hp |
| <ul style="list-style-type: none"> for single-phase AC motor <ul style="list-style-type: none"> at 230 V rated value | 0.25 hp |
| <ul style="list-style-type: none"> for 3-phase AC motor <ul style="list-style-type: none"> at 200/208 V rated value | 0.5 hp |
| <ul style="list-style-type: none"> for 3-phase AC motor <ul style="list-style-type: none"> at 220/230 V rated value | 0.8 hp |
| <ul style="list-style-type: none"> for 3-phase AC motor <ul style="list-style-type: none"> at 460/480 V rated value | 1.5 hp |
| <ul style="list-style-type: none"> for 3-phase AC motor <ul style="list-style-type: none"> at 575/600 V rated value | 2 hp |
| Short-circuit protection | |
| product function short circuit protection | Yes |
| design of the short-circuit trip | magnetic |
| conditional short-circuit current (I_q) | |
| <ul style="list-style-type: none"> at 400 V according to IEC 60947-4-1 rated value | 150 000 A |
| Installation/ mounting/ dimensions | |
| mounting position | vertical |
| fastening method | for snapping onto 60 mm busbar systems |
| height | 260 mm |
| width | 90 mm |
| depth | 155 mm |
| required spacing | |
| <ul style="list-style-type: none"> for grounded parts <ul style="list-style-type: none"> forwards | 32 mm |
| <ul style="list-style-type: none"> for grounded parts <ul style="list-style-type: none"> backwards | 0 mm |
| <ul style="list-style-type: none"> for grounded parts <ul style="list-style-type: none"> upwards | 50 mm |
| <ul style="list-style-type: none"> for grounded parts <ul style="list-style-type: none"> at the side | 10 mm |
| <ul style="list-style-type: none"> for grounded parts <ul style="list-style-type: none"> downwards | 10 mm |
| <ul style="list-style-type: none"> for live parts <ul style="list-style-type: none"> forwards | 32 mm |

| | |
|---------------|-------|
| — backwards | 0 mm |
| — upwards | 50 mm |
| — downwards | 10 mm |
| — at the side | 10 mm |

Connections/ Terminals

type of electrical connection

- for main current circuit spring-loaded terminals
- for auxiliary and control circuit spring-loaded terminals

Safety related data

product function suitable for safety function Yes

Electrical Safety

touch protection on the front according to IEC 60529 finger-safe, for vertical contact from the front

Communication/ Protocol

protocol is supported

- PROFINET IO protocol No
- PROFIsafe protocol No

protocol is supported AS-Interface protocol No

Approvals Certificates

General Product Approval

For use in hazardous locations

Test Certificates



[Special Test Certificate](#)

Test Certificates

Maritime application

[Type Test Certificates/Test Report](#)



Maritime application

other

Railway

Environment



[Confirmation](#)



[Special Test Certificate](#)

[Environmental Confirmations](#)

Further information

Information on the packaging

<https://support.industry.siemens.com/cs/ww/en/view/109813875>

Information for data generation and storage

<https://support.industry.siemens.com/cs/ww/en/view/109995012>

Information- and Downloadcenter (Catalogs, Brochures,...)

<https://www.siemens.com/ic10>

Industry Mall (Online ordering system)

<https://mall.industry.siemens.com/mall/en/en/Catalog/product?mlfb=3RA2210-1CH15-2AP0>

Cax online generator

<https://support.automation.siemens.com/WW/CAXorder/default.aspx?lang=en&mlfb=3RA2210-1CH15-2AP0>

Service&Support (Manuals, Certificates, Characteristics, FAQs,...)

<https://support.industry.siemens.com/cs/ww/en/ps/3RA2210-1CH15-2AP0>

Image database (product images, 2D dimension drawings, 3D models, device circuit diagrams, EPLAN macros, ...)

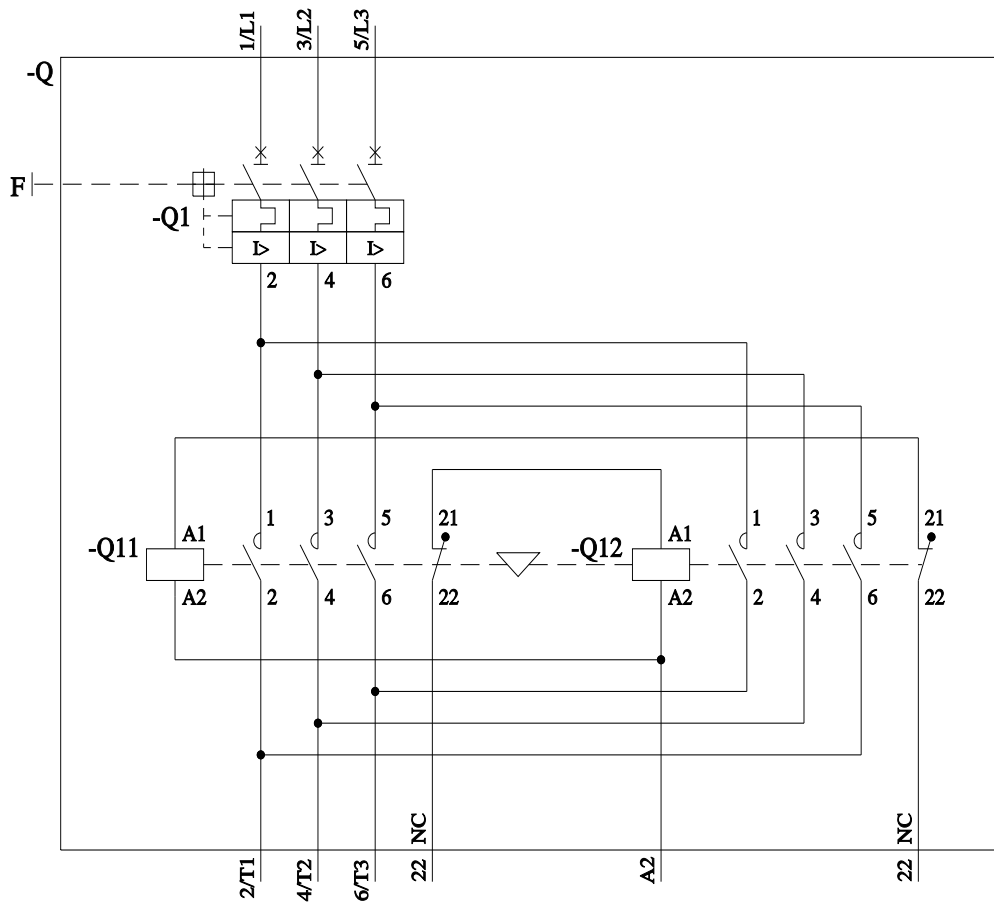
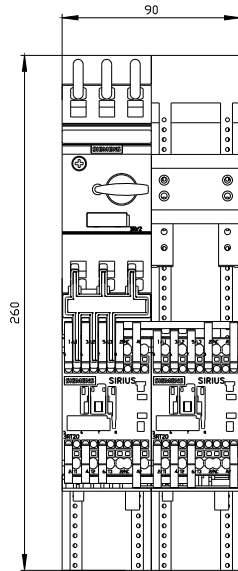
https://www.automation.siemens.com/bilddb/cax_de.aspx?mlfb=3RA2210-1CH15-2AP0&lang=en

Characteristic: Tripping characteristics, I^t, Let-through current

<https://support.industry.siemens.com/cs/ww/en/ps/3RA2210-1CH15-2AP0/char>

Further characteristics (e.g. electrical endurance, switching frequency)

<https://www.automation.siemens.com/bilddb/index.aspx?view=Search&mlfb=3RA2210-1CH15-2AP0&objecttype=14&gridview=view1>



last modified:

4/1/2025