



Load feeder fuseless, Reversing duty 400 V AC, Size S0 18...25 A 230 V AC screw terminal for 60 mm busbar systems (also fulfills type of coordination 1) Type of coordination 2, I_q = 150 kA 1 NO+1 NC (contactor)

| | |
|---|---|
| product brand name | SIRIUS |
| product designation | Reversing starter |
| design of the product | for 60 mm busbars |
| product type designation | 3RA22 |
| manufacturer's article number | |
| <ul style="list-style-type: none"> • of the supplied contactor • of the supplied circuit-breakers • of the supplied RS assembly kit • of the supplied link module | 3RT2027-1AP00 3RV2021-4DA10 3RA2923-1DB1 3RA2921-1AA00 |
| General technical data | |
| size of the circuit-breaker | S0 |
| size of load feeder | S0 |
| power loss [W] for rated value of the current | |
| <ul style="list-style-type: none"> • at AC in hot operating state per pole • without load current share typical | 5.8 W 9.8 W |
| insulation voltage with degree of pollution 3 at AC rated value | 690 V |
| surge voltage resistance rated value | 6 kV |
| degree of protection NEMA rating | other |
| shock resistance according to IEC 60068-2-27 | 6g / 11 ms |
| mechanical service life (operating cycles) of contactor typical | 10 000 000 |
| type of coordination | 2 |
| reference code according to IEC 81346-2:2019 | Q |
| Substance Prohibitance (Date) | 10/01/2009 |
| SVHC substance name | Lead titanium zirconium oxide - 12626-81-2 |
| Weight | 2.2 kg |
| Ambient conditions | |
| ambient temperature | |
| <ul style="list-style-type: none"> • during operation • during storage • during transport | -20 ... +60 °C -50 ... +80 °C -50 ... +80 °C |
| temperature compensation | -20 ... +60 °C |
| relative humidity during operation | 10 ... 95 % |
| Main circuit | |
| number of poles for main current circuit | 3 |
| design of the switching contact | electromechanical |
| adjustable current response value current of the current-dependent overload release | 18 ... 25 A |
| operating voltage | |
| <ul style="list-style-type: none"> • rated value • at AC-3 rated value maximum | 690 V 690 V |

| | |
|---|--|
| <ul style="list-style-type: none"> at AC-3e rated value maximum | 690 V |
| operating frequency rated value | 50 ... 60 Hz |
| operational current | |
| <ul style="list-style-type: none"> at AC-3 at 400 V rated value | 25 A |
| <ul style="list-style-type: none"> at AC-3e at 400 V rated value | 25 A |
| operating power | |
| <ul style="list-style-type: none"> at AC-3 <ul style="list-style-type: none"> at 400 V rated value | 11 000 W |
| <ul style="list-style-type: none"> at AC-3e <ul style="list-style-type: none"> at 400 V rated value | 11 000 W |
| Control circuit/ Control | |
| type of voltage of the control supply voltage | AC |
| control supply voltage at AC | |
| <ul style="list-style-type: none"> at 50 Hz rated value | 230 V |
| apparent holding power of magnet coil at AC | 9.8 VA |
| <ul style="list-style-type: none"> at 50 Hz | 9.8 VA |
| inductive power factor with the holding power of the coil | 0.25 |
| <ul style="list-style-type: none"> at 50 Hz | 0.25 |
| Auxiliary circuit | |
| product extension auxiliary switch | Yes |
| Protective and monitoring functions | |
| trip class | CLASS 10 |
| design of the overload release | thermal (bimetallic) |
| response value current of instantaneous short-circuit trip unit | 325 A |
| UL/CSA ratings | |
| full-load current (FLA) for 3-phase AC motor | |
| <ul style="list-style-type: none"> at 480 V rated value | 25 A |
| <ul style="list-style-type: none"> at 600 V rated value | 25 A |
| yielded mechanical performance [hp] | |
| <ul style="list-style-type: none"> for single-phase AC motor <ul style="list-style-type: none"> at 110/120 V rated value | 2 hp |
| <ul style="list-style-type: none"> for single-phase AC motor <ul style="list-style-type: none"> at 230 V rated value | 3 hp |
| <ul style="list-style-type: none"> for 3-phase AC motor <ul style="list-style-type: none"> at 200/208 V rated value | 7.5 hp |
| <ul style="list-style-type: none"> for 3-phase AC motor <ul style="list-style-type: none"> at 220/230 V rated value | 7.5 hp |
| <ul style="list-style-type: none"> for 3-phase AC motor <ul style="list-style-type: none"> at 460/480 V rated value | 20 hp |
| Short-circuit protection | |
| product function short circuit protection | Yes |
| design of the short-circuit trip | magnetic |
| conditional short-circuit current (I_q) | |
| <ul style="list-style-type: none"> at 400 V according to IEC 60947-4-1 rated value | 150 000 A |
| Installation/ mounting/ dimensions | |
| mounting position | vertical |
| fastening method | for snapping onto 60 mm busbar systems |
| height | 260 mm |
| width | 90 mm |
| depth | 155 mm |
| required spacing | |
| <ul style="list-style-type: none"> for grounded parts <ul style="list-style-type: none"> forwards | 32 mm |
| <ul style="list-style-type: none"> for grounded parts <ul style="list-style-type: none"> backwards | 0 mm |
| <ul style="list-style-type: none"> for grounded parts <ul style="list-style-type: none"> upwards | 50 mm |
| <ul style="list-style-type: none"> for grounded parts <ul style="list-style-type: none"> at the side | 10 mm |
| <ul style="list-style-type: none"> for grounded parts <ul style="list-style-type: none"> downwards | 10 mm |
| <ul style="list-style-type: none"> for live parts <ul style="list-style-type: none"> forwards | 32 mm |
| <ul style="list-style-type: none"> for live parts <ul style="list-style-type: none"> backwards | 0 mm |
| <ul style="list-style-type: none"> for live parts <ul style="list-style-type: none"> upwards | 50 mm |
| <ul style="list-style-type: none"> for live parts <ul style="list-style-type: none"> downwards | 10 mm |
| <ul style="list-style-type: none"> for live parts <ul style="list-style-type: none"> at the side | 10 mm |

Connections/ Terminals

| | |
|---|----------------------|
| type of electrical connection | |
| <ul style="list-style-type: none"> for main current circuit | screw-type terminals |
| <ul style="list-style-type: none"> for auxiliary and control circuit | screw-type terminals |

Safety related data

| | |
|---|-----|
| product function suitable for safety function | Yes |
|---|-----|

Electrical Safety

| | |
|---|--|
| touch protection on the front according to IEC 60529 | finger-safe, for vertical contact from the front |
|---|--|

Communication/ Protocol

| | |
|--|----|
| protocol is supported | |
| <ul style="list-style-type: none"> PROFINET IO protocol | No |
| <ul style="list-style-type: none"> PROFIsafe protocol | No |
| protocol is supported AS-Interface protocol | No |

Approvals Certificates

| | | |
|---------------------------------|---------------------------------------|--------------------------|
| General Product Approval | For use in hazardous locations | Test Certificates |
|---------------------------------|---------------------------------------|--------------------------|



[Special Test Certificate](#)

Test Certificates

Maritime application

[Type Test Certificates/Test Report](#)



Maritime application

other

Railway

Environment



[Confirmation](#)

[Special Test Certificate](#)

[Environmental Confirmations](#)

Further information

Information on the packaging

<https://support.industry.siemens.com/cs/ww/en/view/109813875>

Information for data generation and storage

<https://support.industry.siemens.com/cs/ww/en/view/109995012>

Information- and Downloadcenter (Catalogs, Brochures,...)

<https://www.siemens.com/ic10>

Industry Mall (Online ordering system)

<https://mall.industry.siemens.com/mall/en/en/Catalog/product?mlfb=3RA2220-4DD27-0AP0>

Cax online generator

<https://support.automation.siemens.com/WW/CAXorder/default.aspx?lang=en&mlfb=3RA2220-4DD27-0AP0>

Service&Support (Manuals, Certificates, Characteristics, FAQs,...)

<https://support.industry.siemens.com/cs/ww/en/ps/3RA2220-4DD27-0AP0>

Image database (product images, 2D dimension drawings, 3D models, device circuit diagrams, EPLAN macros, ...)

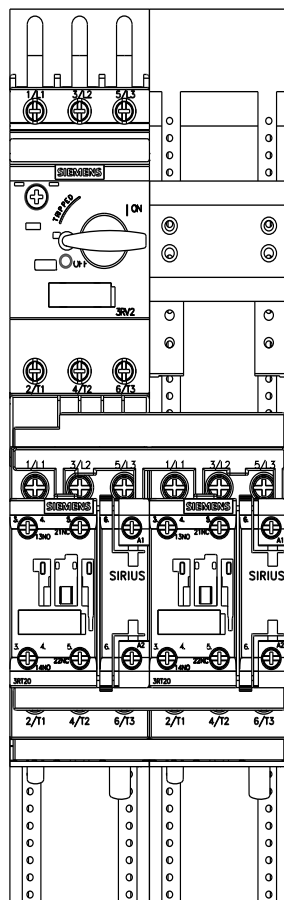
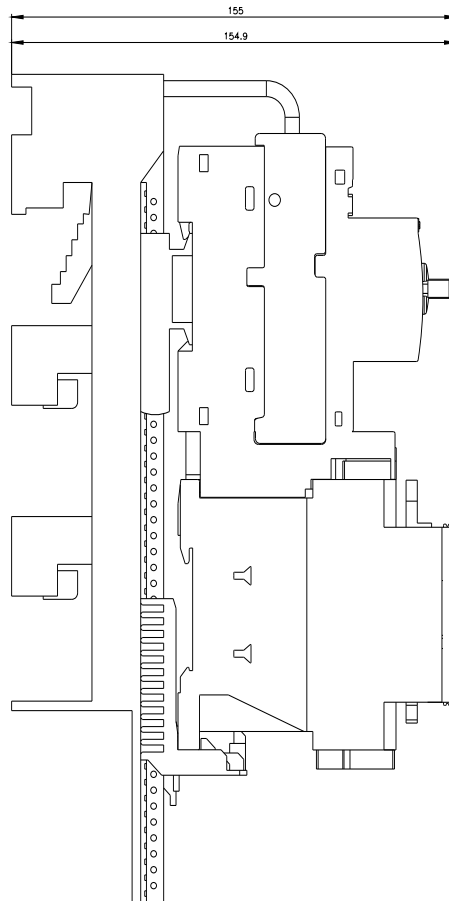
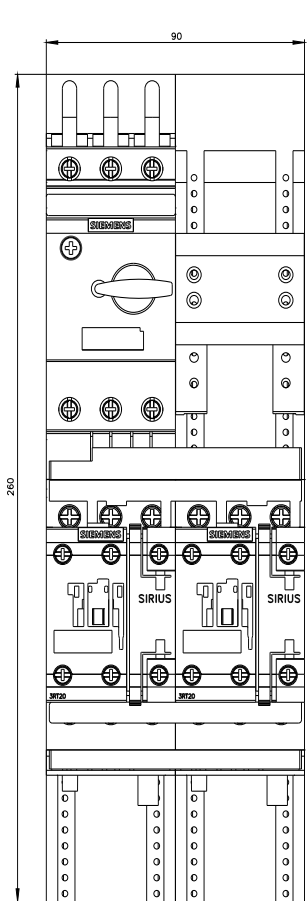
https://www.automation.siemens.com/bilddb/cax_de.aspx?mlfb=3RA2220-4DD27-0AP0&lang=en

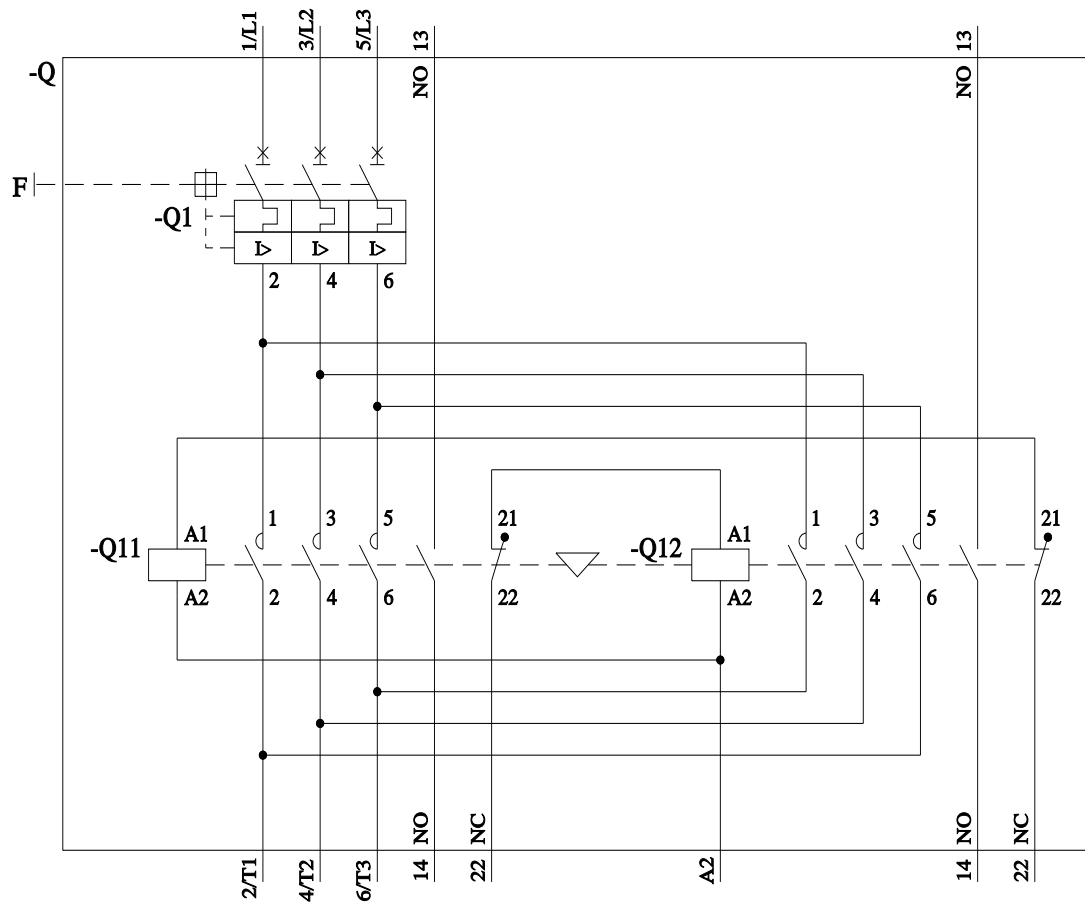
Characteristic: Tripping characteristics, I²t, Let-through current

<https://support.industry.siemens.com/cs/ww/en/ps/3RA2220-4DD27-0AP0/char>

Further characteristics (e.g. electrical endurance, switching frequency)

<https://www.automation.siemens.com/bilddb/index.aspx?view=Search&mlfb=3RA2220-4DD27-0AP0&objecttype=14&gridview=view1>





last modified:

4/1/2025 