



reversing contactor assembly, AC-3e/AC-3, 95 A, 45 kW / 400 V, 3-pole, 230 V AC, 50/60 Hz, screw terminal, electrical and mechanical interlock, auxiliary contacts: 2 x 1 NO

product brand name	SIRIUS
product designation	Reversing contactor assembly
product type designation	3RA23
manufacturer's article number	
• 1 of the supplied contactor	3RT2046-1AL20
• 2 of the supplied contactor	3RT2046-1AL2
• of the supplied RS assembly kit	3RA2943-2AA1
General technical data	
size of contactor	S3
product extension auxiliary switch	Yes
shock resistance at rectangular impulse	
• at AC	6.7 g / 5 ms, 4.0 g / 10 ms
shock resistance with sine pulse	
• at AC	10.6 g / 5 ms, 6.3 g / 10 ms
mechanical service life (operating cycles)	
• of contactor typical	10 000 000
• of the contactor with added auxiliary switch block typical	10 000 000
reference code according to IEC 81346-2	Q
Substance Prohibitance (Date)	03/01/2017
SVHC substance name	Lead - 7439-92-1
Weight	4.089 kg
Ambient conditions	
installation altitude at height above sea level maximum	2 000 m
ambient temperature	
• during operation	60 °C
• during storage	-55 ... +80 °C
Main circuit	
number of poles for main current circuit	3
number of NO contacts for main contacts	3
number of NC contacts for main contacts	0
operating voltage	
• at AC-3 rated value maximum	1 000 V
• at AC-3e rated value maximum	1 000 V
operational current	
• at AC-3	
— at 400 V rated value	95 A
— at 500 V rated value	95 A
— at 690 V rated value	78 A
• at AC-3e	
— at 400 V rated value	95 A

— at 500 V rated value	95 A
— at 690 V rated value	78 A
operating power	
● at AC-3	
— at 400 V rated value	45 kW
— at 500 V rated value	55 kW
— at 690 V rated value	75 kW
● at AC-3e	
— at 400 V rated value	45 kW
— at 690 V rated value	75 kW
● at AC-4 at 400 V rated value	45 kW
operating frequency	
● at AC-3 maximum	850 1/h
● at AC-3e maximum	850 1/h
Control circuit/ Control	
type of voltage of the control supply voltage	AC
control supply voltage 1 at AC	
● at 50 Hz rated value	230 V
● at 60 Hz rated value	230 V
operating range factor control supply voltage rated value of magnet coil at AC	
● at 50 Hz	0.8 ... 1.1
● at 60 Hz	0.85 ... 1.1
apparent pick-up power of magnet coil at AC	
● at 50 Hz	348 VA
● at 60 Hz	296 VA
inductive power factor with closing power of the coil	
● at 50 Hz	0.62
● at 60 Hz	0.55
apparent holding power of magnet coil at AC	
● at 50 Hz	25 VA
● at 60 Hz	18 VA
inductive power factor with the holding power of the coil	
● at 50 Hz	0.35
● at 60 Hz	0.41
Auxiliary circuit	
number of NC contacts for auxiliary contacts	
● per direction of rotation	0
number of NO contacts for auxiliary contacts	
● per direction of rotation	1
● instantaneous contact	2
UL/CSA ratings	
full-load current (FLA) for 3-phase AC motor	
● at 480 V rated value	96 A
● at 600 V rated value	77 A
yielded mechanical performance [hp] for 3-phase AC motor	
● at 200/208 V rated value	30 hp
● at 220/230 V rated value	30 hp
● at 460/480 V rated value	75 hp
● at 575/600 V rated value	75 hp
contact rating of auxiliary contacts according to UL	A600 / Q600
Short-circuit protection	
design of the fuse link	
● for short-circuit protection of the main circuit	
— with type of coordination 1 required	gG NH 3NA, DIAZED 5SB, NEOZED 5SE: 355 A
— with type of coordination 2 required	gG NH 3NA, DIAZED 5SB, NEOZED 5SE: 160 A
● for short-circuit protection of the auxiliary switch required	fuse gG: 10 A
Installation/ mounting/ dimensions	
mounting position	+/-180° rotation possible on vertical mounting surface; can be tilted forward and backward by +/- 22.5° on vertical mounting surface
fastening method	screw and snap-on mounting onto 35 mm DIN rail

height	160 mm
width	150 mm
depth	152 mm
required spacing	
<ul style="list-style-type: none"> • with side-by-side mounting <ul style="list-style-type: none"> — forwards 10 mm — backwards 0 mm — upwards 10 mm — downwards 10 mm — at the side 10 mm • for grounded parts <ul style="list-style-type: none"> — forwards 10 mm — backwards 0 mm — upwards 10 mm — at the side 10 mm — downwards 10 mm • for live parts <ul style="list-style-type: none"> — forwards 10 mm — backwards 0 mm — upwards 10 mm — downwards 10 mm — at the side 10 mm 	

Connections/ Terminals

type of electrical connection	
<ul style="list-style-type: none"> • for main current circuit • for auxiliary and control circuit • at contactor for auxiliary contacts • of magnet coil 	<p>screw-type terminals</p> <p>screw-type terminals</p> <p>Screw-type terminals</p> <p>Screw-type terminals</p>
type of connectable conductor cross-sections for main contacts	
<ul style="list-style-type: none"> • solid or stranded • finely stranded with core end processing • finely stranded without core end processing 	<p>2x (2.5 ... 16 mm²), 2x (10 ... 50 mm²), 1x (10 ... 70 mm²)</p> <p>2x (2.5 ... 35 mm²), 1x (2.5 ... 50 mm²)</p> <p>2x (10 ... 35 mm²), 1x (10 ... 50 mm²)</p>
type of connectable conductor cross-sections	
<ul style="list-style-type: none"> • for auxiliary contacts <ul style="list-style-type: none"> — solid or stranded — finely stranded with core end processing • for AWG cables for auxiliary contacts 	<p>2x (0.5 ... 1.5 mm²), 2x (0.75 ... 2.5 mm²)</p> <p>2x (0.5 ... 1.5 mm²), 2x (0.75 ... 2.5 mm²)</p> <p>2x (20 ... 16), 2x (18 ... 14)</p>

Safety related data

product function suitable for safety function	Yes
Electrical Safety	
protection class IP on the front according to IEC 60529	IP20
touch protection on the front according to IEC 60529	finger-safe, for vertical contact from the front

Communication/ Protocol

product function bus communication	Yes
protocol is supported AS-Interface protocol	No
product function control circuit interface with IO link	No

Approvals Certificates

General Product Approval	Test Certificates	Maritime application
---------------------------------	--------------------------	-----------------------------



[Type Test Certificates/Test Report](#)



Maritime application	other
-----------------------------	--------------



other	Dangerous goods	Environment
-------	-----------------	-------------

[Confirmation](#)

[Transport Information](#)

[Environmental Con-
firmations](#)

Further information

Information on the packaging

<https://support.industry.siemens.com/cs/ww/en/view/109813875>

Information for data generation and storage

<https://support.industry.siemens.com/cs/ww/en/view/109995012>

Information- and Downloadcenter (Catalogs, Brochures,...)

<https://www.siemens.com/ic10>

Industry Mall (Online ordering system)

<https://mall.industry.siemens.com/mall/en/en/Catalog/product?mlfb=3RA2346-8XB30-1AL2>

Cax online generator

<https://support.automation.siemens.com/WW/CAXorder/default.aspx?lang=en&mlfb=3RA2346-8XB30-1AL2>

Service&Support (Manuals, Certificates, Characteristics, FAQs,...)

<https://support.industry.siemens.com/cs/ww/en/ps/3RA2346-8XB30-1AL2>

Image database (product images, 2D dimension drawings, 3D models, device circuit diagrams, EPLAN macros, ...)

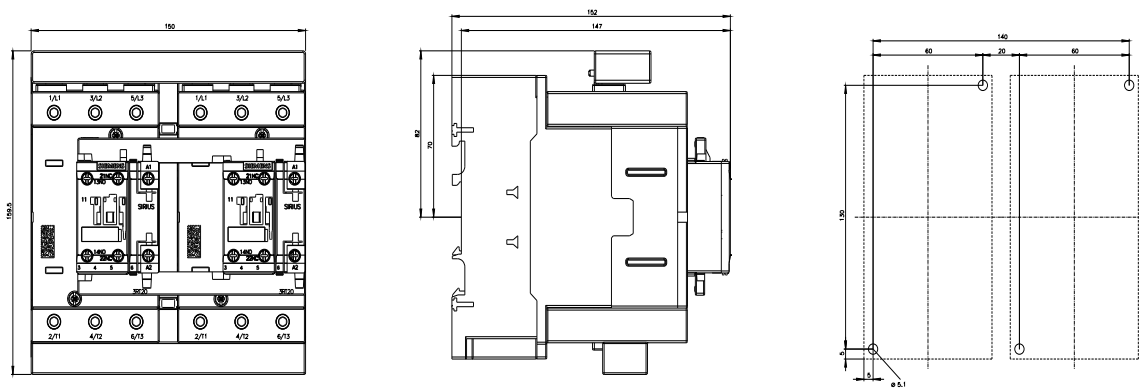
https://www.automation.siemens.com/bilddb/cax_de.aspx?mlfb=3RA2346-8XB30-1AL2&lang=en

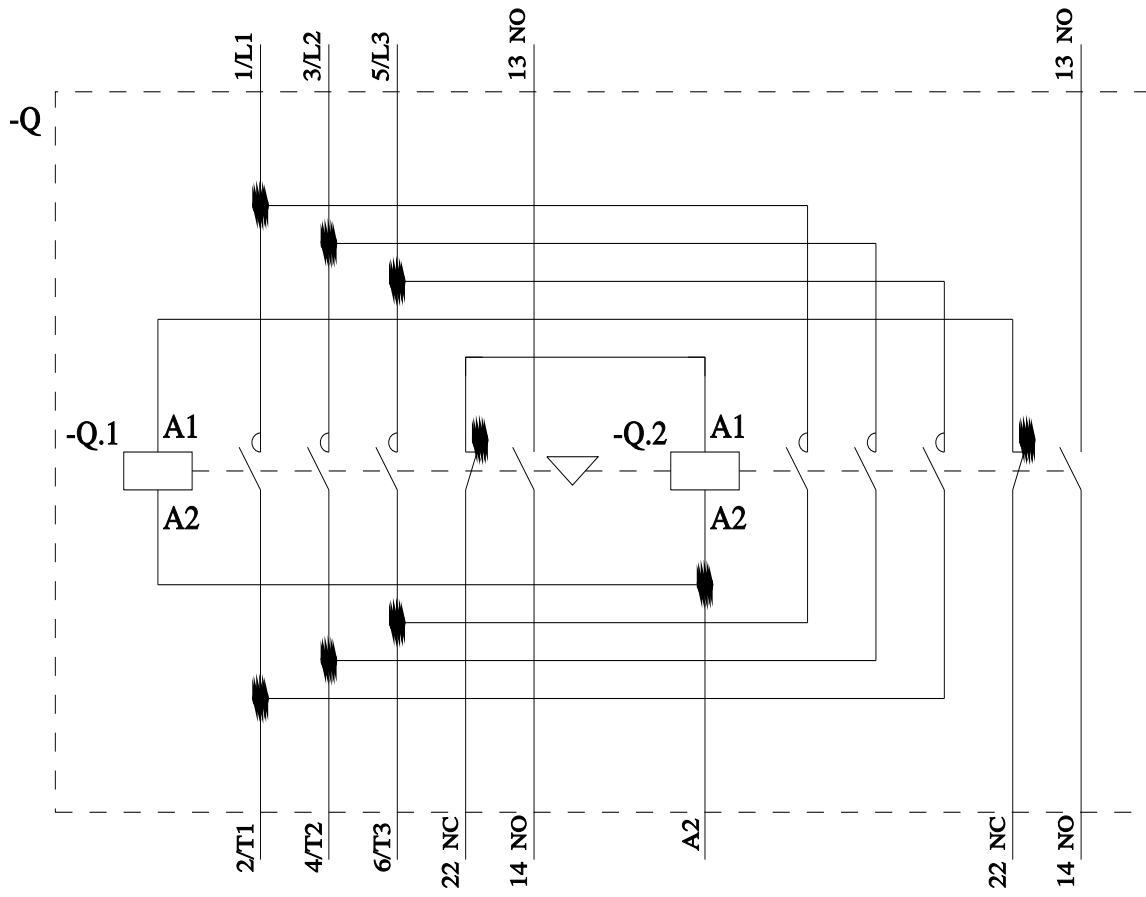
Characteristic: Tripping characteristics, I²t, Let-through current

<https://support.industry.siemens.com/cs/ww/en/ps/3RA2346-8XB30-1AL2/char>

Further characteristics (e.g. electrical endurance, switching frequency)

<https://www.automation.siemens.com/bilddb/index.aspx?view=Search&mlfb=3RA2346-8XB30-1AL2&objecttype=14&gridview=view1>





last modified:

8/8/2025 