

Contactor assembly for star-delta (wye-delta) start AC-3, 22 kW/400 V, 24 V AC  
50/60 Hz, 3-pole, size S0 Spring-type terminals electrical and mechanical interlock  
3 NO + 3 NC integrated



<b>product brand name</b>	SIRIUS
<b>product designation</b>	Contactor assembly for star-delta (wye-delta) start
<b>product type designation</b>	3RA24
<b>manufacturer's article number</b>	
<ul style="list-style-type: none"> <li>• 1 of the supplied contactor</li> <li>• 2 of the supplied contactor</li> <li>• 3 of the supplied contactor</li> <li>• of the supplied RS assembly kit</li> <li>• of the supplied function module for wye-delta circuits</li> </ul>	<a href="#">3RT2027-2AC20</a> <a href="#">3RT2027-2AC20</a> <a href="#">3RT2026-2AC20</a> <a href="#">3RA2923-2BB2</a> <a href="#">3RA2816-0EW20</a>
<b>General technical data</b>	
<b>size of contactor</b>	S0
product extension auxiliary switch	No
<b>shock resistance at rectangular impulse</b>	
<ul style="list-style-type: none"> <li>• at AC</li> <li>• at DC</li> </ul>	8,3g / 5 ms, 5,3g / 10 ms 10g / 5 ms, 7,5g / 10 ms
<b>shock resistance with sine pulse</b>	
<ul style="list-style-type: none"> <li>• at AC</li> <li>• at DC</li> </ul>	13,5g / 5 ms, 8,3g / 10 ms 15g / 5 ms, 10g / 10 ms
<b>mechanical service life (operating cycles)</b>	
<ul style="list-style-type: none"> <li>• of contactor typical</li> <li>• of the contactor with added auxiliary switch block typical</li> </ul>	10 000 000 10 000 000
<b>reference code according to IEC 81346-2</b>	Q
<b>Substance Prohibition (Date)</b>	10/01/2009
<b>SVHC substance name</b>	Lead - 7439-92-1 Lead monoxide (lead oxide) - 1317-36-8 6,6'-di-tert-butyl-2,2'-methylenedi-p-cresol - 119-47-1
<b>Weight</b>	2.042 kg
<b>Ambient conditions</b>	
installation altitude at height above sea level maximum	2 000 m
<b>ambient temperature</b>	
<ul style="list-style-type: none"> <li>• during operation</li> <li>• during storage</li> </ul>	-25 ... +60 °C -55 ... +80 °C
<b>Main circuit</b>	
<b>number of poles for main current circuit</b>	3
<b>number of NO contacts for main contacts</b>	3
<b>number of NC contacts for main contacts</b>	0
<b>operating voltage</b>	
<ul style="list-style-type: none"> <li>• at AC-3 rated value maximum</li> </ul>	690 V
<b>operational current</b>	
<ul style="list-style-type: none"> <li>• at AC-3</li> <li>— at 400 V rated value</li> </ul>	50 A

<b>operating power</b>	
<ul style="list-style-type: none"> <li>● at AC-3 <ul style="list-style-type: none"> <li>— at 400 V rated value</li> <li>— at 500 V rated value</li> <li>— at 690 V rated value</li> </ul> </li> </ul>	22 kW 19 kW 19 kW
<b>operating frequency</b>	
<ul style="list-style-type: none"> <li>● at AC-3 maximum</li> </ul>	1 000 1/h
<b>Control circuit/ Control</b>	
<b>type of voltage of the control supply voltage</b>	AC
<b>control supply voltage 1 at AC</b>	
<ul style="list-style-type: none"> <li>● at 50 Hz rated value</li> <li>● at 60 Hz rated value</li> </ul>	24 V 24 V
<b>operating range factor control supply voltage rated value of magnet coil at AC</b>	
<ul style="list-style-type: none"> <li>● at 50 Hz</li> <li>● at 60 Hz</li> </ul>	0.8 ... 1.1 0.8 ... 1.1
<b>apparent pick-up power of magnet coil at AC</b>	
<ul style="list-style-type: none"> <li>● at 50 Hz</li> <li>● at 60 Hz</li> </ul>	164 VA 160 VA
<b>inductive power factor with closing power of the coil</b>	
<ul style="list-style-type: none"> <li>● at 50 Hz</li> <li>● at 60 Hz</li> </ul>	0.72 0.74
<b>apparent holding power of magnet coil at AC</b>	
<ul style="list-style-type: none"> <li>● at 50 Hz</li> <li>● at 60 Hz</li> </ul>	23 VA 19 VA
<b>inductive power factor with the holding power of the coil</b>	
<ul style="list-style-type: none"> <li>● at 50 Hz</li> <li>● at 60 Hz</li> </ul>	0.25 0.28
<b>Auxiliary circuit</b>	
<b>number of NC contacts for auxiliary contacts</b>	
<ul style="list-style-type: none"> <li>● instantaneous contact</li> </ul>	3
<b>number of NO contacts for auxiliary contacts</b>	
<ul style="list-style-type: none"> <li>● instantaneous contact</li> </ul>	3
<b>contact reliability of auxiliary contacts</b>	< 1 error per 100 million operating cycles
<b>UL/CSA ratings</b>	
<b>contact rating of auxiliary contacts according to UL</b>	A600 / Q600
<b>Short-circuit protection</b>	
<b>design of the fuse link</b>	
<ul style="list-style-type: none"> <li>● for short-circuit protection of the main circuit <ul style="list-style-type: none"> <li>— with type of coordination 1 required</li> <li>— with type of coordination 2 required</li> </ul> </li> <li>● for short-circuit protection of the auxiliary switch required</li> </ul>	gG NH 3NA, DIAZED 5SB, NEOZED 5SE: 125 A gG NH 3NA, DIAZED 5SB, NEOZED 5SE: 50 A fuse gG: 10 A
<b>Installation/ mounting/ dimensions</b>	
<b>mounting position</b>	+/-180° rotation possible on vertical mounting surface; can be tilted forward and backward by +/- 22.5° on vertical mounting surface
<b>fastening method</b>	screw and snap-on mounting onto 35 mm DIN rail
<b>height</b>	114 mm
<b>width</b>	135 mm
<b>depth</b>	171 mm
<b>required spacing</b>	
<ul style="list-style-type: none"> <li>● with side-by-side mounting <ul style="list-style-type: none"> <li>— forwards</li> <li>— backwards</li> <li>— upwards</li> <li>— downwards</li> <li>— at the side</li> </ul> </li> <li>● for grounded parts <ul style="list-style-type: none"> <li>— forwards</li> <li>— backwards</li> <li>— upwards</li> <li>— at the side</li> </ul> </li> </ul>	6 mm 0 mm 6 mm 6 mm 6 mm 6 mm 6 mm 0 mm 6 mm 6 mm

— downwards	6 mm
• for live parts	
— forwards	6 mm
— backwards	0 mm
— upwards	6 mm
— downwards	6 mm
— at the side	6 mm

### Connections/ Terminals

<b>type of electrical connection</b>	
• for main current circuit	spring-loaded terminals
• for auxiliary and control circuit	spring-loaded terminals
• at contactor for auxiliary contacts	Spring-type terminals
• of magnet coil	Spring-type terminals
<b>type of connectable conductor cross-sections for main contacts</b>	
• solid	2x (1 ... 10 mm <sup>2</sup> )
• solid or stranded	2x (1 ... 10 mm <sup>2</sup> )
• finely stranded with core end processing	2x (1 ... 6 mm <sup>2</sup> )
• finely stranded without core end processing	2x (1 ... 6 mm <sup>2</sup> )
<b>type of connectable conductor cross-sections</b>	
• for auxiliary contacts	
— solid or stranded	2x (0.5 ... 2.5 mm <sup>2</sup> )
— finely stranded with core end processing	2x (0.5 ... 1.5 mm <sup>2</sup> )
— finely stranded without core end processing	2x (0.5 ... 1.5 mm <sup>2</sup> )
• for AWG cables for auxiliary contacts	2x (20 ... 14)

### Safety related data

product function suitable for safety function	Yes
Electrical Safety	
<b>protection class IP on the front according to IEC 60529</b>	IP20
<b>touch protection on the front according to IEC 60529</b>	finger-safe, for vertical contact from the front

### Communication/ Protocol

<b>product function bus communication</b>	No
protocol is supported AS-Interface protocol	No
product function control circuit interface with IO link	No

### Approvals Certificates

General Product Approval	Test Certificates	Maritime application
--------------------------	-------------------	----------------------



[Special Test Certificate](#)



Maritime application	other
----------------------	-------



other	Railway	Environment
-------	---------	-------------

[Confirmation](#)

[Special Test Certificate](#)

[Environmental Conformations](#)

### Further information

Information on the packaging  
<https://support.industry.siemens.com/cs/ww/en/view/109813875>  
 Information for data generation and storage  
<https://support.industry.siemens.com/cs/ww/en/view/109995012>  
 Information- and Downloadcenter (Catalogs, Brochures,...)

<https://www.siemens.com/ic10>

Industry Mall (Online ordering system)

<https://mall.industry.siemens.com/mall/en/en/Catalog/product?mlfb=3RA2426-8XF32-2AC2>

Cax online generator

<https://support.automation.siemens.com/WW/CAXorder/default.aspx?lang=en&mlfb=3RA2426-8XF32-2AC2>

Service&Support (Manuals, Certificates, Characteristics, FAQs,...)

<https://support.industry.siemens.com/cs/ww/en/ps/3RA2426-8XF32-2AC2>

Image database (product images, 2D dimension drawings, 3D models, device circuit diagrams, EPLAN macros, ...)

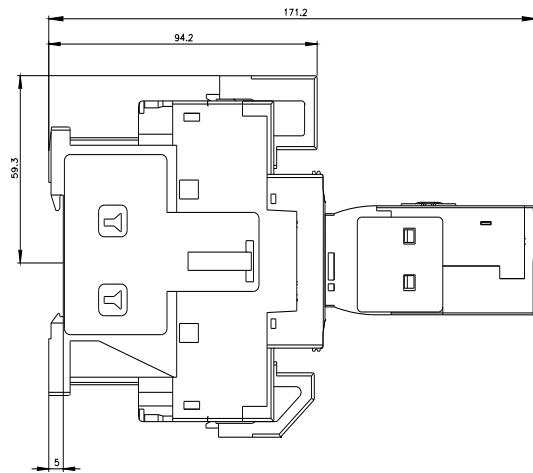
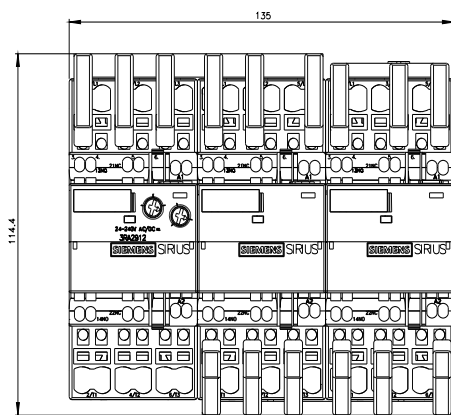
[https://www.automation.siemens.com/bilddb/cax\\_de.aspx?mlfb=3RA2426-8XF32-2AC2&lang=en](https://www.automation.siemens.com/bilddb/cax_de.aspx?mlfb=3RA2426-8XF32-2AC2&lang=en)

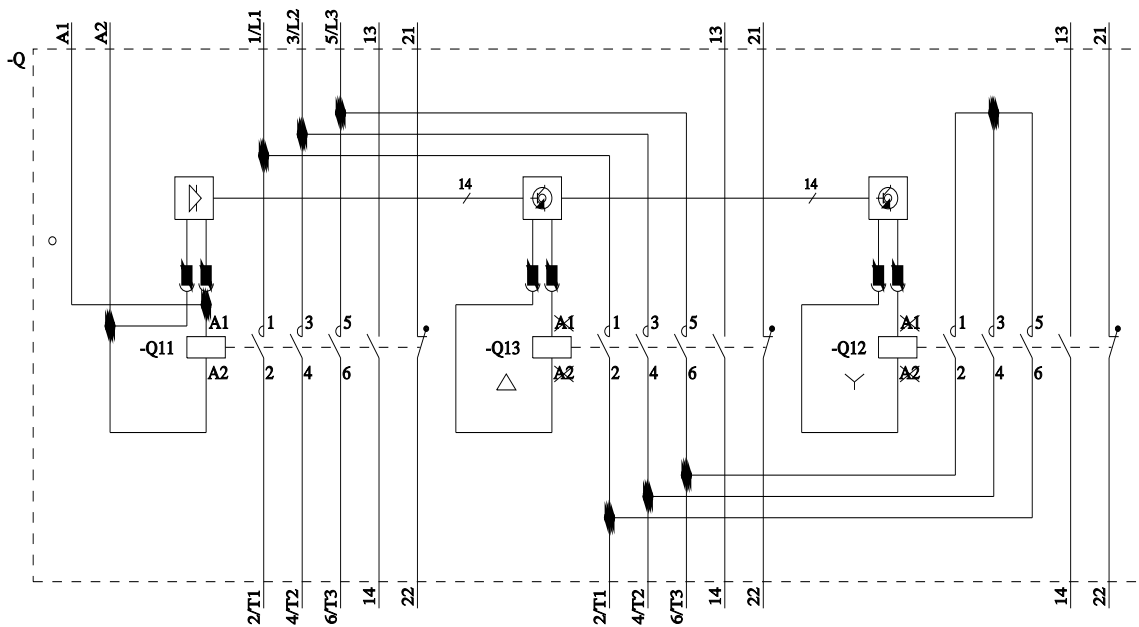
Characteristic: Tripping characteristics, I<sup>2</sup>t, Let-through current

<https://support.industry.siemens.com/cs/ww/en/ps/3RA2426-8XF32-2AC2/char>

Further characteristics (e.g. electrical endurance, switching frequency)

<https://www.automation.siemens.com/bilddb/index.aspx?view=Search&mlfb=3RA2426-8XF32-2AC2&objecttype=14&gridview=view1>





last modified:

5/4/2025