

mechanical connectors for contactor combinations, 20 mm contactor clearance, for 10 combinations, (2 connectors for each combination), for contactors 3RT233



product brand name	SIRIUS
product category	Mechanical interlocks
product designation	Mechanical connectors
design of the product	for contactor assemblies size S2/S2, 4-pole for reversing, contactor clearance 20 mm
product type designation	3RA29

General technical data	
Substance Prohibitation (Date)	10/01/2014
Weight	0.003 kg

Approvals Certificates		
General Product Approval	Test Certificates	Maritime application



EG-Konf.



UL



[Type Test Certificates/Test Report](#)



ABS

Maritime application	other
----------------------	-------



BUREAU VERITAS



DNV



LRS



PRS



RMRS



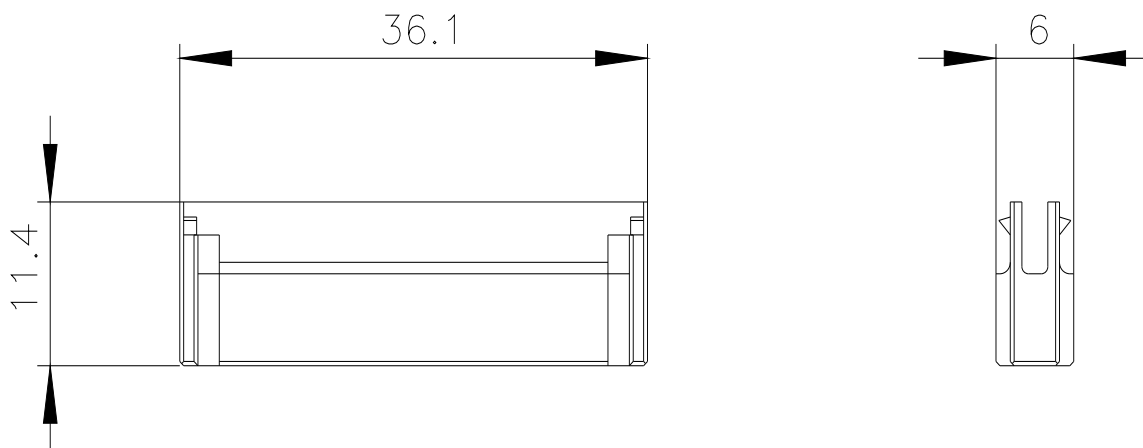
other	Environment
-------	-------------

[Confirmation](#)

[Environmental Confirmations](#)

### Further information

- Information on the packaging  
<https://support.industry.siemens.com/cs/ww/en/view/109813875>
- Information for data generation and storage  
<https://support.industry.siemens.com/cs/ww/en/view/109995012>
- Information- and Downloadcenter (Catalogs, Brochures,...)  
<https://www.siemens.com/ic10>
- Industry Mall (Online ordering system)  
<https://mall.industry.siemens.com/mall/en/en/Catalog/product?mlfb=3RA2932-2G>
- Cax online generator  
<https://support.automation.siemens.com/WW/CAXorder/default.aspx?lang=en&mlfb=3RA2932-2G>



---

last modified:

4/2/2025 