



Wiring kit Electrical and mechanical complete for load feeders for reversing fuseless, Size S2 including mechanical connectors for 60 mm busbar systems with side modules

product brand name	SIRIUS
product category	Wiring modules, connectors and kits
product designation	Wiring kit
design of the product	actuating voltage contactor: AC and DC
product type designation	3RA29

General technical data	
size of the circuit-breaker	S2
size of contactor	S2
Substance Prohibittance (Date)	03/01/2017
Weight	1.22 kg
number of poles	3

Installation/ mounting/ dimensions	
fastening method	screw fixing

Approvals Certificates	
General Product Approval	Test Certificates



[Special Test Certificate](#)

[Type Test Certificates/Test Report](#)

Maritime application



Maritime application	other	Railway	Environment
----------------------	-------	---------	-------------



[Confirmation](#)



[Special Test Certificate](#)

[Environmental Confirmations](#)

Further information

Information on the packaging
<https://support.industry.siemens.com/cs/ww/en/view/109813875>
 Information for data generation and storage
<https://support.industry.siemens.com/cs/ww/en/view/109995012>
 Information- and Downloadcenter (Catalogs, Brochures,...)

<https://www.siemens.com/ic10>

Industry Mall (Online ordering system)

<https://mall.industry.siemens.com/mall/en/en/Catalog/product?mlfb=3RA2933-1DB1>

Cax online generator

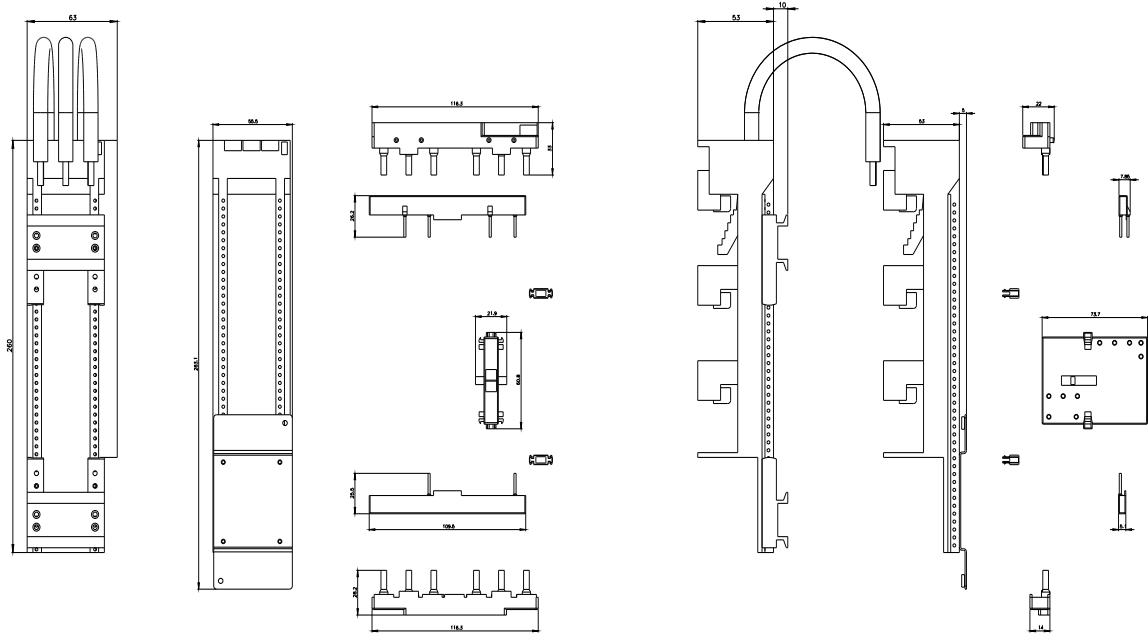
<https://support.automation.siemens.com/WW/CAXorder/default.aspx?lang=en&mlfb=3RA2933-1DB1>

Service&Support (Manuals, Certificates, Characteristics, FAQs,...)

<https://support.industry.siemens.com/cs/ww/en/ps/3RA2933-1DB1>

Image database (product images, 2D dimension drawings, 3D models, device circuit diagrams, EPLAN macros, ...)

https://www.automation.siemens.com/bilddb/cax_de.aspx?mlfb=3RA2933-1DB1&lang=en



last modified:

4/2/2025 