



Interface cover for operator panel 3RA69350A and SIMOCODE 3UF7

**General technical data**

product brand name		SIRIUS
product designation		Interface covers/titanium gray
protection class IP on the front according to IEC 60529		IP20
touch protection on the front according to IEC 60529		Finger-safe, for vertical contact
relative humidity during operation	%	10 ... 90
ambient temperature		
• during transport	°C	-55 ... +80
• during storage	°C	-55 ... +80
• during operation	°C	-20 ... +60
reference code according to EN 61346-2		T

**Installation/ mounting/ dimensions**

width	mm	18
height	mm	16
depth	mm	10

**Certificates/ approvals**

General Product Approval	EMV	other
--------------------------	-----	-------



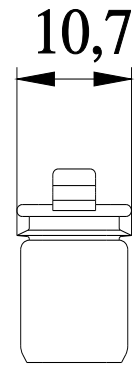
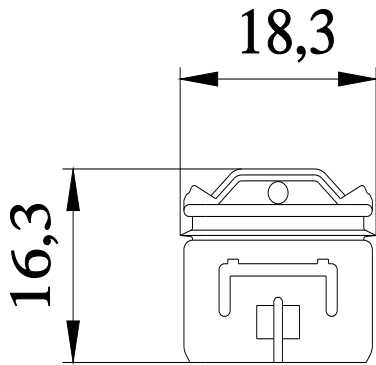
[Confirmation](#)

**Environment**

[Environmental Confirmations](#)

**Further information**

- Information on the packaging <https://support.industry.siemens.com/cs/ww/en/view/109813875>
- Information for data generation and storage <https://support.industry.siemens.com/cs/ww/en/view/109995012>
- Information- and Downloadcenter (Catalogs, Brochures,...) <https://www.siemens.com/ic10>
- Industry Mall (Online ordering system) <https://mall.industry.siemens.com/mall/en/en/Catalog/product?mlfb=3RA6936-0B>
- Cax online generator <https://support.automation.siemens.com/WW/CAXorder/default.aspx?lang=en&mlfb=3RA6936-0B>
- Service&Support (Manuals, Certificates, Characteristics, FAQs,...)



---

last modified:

4/2/2025 