



coupling contactor relay, 4 NO, 24 V DC, 0.85-1.85\*Us, with varistor plugged on, spring-loaded terminal, frame size S00

|  |   |
|--|---|
| <b>product brand name</b>  | SIRIUS  |
| <b>product designation</b>   | Coupling relay for switching auxiliary circuits |
| <b>product type designation</b>  | 3RH2  |
| <b>General technical data</b>  |   |
| <b>size of contactor</b>   | S00   |
| product extension auxiliary switch   | No  |
| power loss [W] for rated value of the current without load current share typical | 1.6 W   |
| insulation voltage with degree of pollution 3 at AC rated value                  | 690 V   |
| <b>degree of pollution</b>   | 3   |
| <b>surge voltage resistance rated value</b>                                      | 6 kV  |
| <b>shock resistance at rectangular impulse</b>                                   |   |
| • at DC  | 10g / 5 ms, 5g / 10 ms                          |
| <b>shock resistance with sine pulse</b>  |   |
| • at DC  | 15g / 5 ms, 8g / 10 ms                          |
| <b>mechanical service life (operating cycles)</b>                                |   |
| • of contactor typical   | 30 000 000                                      |
| <b>reference code according to IEC 81346-2</b>                                   | K   |
| <b>Substance Prohibition (Date)</b>  | 10/01/2009                                      |
| <b>SVHC substance name</b>   | Lead - 7439-92-1                                |
| <b>Weight</b>  | 0.328 kg  |
| <b>Ambient conditions</b>  |   |
| installation altitude at height above sea level maximum                          | 2 000 m   |
| <b>ambient temperature</b>   |   |
| • during operation   | -25 ... +50 °C                                  |
| • during storage   | -55 ... +80 °C                                  |
| <b>relative humidity minimum</b>   | 10 %  |
| <b>relative humidity at 55 °C according to IEC 60068-2-30 maximum</b>            | 95 %  |
| <b>Environmental footprint</b>   |   |
| Environmental Product Declaration (EPD)  | Yes   |
| global warming potential [CO2 eq] total  | 133 kg  |
| global warming potential [CO2 eq] during manufacturing                           | 1.3 kg  |
| global warming potential [CO2 eq] during operation                               | 132 kg  |
| global warming potential [CO2 eq] after end of life                              | -0.227 kg                                       |
| <b>Main circuit</b>  |   |
| <b>no-load switching frequency</b>   |   |
| • at AC  | 10 000 1/h                                      |
| • at DC  | 10 000 1/h                                      |
| <b>Control circuit/ Control</b>  |   |
| <b>type of voltage of the control supply voltage</b>                             | DC  |

|   |               |
|---|---------------|
| <b>control supply voltage at DC rated value</b>                                       | 24 V          |
| <b>operating range factor control supply voltage rated value of magnet coil at DC</b> |               |
| • initial value   | 0.85          |
| • full-scale value  | 1.85          |
| <b>design of the surge suppressor</b>   | Varistor      |
| <b>closing power of magnet coil at DC</b>   | 1.6 W         |
| <b>holding power of magnet coil at DC</b>   | 1.6 W         |
| <b>closing delay</b>  |               |
| • at DC   | 25 ... 120 ms |
| <b>opening delay</b>  |               |
| • at DC   | 5 ... 20 ms   |
| <b>arcing time</b>  | 10 ... 15 ms  |
| <b>Auxiliary circuit</b>  |               |
| <b>number of NC contacts for auxiliary contacts</b>                                   | 0             |
| • instantaneous contact   | 0             |
| <b>number of NO contacts for auxiliary contacts</b>                                   | 4             |
| • instantaneous contact   | 4             |
| <b>identification number and letter for switching elements</b>                        | 40 E          |
| operational current at AC-12 maximum  | 10 A          |
| <b>operational current at AC-15</b>   |               |
| • at 230 V rated value  | 10 A          |
| • at 400 V rated value  | 3 A           |
| • at 500 V rated value  | 2 A           |
| • at 690 V rated value  | 1 A           |
| <b>operational current at 1 current path at DC-12</b>                                 |               |
| • at 24 V rated value   | 10 A          |
| • at 110 V rated value  | 3 A           |
| • at 220 V rated value  | 1 A           |
| • at 440 V rated value  | 0.3 A         |
| • at 600 V rated value  | 0.15 A        |
| <b>operational current with 2 current paths in series at DC-12</b>                    |               |
| • at 24 V rated value   | 10 A          |
| • at 60 V rated value   | 10 A          |
| • at 110 V rated value  | 4 A           |
| • at 220 V rated value  | 2 A           |
| • at 440 V rated value  | 1.3 A         |
| • at 600 V rated value  | 0.65 A        |
| <b>operational current with 3 current paths in series at DC-12</b>                    |               |
| • at 24 V rated value   | 10 A          |
| • at 60 V rated value   | 10 A          |
| • at 110 V rated value  | 10 A          |
| • at 220 V rated value  | 3.6 A         |
| • at 440 V rated value  | 2.5 A         |
| • at 600 V rated value  | 1.8 A         |
| <b>operating frequency at DC-12 maximum</b>   | 1 000 1/h     |
| <b>operational current at 1 current path at DC-13</b>                                 |               |
| • at 24 V rated value   | 10 A          |
| • at 110 V rated value  | 1 A           |
| • at 220 V rated value  | 0.3 A         |
| • at 440 V rated value  | 0.14 A        |
| • at 600 V rated value  | 0.1 A         |
| <b>operational current with 2 current paths in series at DC-13</b>                    |               |
| • at 24 V rated value   | 10 A          |
| • at 60 V rated value   | 3.5 A         |
| • at 110 V rated value  | 1.3 A         |
| • at 220 V rated value  | 0.9 A         |
| • at 440 V rated value  | 0.2 A         |
| • at 600 V rated value  | 0.1 A         |
| <b>operational current with 3 current paths in series at DC-13</b>                    |               |
| • at 24 V rated value   | 10 A          |

|   |  |
|---|--|
| <ul style="list-style-type: none"> <li>• at 60 V rated value</li> <li>• at 110 V rated value</li> <li>• at 220 V rated value</li> <li>• at 440 V rated value</li> <li>• at 600 V rated value</li> </ul>   | 4.7 A<br>3 A<br>1.2 A<br>0.5 A<br>0.26 A   |
| <b>operating frequency at DC-13 maximum</b>   | 1 000 1/h  |
| <b>contact reliability of auxiliary contacts</b>  | 1 faulty switching per 100 million (17 V, 1 mA)  |
| <b>UL/CSA ratings</b>   |  |
| <b>contact rating of auxiliary contacts according to UL</b>   | A600 / Q600  |
| <b>Short-circuit protection</b>   |  |
| design of the miniature circuit breaker for short-circuit protection of the auxiliary circuit up to 230 V   | C characteristic: 10 A; 0.4 kA   |
| design of the fuse link for short-circuit protection of the auxiliary switch required   | gG: 10 A (690 V, 1 kA)   |
| <b>Installation/ mounting/ dimensions</b>   |  |
| <b>mounting position</b>  | +/-180° rotation possible on vertical mounting surface; can be tilted forward and backward by +/- 22.5° on vertical mounting surface |
| <b>fastening method</b>   | screw and snap-on mounting onto 35 mm DIN rail   |
| <b>height</b>   | 70 mm  |
| <b>width</b>  | 45 mm  |
| <b>depth</b>  | 73 mm  |
| <b>required spacing</b>   |  |
| <ul style="list-style-type: none"> <li>• with side-by-side mounting               <ul style="list-style-type: none"> <li>— forwards</li> <li>— upwards</li> <li>— downwards</li> <li>— at the side</li> </ul> </li> <li>• for grounded parts               <ul style="list-style-type: none"> <li>— forwards</li> <li>— upwards</li> <li>— at the side</li> <li>— downwards</li> </ul> </li> <li>• for live parts               <ul style="list-style-type: none"> <li>— forwards</li> <li>— upwards</li> <li>— downwards</li> <li>— at the side</li> </ul> </li> </ul> | 10 mm<br>10 mm<br>10 mm<br>0 mm<br><br>10 mm<br>10 mm<br>6 mm<br>10 mm<br><br>10 mm<br>10 mm<br>10 mm<br>6 mm                        |
| <b>Connections/ Terminals</b>   |  |
| type of electrical connection for auxiliary and control circuit   | spring-loaded terminals  |
| <b>type of connectable conductor cross-sections</b>   |  |
| <ul style="list-style-type: none"> <li>• for auxiliary contacts               <ul style="list-style-type: none"> <li>— solid or stranded</li> <li>— finely stranded with core end processing</li> <li>— finely stranded without core end processing</li> </ul> </li> <li>• for AWG cables for auxiliary contacts</li> </ul>   | 2x (0.5 ... 4 mm <sup>2</sup> )<br>2x (0.5 ... 2.5 mm <sup>2</sup> )<br>2x (0.5 ... 2.5 mm <sup>2</sup> )<br>2x (20 ... 12)          |
| <b>Safety related data</b>  |  |
| <b>product function</b>   |  |
| <ul style="list-style-type: none"> <li>• positively driven operation according to IEC 60947-5-1</li> <li>• suitable for safety function</li> </ul>  | Yes<br>Yes   |
| suitability for use safety-related switching OFF  | Yes  |
| <b>service life maximum</b>   | 20 a   |
| <b>proportion of dangerous failures</b>   |  |
| <ul style="list-style-type: none"> <li>• with low demand rate according to SN 31920</li> <li>• with high demand rate according to SN 31920</li> </ul>   | 40 %<br>73 %   |
| <b>B10 value with high demand rate according to SN 31920</b>  | 1 000 000; With 0.3 x I <sub>e</sub>   |
| <b>failure rate [FIT] with low demand rate according to SN 31920</b>  | 100 FIT  |
| <b>ISO 13849</b>  |  |
| <b>device type according to ISO 13849-1</b>   | 3  |
| <b>overdimensioning according to ISO 13849-2 necessary</b>  | Yes  |
| <b>IEC 61508</b>  |  |
| <b>safety device type according to IEC 61508-2</b>  | Type A   |

|   |  |
|---|--|
| Electrical Safety                                       |  |
| protection class IP on the front according to IEC 60529 | IP20   |
| touch protection on the front according to IEC 60529    | finger-safe, for vertical contact from the front |

**Approvals Certificates**

**General Product Approval**



KC



|                          |     |                   |                   |                      |
|--------------------------|-----|-------------------|-------------------|----------------------|
| General Product Approval | EMV | Functional Safety | Test Certificates | Maritime application |
|--------------------------|-----|-------------------|-------------------|----------------------|



[Type Examination Certificate](#)

[Special Test Certificate](#)

[Type Test Certificates/Test Report](#)



**Maritime application**



|       |         |                 |             |
|-------|---------|-----------------|-------------|
| other | Railway | Dangerous goods | Environment |
|-------|---------|-----------------|-------------|

[Miscellaneous](#)



[Confirmation](#)

[Special Test Certificate](#)

[Transport Information](#)

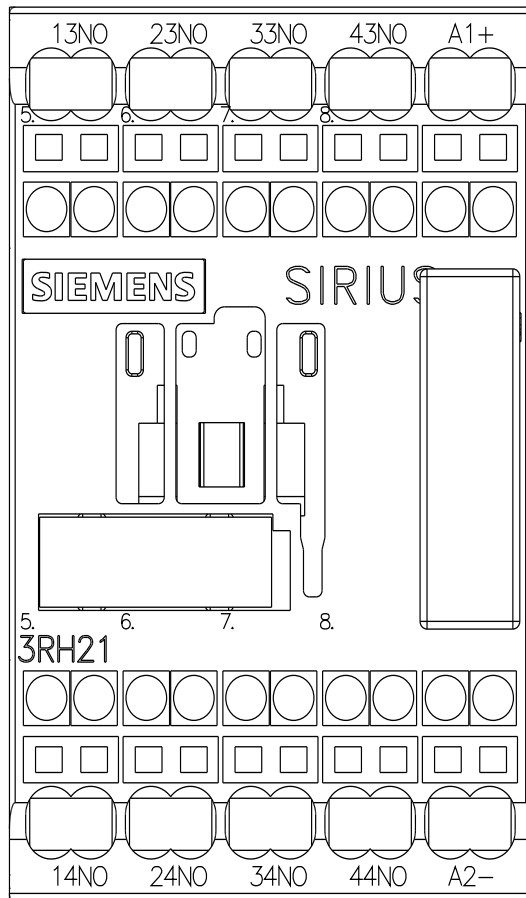
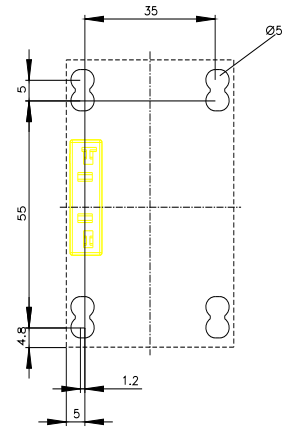
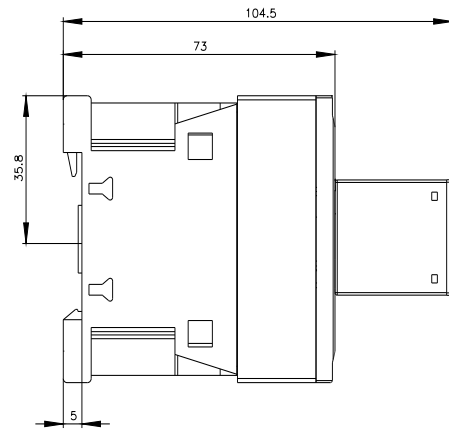
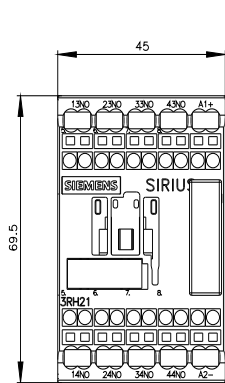


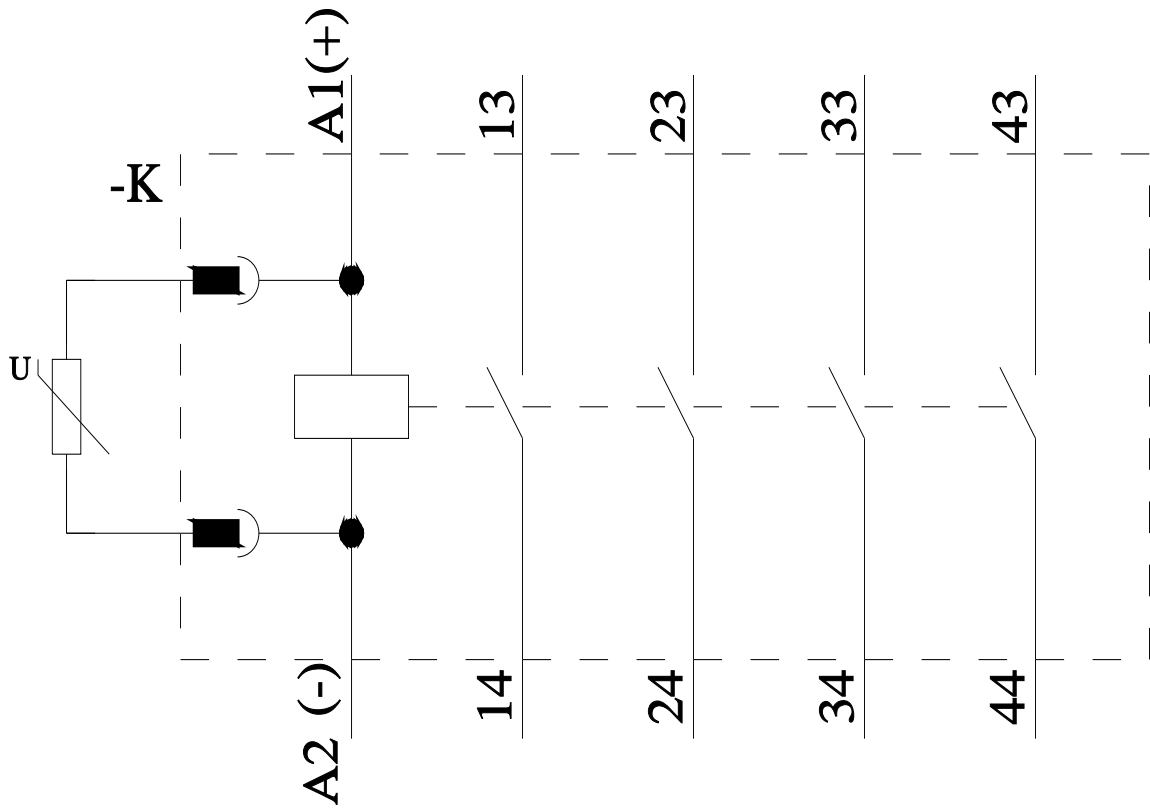
**Environment**

[Environmental Confirmations](#)

**Further information**

- Information on the packaging  
<https://support.industry.siemens.com/cs/ww/en/view/109813875>
- Information for data generation and storage  
<https://support.industry.siemens.com/cs/ww/en/view/109995012>
- Information- and Downloadcenter (Catalogs, Brochures,...)  
<https://www.siemens.com/ic10>
- Industry Mall (Online ordering system)  
<https://mall.industry.siemens.com/mall/en/en/Catalog/product?mlfb=3RH2140-2WB40>
- Cax online generator  
<https://support.automation.siemens.com/WW/CAXorder/default.aspx?lang=en&mlfb=3RH2140-2WB40>
- Service&Support (Manuals, Certificates, Characteristics, FAQs,...)  
<https://support.industry.siemens.com/cs/ww/en/ps/3RH2140-2WB40>
- Image database (product images, 2D dimension drawings, 3D models, device circuit diagrams, EPLAN macros, ...)  
[https://www.automation.siemens.com/bilddb/cax\\_de.aspx?mlfb=3RH2140-2WB40&lang=en](https://www.automation.siemens.com/bilddb/cax_de.aspx?mlfb=3RH2140-2WB40&lang=en)
- Characteristic: Tripping characteristics, I<sub>t</sub>, Let-through current  
<https://support.industry.siemens.com/cs/ww/en/ps/3RH2140-2WB40/char>
- Further characteristics (e.g. electrical endurance, switching frequency)  
<https://www.automation.siemens.com/bilddb/index.aspx?view=Search&mlfb=3RH2140-2WB40&objecttype=14&gridview=view1>





last modified:

9/5/2025 