



AS-Interface mounting plate K60 for compact modules K60 for installation on standard mounting rail for 2 flat cables AS-i cable (yellow) and AS-i cable 24 V (black)

product brand name	SIRIUS
design of the product	K60 mounting plate for standard rail mounting
protection class IP	IP67 with screw-mounted K60 compact module
Substance Prohibittance (Date)	07/01/2006
Weight	91 g

Ambient conditions	
ambient temperature	
• during operation	-25 ... +85 °C
type of electrical connection	insulation piercing method for AS-Interface flat cable

Approvals Certificates			
General Product Approval	EMV	Maritime application	other



other	Environment
-------	-------------

[Confirmation](#)

[Environmental Confirmations](#)

Further information

Siemens is working on the renewal of the current EAC certificates. Please contact your local Siemens office on the status of validity of the EAC certification if you intend to import or offer to supply these products to an EAC relevant market (other than the sanctioned EAEU member states Russia or Belarus).

Siemens has decided to exit the Russian market (see here). <https://press.siemens.com/global/en/pressrelease/siemens-wind-down-russian-business>

Information on the packaging <https://support.industry.siemens.com/cs/ww/en/view/109813875>

Information for data generation and storage <https://support.industry.siemens.com/cs/ww/en/view/109995012>

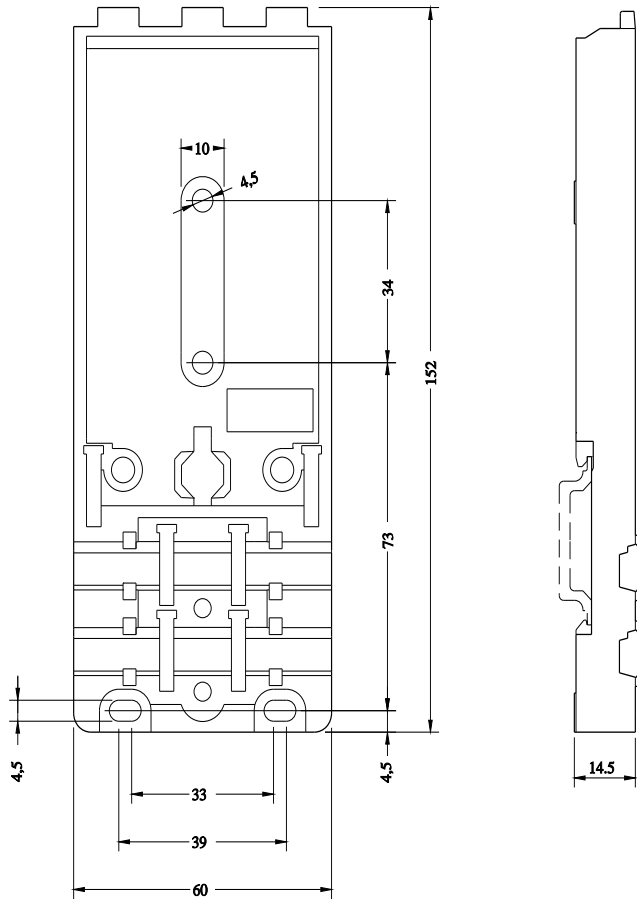
Information- and Downloadcenter (Catalogs, Brochures,...) <https://www.siemens.com/ic10>

Industry Mall (Online ordering system) <https://mall.industry.siemens.com/mall/en/en/Catalog/product?mlfb=3RK1901-0CB01>

Cax online generator <https://support.automation.siemens.com/WW/CAXorder/default.aspx?lang=en&mlfb=3RK1901-0CB01>

Service&Support (Manuals, Certificates, Characteristics, FAQs,...) <https://support.industry.siemens.com/cs/ww/en/ps/3RK1901-0CB01>

Image database (product images, 2D dimension drawings, 3D models, device circuit diagrams, EPLAN macros, ...) https://www.automation.siemens.com/bilddb/cax_de.aspx?mlfb=3RK1901-0CB01&lang=en



last modified:

11/13/2025 