

Connector for PROFINET 4-core, shielded



| General technical data | | |
|--|------------------|--|
| ampacity per pin maximum | A | 4 |
| operating voltage maximum | V | 250 |
| flow resistance maximum | $\Omega \cdot m$ | 3 |
| Mechanical data | | |
| type of connection technology | | Screw terminals |
| connector type | | Pin |
| connector coding of the M12 circular connector | | D |
| type of cable outlet | | angled |
| number of poles | | 4 |
| connectable conductor cross-section for flexible conductor maximum | mm ² | 0.75 |
| diameter of inlet opening | mm | 6 ... 8 |
| material | | |
| • of the contact | | Brass |
| • of contact coating | | Gold |
| • of connector fixed part | | Polyamide |
| • of the enclosure | | Zinc diecast, nickel-plated |
| depth | mm | 20 |
| height | mm | 54 |
| width | mm | 43 |
| type of strain relief | | Pressure screw, pinch ring |
| mechanical service life (mating cycles) | | 100 |
| type of plug interlock | | M12 x 1 thread |
| Ambient conditions | | |
| ambient temperature | | |
| • during storage | °C | -25 ... +85 |
| • during operation | °C | -25 ... +85 |
| protection class IP | | IP67 |
| chemical resistance | | |
| • to mineral oil | | conditional, must be checked relative to the application |
| • to water | | conditional, must be checked relative to the application |
| • to grease | | conditional, must be checked relative to the application |
| Certificates/ approvals | | |
| certificate of suitability | | |
| • CSA approval | | No |
| • RoHS conformity | | Yes |
| • UL approval | | No |
| • CCC | | No |
| • IEC approval | | No |

- cUL approval
- C-Tick

No
No

Further information

Information on the packaging

<https://support.industry.siemens.com/cs/ww/en/view/109813875>

Information for data generation and storage

<https://support.industry.siemens.com/cs/ww/en/view/109995012>

Information- and Downloadcenter (Catalogs, Brochures,...)

<https://www.siemens.com/ic10>

Industry Mall (Online ordering system)

<https://mall.industry.siemens.com/mall/en/en/Catalog/product?mlfb=3RK1902-2DA00>

Cax online generator

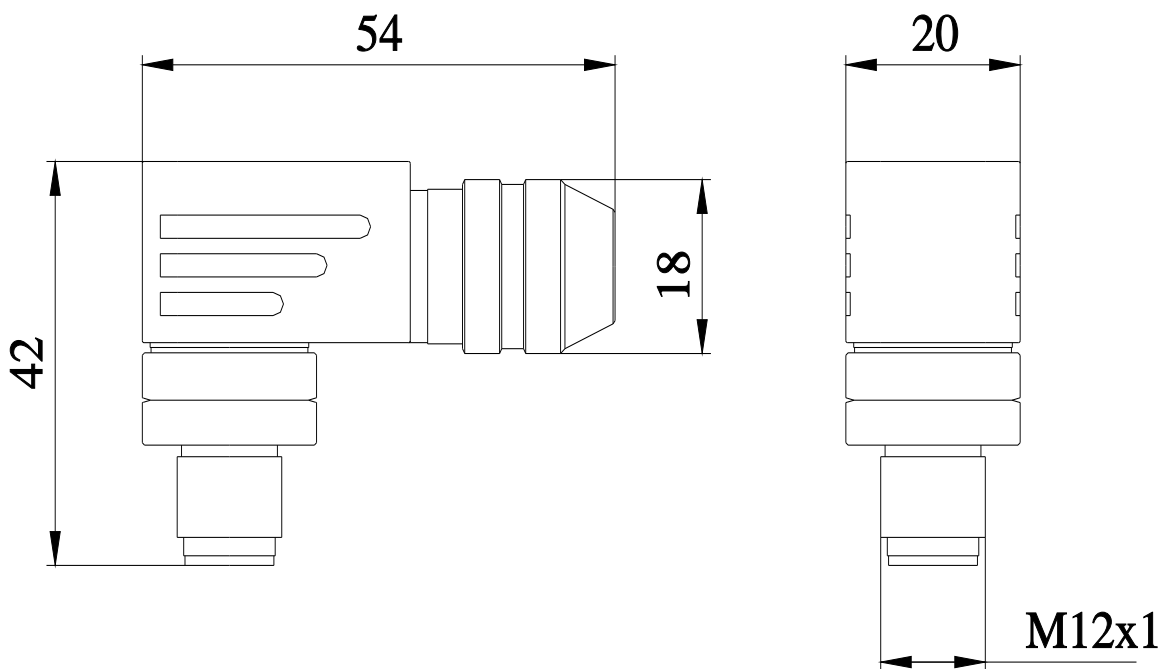
<https://support.automation.siemens.com/WW/CAXorder/default.aspx?lang=en&mlfb=3RK1902-2DA00>

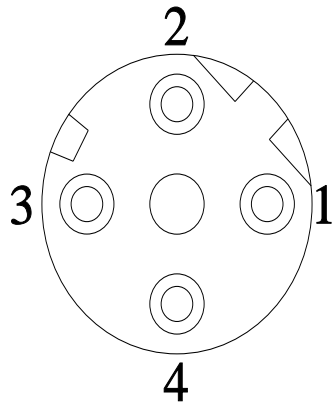
Service&Support (Manuals, Certificates, Characteristics, FAQs,...)

<https://support.industry.siemens.com/cs/ww/en/ps/3RK1902-2DA00>

Image database (product images, 2D dimension drawings, 3D models, device circuit diagrams, EPLAN macros, ...)

https://www.automation.siemens.com/bilddb/cax_de.aspx?mlfb=3RK1902-2DA00&lang=en





| | | |
|---|--|----------------|
| 1 | | yellow/ gelb |
| 2 | | white/ weiss |
| 3 | | orange/ orange |
| 4 | | blue/ blau |

last modified:

4/2/2025