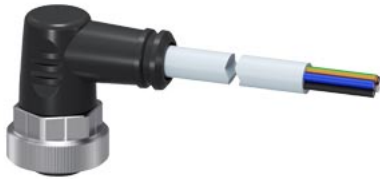


Power line 7/8" for 24 V connected and unconnected assembled with 1 x 7/8" angled on one side, 1.5 mm<sup>2</sup> Socket, 5-pole, Length 3.0 m



General technical data		
product description		7/8" socket, angled
wire length	m	3
General technical data		
ampacity per pin maximum	A	8
operating voltage		
• 1		
— at DC maximum	V	230
— at AC maximum	V	230
• 2		
— at DC maximum	V	400
— at AC maximum	V	400
surge voltage resistance rated value	kV	3
Mechanical data		
number of electrical cores		5
type of cable outlet		angled
number of poles		5
color		
• of cable sheath		gray
• of the insulation of data wires		black, blue, green yellow, brown, white
material		
• of cable sheath		Polyurethane
• of the wire insulation		polypropylene (PP)
• of the enclosure		polyurethane
design of the shield		unshielded
type of strain relief		molded
bending radius		
• with single bend minimum permissible	mm	65.25
• with multiple bends minimum permissible	mm	87
number of bending cycles		5 000 000
mechanical service life (mating cycles)		100
outer diameter		
• of the wire insulation	mm	2.3
• of inner conductor	mm	84
• of the cable	mm	8.7
symmetrical tolerance of the outer diameter of the cable	mm	0.2
type of connectable conductor cross-sections stranded		5 x 1.5 mm <sup>2</sup>
type of plug interlock		7/8 thread
cable end components		open on one side
Ambient conditions		

<b>ambient temperature</b> • during storage • during operation	°C	-25 ... +80
	°C	80 ... -20
<b>protection class IP</b>		IP67
<b>chemical resistance</b> • to mineral oil • to water • to grease		conditional, must be checked relative to the application conditional, must be checked relative to the application conditional, must be checked relative to the application
<b>degree of pollution</b>		3

**Certificates/ approvals**

<b>certificate of suitability</b> • CSA approval • RoHS conformity • UL approval • CCC • IEC approval • cUL approval • C-Tick		Yes
		Yes
		No
		No
		No
		No
		No

**Further information**

**Information on the packaging**

<https://support.industry.siemens.com/cs/ww/en/view/109813875>

**Information for data generation and storage**

<https://support.industry.siemens.com/cs/ww/en/view/109995012>

**Information- and Downloadcenter (Catalogs, Brochures,...)**

<https://www.siemens.com/ic10>

**Industry Mall (Online ordering system)**

<https://mall.industry.siemens.com/mall/en/en/Catalog/product?mlfb=3RK1902-3GB30>

**Cax online generator**

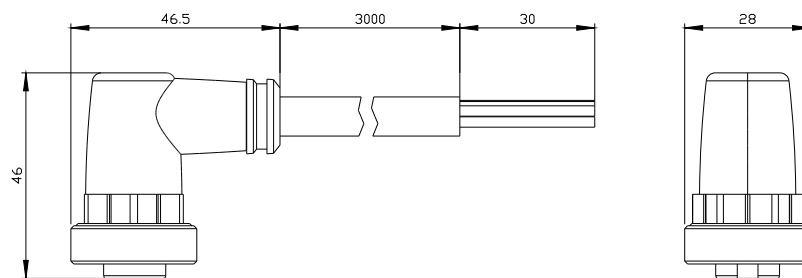
<https://support.automation.siemens.com/WW/CAXorder/default.aspx?lang=en&mlfb=3RK1902-3GB30>

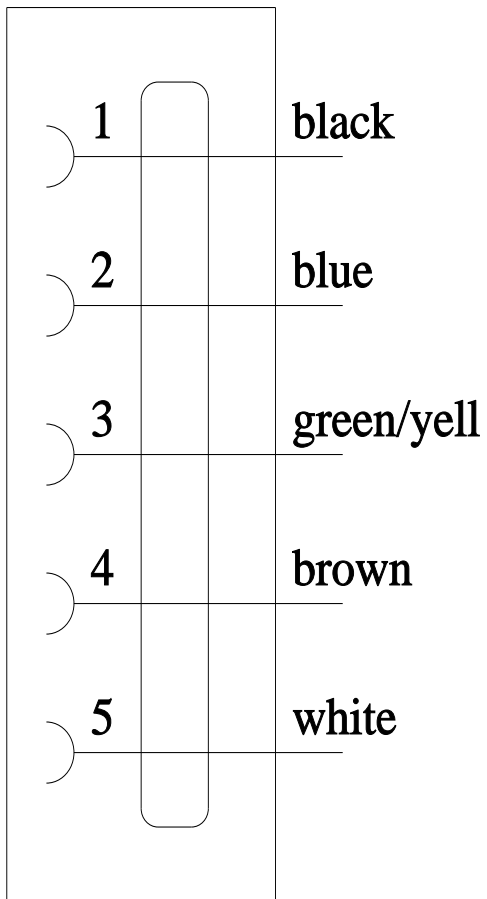
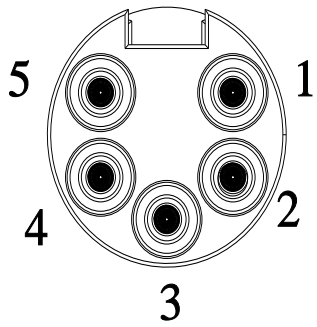
**Service&Support (Manuals, Certificates, Characteristics, FAQs,...)**

<https://support.industry.siemens.com/cs/ww/en/ps/3RK1902-3GB30>

**Image database (product images, 2D dimension drawings, 3D models, device circuit diagrams, EPLAN macros, ...)**

[https://www.automation.siemens.com/bilddb/cax\\_de.aspx?mlfb=3RK1902-3GB30&lang=en](https://www.automation.siemens.com/bilddb/cax_de.aspx?mlfb=3RK1902-3GB30&lang=en)





last modified:

4/2/2025 