



SIRIUS MCU motor starter Enclosure degree of protection IP55 plastic
 Communication without electromechanically switching Short-circuit protection with
 circuit breaker DOL starter Brake without Performance class 1.60 A Motor circuit
 breaker with bi-metal thermal Manual operation without Connection power M screw
 connection Standard product

| | |
|--|-----------------------------------|
| product brand name | SIRIUS |
| product designation | motor starter MCU, I/O controlled |
| design of the product | direct starter |
| product function bus communication | No |
| operating frequency minimum | 80 1/h |
| type of coordination | 1 |
| reference code according to IEC 81346-2 | Q |
| Substance Prohibitance (Date) | 05/01/2012 |
| SVHC substance name | Lead - 7439-92-1 |
| Weight | 1.948 kg |
| product component motor brake output | No |
| product feature | |
| • brake control with 400 V AC | No |
| • brake control with 24 V DC | No |
| • brake control with 180 V DC | No |
| • brake control with 500 V DC | No |
| product extension braking module for brake control | No |
| design of short-circuit protection | circuit-breakers |
| maximum short-circuit current breaking capacity (I _{cu}) at 400 V rated value | 50 000 A |
| Safety related data | |
| proportion of dangerous failures | |
| • with low demand rate according to SN 31920 | 50 % |
| • with high demand rate according to SN 31920 | 75 % |
| B10 value with high demand rate according to SN 31920 | 1 000 000 |
| failure rate [FIT] with low demand rate according to SN 31920 | 100 FIT |
| IEC 61508 | |
| T1 value for proof test interval or service life according to IEC 61508 | 20 a |
| Electrical Safety | |
| touch protection against electrical shock | finger-safe |
| Main circuit | |
| number of poles for main current circuit | 3 |
| design of the switching contact | electromechanical |
| adjustable current response value current of the current-dependent overload release | 1.1 ... 1.6 A |
| type of the motor protection | bimetal |
| type of voltage | DC |
| operating voltage rated value | 340 ... 440 V |
| operating frequency 1 rated value | 50 Hz |

| | |
|--|--|
| operating frequency 2 rated value | 60 Hz |
| relative positive tolerance of the operating frequency | 10 % |
| relative negative tolerance of the operating frequency | -10 % |
| operational current | |
| • at AC at 400 V rated value | 1.6 A |
| • at AC-3 at 400 V rated value | 1.6 A |
| operating power at AC-3 at 400 V rated value | 0.6 kW |
| operating power for 3-phase motors at 400 V at 50 Hz | 0.55 ... 0.55 kW |
| number of digital inputs | 0 |
| type of voltage of the supply voltage | DC |
| control supply voltage at DC rated value | 20.4 ... 26.4 V |
| mounting position | +/-180° rotation possible on vertical mounting surface; can be tilted forward and backward by +/- 22.5° on vertical mounting surface |
| height | 220 mm |
| width | 182 mm |
| depth | 145 mm |

| Ambient conditions | |
|--|----------------------|
| ambient temperature during operation | -25 ... +35 °C |
| protocol is supported | |
| • PROFIBUS DP protocol | No |
| • PROFINET protocol | No |
| protocol is supported AS-Interface protocol | No |
| type of electrical connection for main current circuit | screw-type terminals |

| Approvals Certificates | | |
|--------------------------|-------------------|-------|
| General Product Approval | Test Certificates | other |



[Type Test Certificates/Test Report](#)



[Confirmation](#)

| Dangerous goods | Environment |
|-----------------|-------------|
|-----------------|-------------|

[Transport Information](#)

[Environmental Conformations](#)

Further information

Information on the packaging

<https://support.industry.siemens.com/cs/ww/en/view/109813875>

Information for data generation and storage

<https://support.industry.siemens.com/cs/ww/en/view/109995012>

Information- and Downloadcenter (Catalogs, Brochures,...)

<https://www.siemens.com/ic10>

Industry Mall (Online ordering system)

<https://mall.industry.siemens.com/mall/en/en/Catalog/product?mlfb=3RK4340-3ER51-0BA0>

Cax online generator

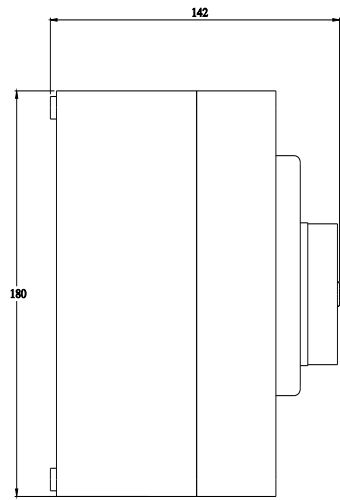
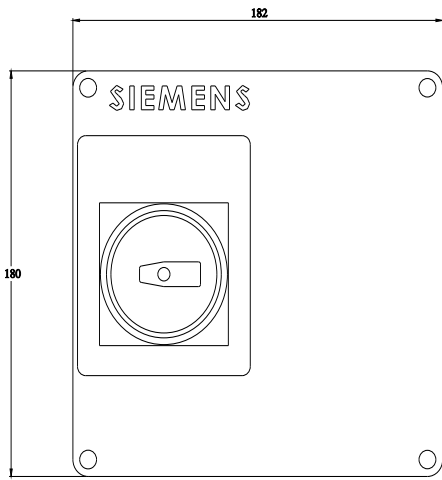
<https://support.automation.siemens.com/WW/CAXorder/default.aspx?lang=en&mlfb=3RK4340-3ER51-0BA0>

Service&Support (Manuals, Certificates, Characteristics, FAQs,...)

<https://support.industry.siemens.com/cs/ww/en/ps/3RK4340-3ER51-0BA0>

Image database (product images, 2D dimension drawings, 3D models, device circuit diagrams, EPLAN macros, ...)

https://www.automation.siemens.com/bilddb/cax_de.aspx?mlfb=3RK4340-3ER51-0BA0&lang=en



last modified:

4/1/2025 