



power contactor AC-1 400 A / 690 V / 40 °C 3-pole, U<sub>c</sub>: 200-277 V AC(50-60 Hz) / DC PLC input 24 V DC drive: electronic auxiliary contacts 2 NO + 2 NC main circuit: busbar control and auxiliary circuit: screw terminal

<b>product brand name</b>	SIRIUS
<b>product designation</b>	Contacteur
<b>product type designation</b>	3RT14
<b>General technical data</b>	
<b>size of contactor</b>	S10
<b>product extension</b>	
• function module for communication	No
• auxiliary switch	Yes
<b>power loss [W] for rated value of the current</b>	
• at AC in hot operating state	105.6 W
• at AC in hot operating state per pole	35.2 W
• without load current share typical	3.4 W
<b>type of calculation of power loss depending on pole</b>	quadratic
<b>insulation voltage</b>	
• of main circuit with degree of pollution 3 rated value	1 000 V
• of auxiliary circuit with degree of pollution 3 rated value	500 V
<b>surge voltage resistance</b>	
• of main circuit rated value	8 kV
• of auxiliary circuit rated value	6 kV
<b>shock resistance at rectangular impulse</b>	
• at AC	8,5g / 5 ms, 4,2g / 10 ms
• at DC	8,5g / 5 ms, 4,2g / 10 ms
<b>shock resistance with sine pulse</b>	
• at AC	13,4g / 5 ms, 6,5g / 10 ms
• at DC	13,4g / 5 ms, 6,5g / 10 ms
<b>mechanical service life (operating cycles)</b>	
• of contactor typical	10 000 000
• of the contactor with added electronically optimized auxiliary switch block typical	5 000 000
• of the contactor with added auxiliary switch block typical	10 000 000
<b>reference code according to IEC 81346-2</b>	Q
<b>Substance Prohibitance (Date)</b>	05/01/2012
<b>SVHC substance name</b>	Lead - 7439-92-1 Lead monoxide (lead oxide) - 1317-36-8 6,6'-di-tert-butyl-2,2'-methylenedi-p-cresol - 119-47-1
<b>Weight</b>	6.56 kg
<b>Ambient conditions</b>	
installation altitude at height above sea level maximum	2 000 m
<b>ambient temperature</b>	
• during operation	-25 ... +60 °C
• during storage	-55 ... +80 °C

relative humidity minimum	10 %
relative humidity at 55 °C according to IEC 60068-2-30 maximum	95 %
<b>Main circuit</b>	
number of poles for main current circuit	3
number of NO contacts for main contacts	3
number of NC contacts for main contacts	0
type of voltage for main current circuit	AC
<b>operational current</b>	
<ul style="list-style-type: none"> <li>● at AC-1 <ul style="list-style-type: none"> <li>— up to 690 V at ambient temperature 40 °C rated value</li> <li>— up to 690 V at ambient temperature 55 °C rated value</li> <li>— up to 690 V at ambient temperature 60 °C rated value</li> </ul> </li> <li>● at AC-3 <ul style="list-style-type: none"> <li>— at 400 V rated value</li> <li>— at 690 V rated value</li> </ul> </li> </ul>	<p>400 A</p> <p>380 A</p> <p>380 A</p> <p>138 A</p> <p>138 A</p>
minimum cross-section in main circuit at maximum AC-1 rated value	240 mm <sup>2</sup>
<b>operational current</b>	
<ul style="list-style-type: none"> <li>● at 1 current path at DC-1 <ul style="list-style-type: none"> <li>— at 24 V rated value</li> <li>— at 60 V rated value</li> <li>— at 110 V rated value</li> <li>— at 220 V rated value</li> <li>— at 440 V rated value</li> <li>— at 600 V rated value</li> </ul> </li> <li>● with 2 current paths in series at DC-1 <ul style="list-style-type: none"> <li>— at 24 V rated value</li> <li>— at 60 V rated value</li> <li>— at 110 V rated value</li> <li>— at 220 V rated value</li> <li>— at 440 V rated value</li> <li>— at 600 V rated value</li> </ul> </li> <li>● with 3 current paths in series at DC-1 <ul style="list-style-type: none"> <li>— at 24 V rated value</li> <li>— at 60 V rated value</li> <li>— at 110 V rated value</li> <li>— at 220 V rated value</li> <li>— at 440 V rated value</li> <li>— at 600 V rated value</li> </ul> </li> <li>● at 1 current path at DC-3 at DC-5 <ul style="list-style-type: none"> <li>— at 24 V rated value</li> <li>— at 60 V rated value</li> <li>— at 110 V rated value</li> <li>— at 220 V rated value</li> <li>— at 440 V rated value</li> <li>— at 600 V rated value</li> </ul> </li> <li>● with 2 current paths in series at DC-3 at DC-5 <ul style="list-style-type: none"> <li>— at 24 V rated value</li> <li>— at 60 V rated value</li> <li>— at 110 V rated value</li> <li>— at 220 V rated value</li> <li>— at 440 V rated value</li> <li>— at 600 V rated value</li> </ul> </li> <li>● with 3 current paths in series at DC-3 at DC-5 <ul style="list-style-type: none"> <li>— at 24 V rated value</li> <li>— at 60 V rated value</li> <li>— at 110 V rated value</li> <li>— at 220 V rated value</li> </ul> </li> </ul>	<p>380 A</p> <p>380 A</p> <p>33 A</p> <p>3.8 A</p> <p>0.9 A</p> <p>0.6 A</p> <p>380 A</p> <p>380 A</p> <p>380 A</p> <p>380 A</p> <p>4 A</p> <p>2 A</p> <p>380 A</p> <p>380 A</p> <p>380 A</p> <p>380 A</p> <p>11 A</p> <p>5.2 A</p> <p>380 A</p> <p>11 A</p> <p>3 A</p> <p>0.6 A</p> <p>0.18 A</p> <p>0.125 A</p> <p>380 A</p> <p>380 A</p> <p>380 A</p> <p>2.5 A</p> <p>0.65 A</p> <p>0.37 A</p> <p>380 A</p> <p>380 A</p> <p>380 A</p> <p>380 A</p>

— at 440 V rated value	1.4 A
— at 600 V rated value	0.75 A
<b>no-load switching frequency</b>	
• at AC	1 000 1/h
• at DC	1 000 1/h
operating frequency at AC-1 maximum	600 1/h
<b>Control circuit/ Control</b>	
<b>type of voltage</b>	AC/DC
<b>type of voltage of the control supply voltage</b>	AC/DC
<b>control supply voltage at AC</b>	
• at 50 Hz rated value	200 ... 277 V
• at 60 Hz rated value	200 ... 277 V
<b>control supply voltage at DC rated value</b>	200 ... 277 V
<b>operating range factor control supply voltage rated value of magnet coil at DC</b>	
• initial value	0.8
• full-scale value	1.1
<b>operating range factor control supply voltage rated value of magnet coil at AC</b>	
• at 50 Hz	0.8 ... 1.1
• at 60 Hz	0.8 ... 1.1
<b>type of PLC-control input according to IEC 60947-1</b>	Type 2
<b>consumed current at PLC-control input according to IEC 60947-1 maximum</b>	20 mA
<b>design of the surge suppressor</b>	with varistor
<b>apparent pick-up power</b>	
• at minimum rated control supply voltage at AC	
— at 50 Hz	400 VA
— at 60 Hz	400 VA
• at maximum rated control supply voltage at AC	
— at 60 Hz	530 VA
— at 50 Hz	530 VA
<b>apparent pick-up power of magnet coil at AC</b>	
• at 50 Hz	530 VA
<b>inductive power factor with closing power of the coil</b>	
• at 50 Hz	0.8
<b>apparent holding power</b>	
• at minimum rated control supply voltage at DC	2.8 VA
• at maximum rated control supply voltage at DC	3.4 VA
<b>apparent holding power</b>	
• at minimum rated control supply voltage at AC	
— at 50 Hz	5.5 VA
— at 60 Hz	5.5 VA
• at maximum rated control supply voltage at AC	
— at 50 Hz	8.5 VA
— at 60 Hz	8.5 VA
<b>apparent holding power of magnet coil at AC</b>	
• at 50 Hz	5 VA
<b>inductive power factor with the holding power of the coil</b>	
• at 50 Hz	0.5
<b>closing power of magnet coil at DC</b>	580 W
<b>holding power of magnet coil at DC</b>	3.4 W
<b>closing delay</b>	
• at AC	45 ... 80 ms
• at DC	45 ... 80 ms
<b>opening delay</b>	
• at AC	80 ... 100 ms
• at DC	80 ... 100 ms
<b>arcing time</b>	10 ... 15 ms
<b>control version of the switch operating mechanism</b>	PLC-IN or Standard A1 - A2 (adjustable)
<b>Auxiliary circuit</b>	

<b>number of NC contacts for auxiliary contacts</b>	2
• attachable	4
• instantaneous contact	2
<b>number of NO contacts for auxiliary contacts</b>	2
• attachable	4
• instantaneous contact	2
operational current at AC-12 maximum	10 A
<b>operational current at AC-15</b>	
• at 230 V rated value	6 A
• at 400 V rated value	3 A
• at 500 V rated value	2 A
• at 690 V rated value	1 A
<b>operational current at DC-13</b>	
• at 24 V rated value	10 A
• at 48 V rated value	2 A
• at 60 V rated value	2 A
• at 110 V rated value	1 A
• at 125 V rated value	0.9 A
• at 220 V rated value	0.3 A
• at 600 V rated value	0.1 A
<b>contact reliability of auxiliary contacts</b>	1 faulty switching per 100 million (17 V, 1 mA)
<b>Short-circuit protection</b>	
design of the miniature circuit breaker for short-circuit protection of the auxiliary circuit up to 230 V	C characteristic: 10 A; 0.4 kA
<b>design of the fuse link</b>	
• for short-circuit protection of the main circuit	
— with type of coordination 1 required	gG: 500 A (690 V, 100 kA)
— with type of coordination 2 required	gR: 500 A (690 V, 100 kA)
• for short-circuit protection of the auxiliary switch required	gG: 10 A (500 V, 1 kA)
<b>Installation/ mounting/ dimensions</b>	
<b>mounting position</b>	with vertical mounting surface +/-90° rotatable, with vertical mounting surface +/- 22.5° tiltable to the front and back
fastening method side-by-side mounting	Yes
<b>fastening method</b>	screw fixing
<b>height</b>	210 mm
<b>width</b>	145 mm
<b>depth</b>	202 mm
<b>required spacing</b>	
• with side-by-side mounting	
— forwards	20 mm
— upwards	10 mm
— downwards	10 mm
— at the side	0 mm
• for grounded parts	
— forwards	20 mm
— upwards	10 mm
— at the side	10 mm
— downwards	10 mm
• for live parts	
— forwards	20 mm
— upwards	10 mm
— downwards	10 mm
— at the side	10 mm
<b>Connections/ Terminals</b>	
<b>type of electrical connection</b>	
• for main current circuit	Connection bar
• for auxiliary and control circuit	screw-type terminals
• at contactor for auxiliary contacts	Screw-type terminals
• of magnet coil	Screw-type terminals
<b>width of connection bar</b>	25 mm
<b>thickness of connection bar</b>	6 mm

diameter of holes	11 mm
number of holes	1
type of connectable conductor cross-sections	
• for AWG cables for main contacts	2/0 ... 500 kcmil
connectable conductor cross-section for main contacts	
• solid or stranded	70 ... 240 mm <sup>2</sup>
• stranded	70 ... 240 mm <sup>2</sup>
connectable conductor cross-section for auxiliary contacts	
• solid or stranded	0.5 ... 4 mm <sup>2</sup>
• finely stranded with core end processing	0.5 ... 2.5 mm <sup>2</sup>
type of connectable conductor cross-sections	
• for auxiliary contacts	
— solid	2x (0.5 ... 1.5 mm <sup>2</sup> ), 2x (0.75 ... 2.5 mm <sup>2</sup> ), max. 2x (0.75 ... 4 mm <sup>2</sup> )
— solid or stranded	2x (0.5 ... 1.5 mm <sup>2</sup> ), 2x (0.75 ... 2.5 mm <sup>2</sup> ), max. 2x (0.75 ... 4 mm <sup>2</sup> )
— finely stranded with core end processing	2x (0.5 ... 1.5 mm <sup>2</sup> ), 2x (0.75 ... 2.5 mm <sup>2</sup> )
• for AWG cables for auxiliary contacts	2x (20 ... 16), 2x (18 ... 14), 1x 12
AWG number as coded connectable conductor cross section for auxiliary contacts	18 ... 14

#### Safety related data

product function	
• mirror contact according to IEC 60947-4-1	Yes
• positively driven operation according to IEC 60947-5-1	No
suitability for use safety-related switching OFF	No
service life maximum	20 a

#### Electrical Safety

protection class IP on the front according to IEC 60529	IP00; IP20 with box terminal/cover
touch protection on the front according to IEC 60529	finger-safe, for vertical contact from the front with box terminal/cover

#### Approvals Certificates

General Product Approval	EMV
--------------------------	-----



#### Functional Safety      Test Certificates      Maritime application

<a href="#">Type Examination Certificate</a>	<a href="#">Special Test Certificate</a>	<a href="#">Type Test Certificates/Test Report</a>			
--	--	--	---	---	---

#### Maritime application      other

			<a href="#">Confirmation</a>	<a href="#">Miscellaneous</a>	<a href="#">Confirmation</a>
---	---	---	------------------------------	-------------------------------	------------------------------

#### Railway      Environment

<a href="#">Special Test Certificate</a>	<a href="#">Environmental Conformations</a>
--	---

#### Further information

Information on the packaging  
<https://support.industry.siemens.com/cs/ww/en/view/109813875>  
Information for data generation and storage  
<https://support.industry.siemens.com/cs/ww/en/view/109995012>

Information- and Downloadcenter (Catalogs, Brochures,...)

<https://www.siemens.com/ic10>

Industry Mall (Online ordering system)

<https://mall.industry.siemens.com/mall/en/en/Catalog/product?mlfb=3RT1466-6NP36>

Cax online generator

<https://support.automation.siemens.com/WW/CAXorder/default.aspx?lang=en&mlfb=3RT1466-6NP36>

Service&Support (Manuals, Certificates, Characteristics, FAQs,...)

<https://support.industry.siemens.com/cs/ww/en/ps/3RT1466-6NP36>

Image database (product images, 2D dimension drawings, 3D models, device circuit diagrams, EPLAN macros, ...)

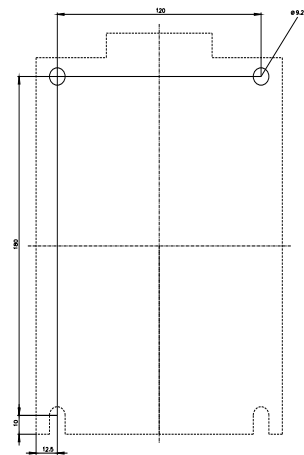
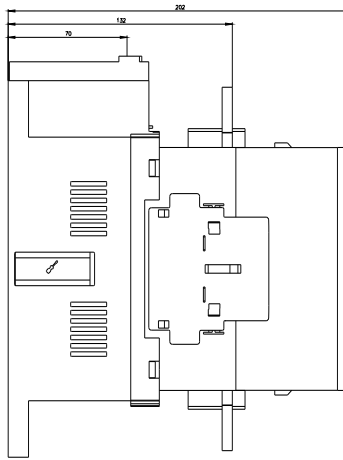
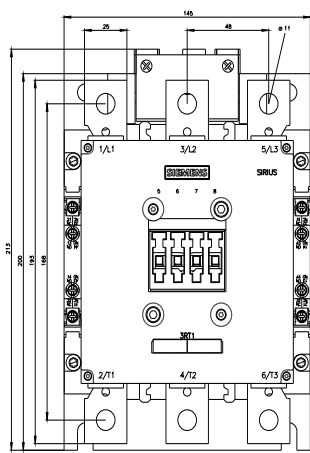
[https://www.automation.siemens.com/bilddb/cax\\_de.aspx?mlfb=3RT1466-6NP36&lang=en](https://www.automation.siemens.com/bilddb/cax_de.aspx?mlfb=3RT1466-6NP36&lang=en)

Characteristic: Tripping characteristics, I<sup>2</sup>t, Let-through current

<https://support.industry.siemens.com/cs/ww/en/ps/3RT1466-6NP36/char>

Further characteristics (e.g. electrical endurance, switching frequency)

<https://www.automation.siemens.com/bilddb/index.aspx?view=Search&mlfb=3RT1466-6NP36&objecttype=14&gridview=view1>





last modified:

4/10/2025