



power contactor AC-1 1050 A / 690 V / 40 °C 3-pole, U_c: 220-240 V AC(50-60 Hz) / 200-220 V DC, drive: conventional auxiliary contacts 2 NO + 2 NC main circuit: busbar control and auxiliary circuit: screw terminal

| | |
|---|------------------|
| product brand name | SIRIUS |
| product designation | Contacteur |
| product type designation | 3RT14 |
| General technical data | |
| product extension | |
| • function module for communication | No |
| • auxiliary switch | Yes |
| power loss [W] for rated value of the current | |
| • at AC in hot operating state | 510 W |
| • at AC in hot operating state per pole | 170 W |
| • without load current share typical | 7 W |
| type of calculation of power loss depending on pole | quadratic |
| insulation voltage | |
| • of main circuit with degree of pollution 3 rated value | 1 000 V |
| • of auxiliary circuit with degree of pollution 3 rated value | 600 V |
| surge voltage resistance | |
| • of main circuit rated value | 8 kV |
| • of auxiliary circuit rated value | 6 kV |
| shock resistance with sine pulse | |
| • at AC | 8g / 11 ms |
| • at DC | 8g / 11 ms |
| mechanical service life (operating cycles) | |
| • of contactor typical | 1 000 000 |
| Substance Prohibitance (Date) | 03/27/2020 |
| SVHC substance name | Lead - 7439-92-1 |
| Weight | 23.378 kg |
| Ambient conditions | |
| installation altitude at height above sea level maximum | 2 000 m |
| ambient temperature | |
| • during operation | -25 ... +55 °C |
| • during storage | -40 ... +80 °C |
| relative humidity minimum | 10 % |
| relative humidity at 55 °C according to IEC 60068-2-30 maximum | 95 % |
| Main circuit | |
| number of poles for main current circuit | 3 |
| number of NO contacts for main contacts | 3 |
| number of NC contacts for main contacts | 0 |
| type of voltage for main current circuit | AC |
| operational current | |

| | |
|---|---------------------|
| <ul style="list-style-type: none"> ● at AC-1 <ul style="list-style-type: none"> — up to 690 V at ambient temperature 40 °C rated value — up to 690 V at ambient temperature 55 °C rated value — up to 1000 V at ambient temperature 40 °C rated value — up to 1000 V at ambient temperature 55 °C rated value | 1 050 A |
| minimum cross-section in main circuit at maximum AC-1 rated value | 800 mm ² |
| no-load switching frequency | |
| <ul style="list-style-type: none"> ● at AC ● at DC | 600 1/h |
| operating frequency at AC-1 maximum | 600 1/h |
| Control circuit/ Control | |
| type of voltage of the control supply voltage | AC/DC |
| control supply voltage at AC | |
| <ul style="list-style-type: none"> ● at 50 Hz rated value ● at 60 Hz rated value | 200 ... 240 V |
| control supply voltage at DC rated value | 200 ... 220 V |
| operating range factor control supply voltage rated value of magnet coil at DC | |
| <ul style="list-style-type: none"> ● initial value ● full-scale value | 0.85 |
| | 1.1 |
| operating range factor control supply voltage rated value of magnet coil at AC | |
| <ul style="list-style-type: none"> ● at 50 Hz ● at 60 Hz | 0.85 ... 1.1 |
| | 0.85 ... 1.1 |
| design of the surge suppressor | with varistor |
| apparent pick-up power of magnet coil at AC | |
| <ul style="list-style-type: none"> ● at 50 Hz ● at 60 Hz | 1 000 VA |
| | 1 000 VA |
| apparent holding power of magnet coil at AC | |
| <ul style="list-style-type: none"> ● at 50 Hz ● at 60 Hz | 23 VA |
| | 23 VA |
| closing power of magnet coil at DC | 2 000 W |
| holding power of magnet coil at DC | 7 W |
| closing delay | |
| <ul style="list-style-type: none"> ● at AC ● at DC | 80 ms |
| | 80 ms |
| opening delay | |
| <ul style="list-style-type: none"> ● at AC ● at DC | 70 ms |
| | 70 ms |
| control version of the switch operating mechanism | Standard A1 - A2 |
| Auxiliary circuit | |
| number of NC contacts for auxiliary contacts | 2 |
| <ul style="list-style-type: none"> ● attachable ● instantaneous contact | 4 |
| | 2 |
| number of NO contacts for auxiliary contacts | 2 |
| <ul style="list-style-type: none"> ● attachable ● instantaneous contact | 4 |
| | 2 |
| operational current at AC-12 maximum | 16 A |
| operational current at AC-15 | |
| <ul style="list-style-type: none"> ● at 230 V rated value ● at 400 V rated value ● at 500 V rated value | 3 A |
| | 1.5 A |
| | 1.4 A |
| operational current at DC-13 | |
| <ul style="list-style-type: none"> ● at 48 V rated value ● at 60 V rated value ● at 110 V rated value ● at 125 V rated value ● at 220 V rated value | 2 A |
| | 2 A |
| | 1 A |
| | 0.55 A |
| | 0.27 A |

| | |
|---|---|
| <ul style="list-style-type: none"> at 600 V rated value | 0.1 A |
| Short-circuit protection | |
| design of the fuse link <ul style="list-style-type: none"> for short-circuit protection of the main circuit <ul style="list-style-type: none"> with type of coordination 2 required for short-circuit protection of the auxiliary switch required | aR: 1100 A (1000 V, 42 kA) gG: 16 A (600 V, 1 kA) |
| Installation/ mounting/ dimensions | |
| mounting position | +/-30° rotation possible on vertical mounting surface; can be tilted forward and backward by +/- 30° on vertical mounting surface |
| fastening method side-by-side mounting | No |
| fastening method | screw fixing |
| height | 352 mm |
| width | 285 mm |
| depth | 250 mm |
| required spacing <ul style="list-style-type: none"> for grounded parts <ul style="list-style-type: none"> forwards at the side | 125 mm 75 mm |
| net weight | 22 kg |
| Connections/ Terminals | |
| type of electrical connection <ul style="list-style-type: none"> for main current circuit for auxiliary and control circuit at contactor for auxiliary contacts of magnet coil | busbar connection screw-type terminals Screw-type terminals Screw-type terminals |
| width of connection bar | 40 mm |
| thickness of connection bar | 10 mm |
| diameter of holes | 17 mm |
| connectable conductor cross-section for auxiliary contacts <ul style="list-style-type: none"> solid or stranded finely stranded with core end processing | 1 ... 2.5 mm ² 1 ... 2.5 mm ² |
| type of connectable conductor cross-sections <ul style="list-style-type: none"> for auxiliary contacts <ul style="list-style-type: none"> solid solid or stranded finely stranded with core end processing for AWG cables for auxiliary contacts | 2x (1 ... 2,5 mm ²) 2x (1 ... 2.5 mm ²) 2x (1 ... 2,5 mm ²) 2x (16 ... 14) |
| AWG number as coded connectable conductor cross section for auxiliary contacts | 16 ... 14 |
| Safety related data | |
| product function <ul style="list-style-type: none"> mirror contact according to IEC 60947-4-1 positively driven operation according to IEC 60947-5-1 | Yes No |
| suitability for use safety-related switching OFF | No |
| service life maximum | 20 a |
| Electrical Safety | |
| protection class IP on the front according to IEC 60529 | IP00 |
| Approvals Certificates | |
| General Product Approval | EMV |



| | | |
|-------|---------|-------------|
| other | Railway | Environment |
|-------|---------|-------------|



[Confirmation](#)

[Miscellaneous](#)

[Special Test Certificate](#)

[Environmental Confirmations](#)

Further information

Information on the packaging

<https://support.industry.siemens.com/cs/ww/en/view/109813875>

Information for data generation and storage

<https://support.industry.siemens.com/cs/ww/en/view/109995012>

Information- and Downloadcenter (Catalogs, Brochures,...)

<https://www.siemens.com/ic10>

Industry Mall (Online ordering system)

<https://mall.industry.siemens.com/mall/en/en/Catalog/product?mlfb=3RT1482-6AP36>

Cax online generator

<https://support.automation.siemens.com/WW/CAXorder/default.aspx?lang=en&mlfb=3RT1482-6AP36>

Service&Support (Manuals, Certificates, Characteristics, FAQs,...)

<https://support.industry.siemens.com/cs/ww/en/ps/3RT1482-6AP36>

Image database (product images, 2D dimension drawings, 3D models, device circuit diagrams, EPLAN macros, ...)

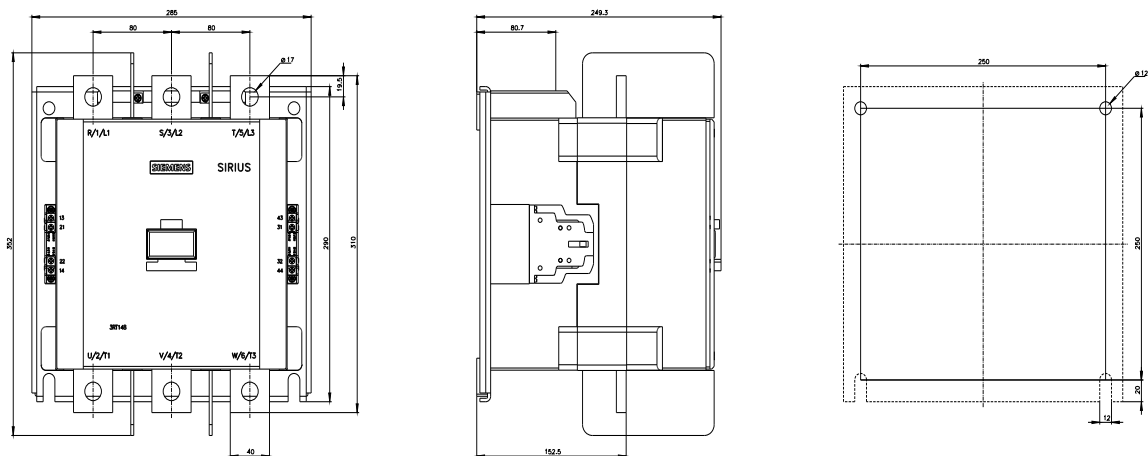
https://www.automation.siemens.com/bilddb/cax_de.aspx?mlfb=3RT1482-6AP36&lang=en

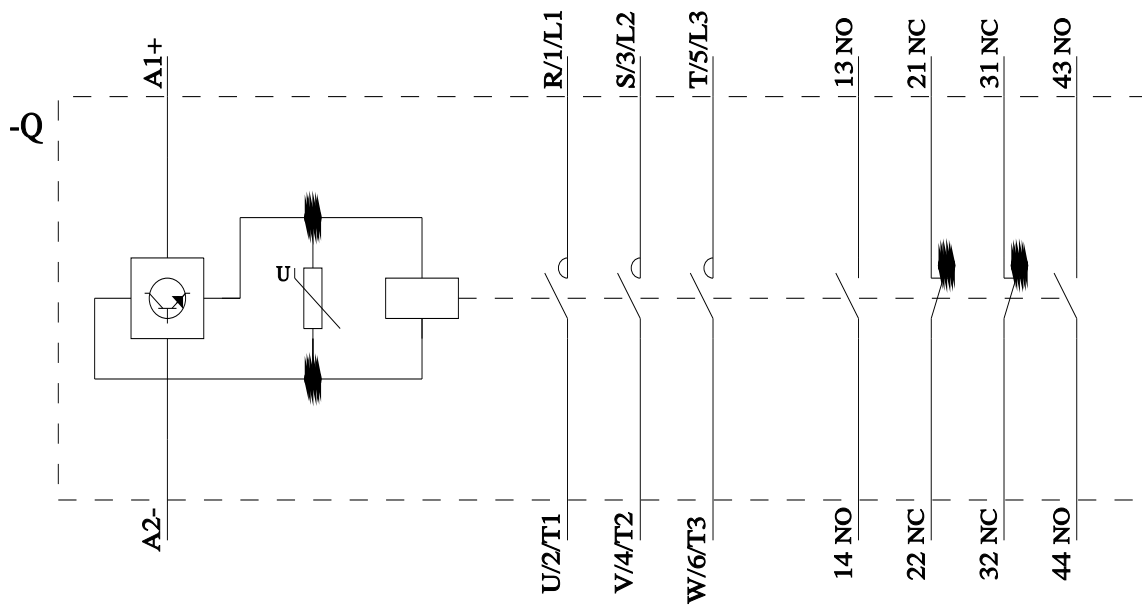
Characteristic: Tripping characteristics, I²t, Let-through current

<https://support.industry.siemens.com/cs/ww/en/ps/3RT1482-6AP36/char>

Further characteristics (e.g. electrical endurance, switching frequency)

<https://www.automation.siemens.com/bilddb/index.aspx?view=Search&mlfb=3RT1482-6AP36&objecttype=14&gridview=view1>





last modified:

4/1/2025 