

parallel connector with connecting terminal, 4-pole 3RT231 with screw terminal

product brand name	SIRIUS
product category	Wiring modules, connectors and kits
product designation	parallel switching connection
design of the product	Parallel switching connection for contactors S00
product type designation	3RT19

General technical data	
size of contactor	S00
Substance Prohibittance (Date)	07/01/2006
Weight	0.018 kg
number of poles	4

Installation/ mounting/ dimensions	
fastening method	screw fixing

Approvals Certificates

General Product Approval	EMV	Test Certificates	Maritime application
--------------------------	-----	-------------------	----------------------



[Special Test Certificate](#)



Maritime application	other
----------------------	-------



[Miscellaneous](#)



[Confirmation](#)

[Miscellaneous](#)

Railway	Environment
---------	-------------

[Special Test Certificate](#)

[Environmental Confirmations](#)

Further information

Information on the packaging
<https://support.industry.siemens.com/cs/ww/en/view/109813875>
 Information for data generation and storage
<https://support.industry.siemens.com/cs/ww/en/view/109995012>
 Information- and Downloadcenter (Catalogs, Brochures,...)
<https://www.siemens.com/ic10>

Industry Mall (Online ordering system)

<https://mall.industry.siemens.com/mall/en/en/Catalog/product?mlfb=3RT1916-4BB41>

Cax online generator

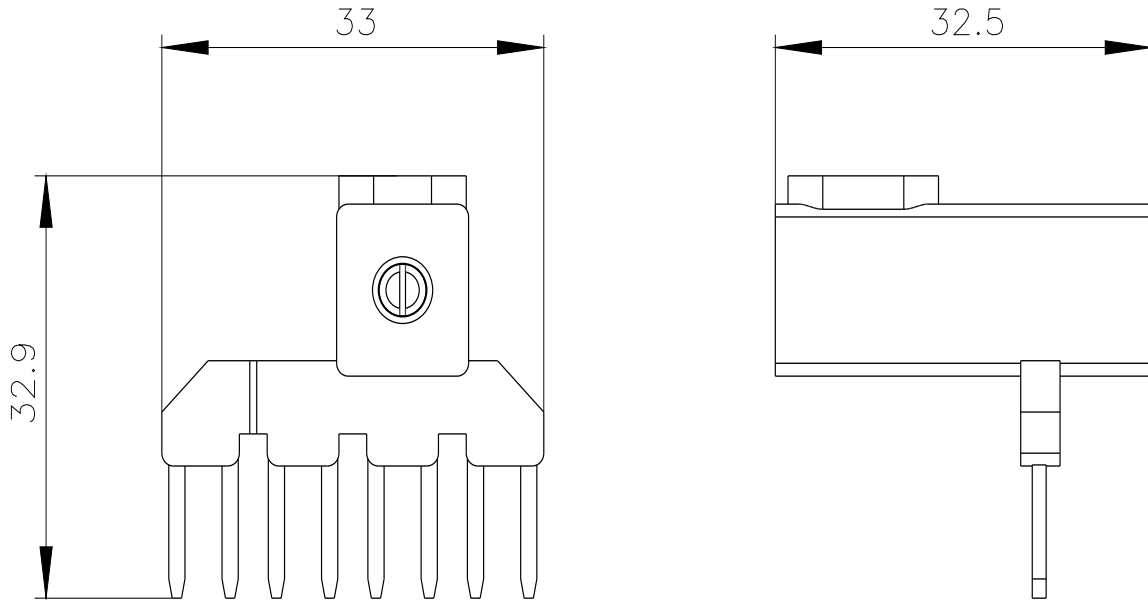
<https://support.automation.siemens.com/WW/CAXorder/default.aspx?lang=en&mlfb=3RT1916-4BB41>

Service&Support (Manuals, Certificates, Characteristics, FAQs,...)

<https://support.industry.siemens.com/cs/ww/en/ps/3RT1916-4BB41>

Image database (product images, 2D dimension drawings, 3D models, device circuit diagrams, EPLAN macros, ...)

https://www.automation.siemens.com/bilddb/cax_de.aspx?mlfb=3RT1916-4BB41&lang=en



last modified:

4/2/2025 