






Surge suppressor (RC element) for 3RT1 S6, S10, S12 with spring-type terminal (drive) 127...240 V AC, 150...250 V DC



product brand name	SIRIUS		
product category	Surge suppressor		
product designation	RC element		
product type designation	3RT19		
suitability for use	for 3RT1.5, 3RT1.6 and 3RT1.7 contactors		
General technical data			
certificate of suitability	CE / UL / CSA		
Substance Prohibitance (Date)	07/01/2006		
Weight	0.032 kg		
type of voltage of the control supply voltage	AC/DC		
control supply voltage at AC			
• at 50 Hz rated value	127 ... 240 V		
• at 60 Hz rated value	127 ... 240 V		
control supply voltage frequency			
• 1 rated value	50 Hz		
• 2 rated value	60 Hz		
control supply voltage at DC rated value	150 ... 250 V		
design of the surge suppressor	RC element		
Ambient conditions			
ambient temperature			
• during operation	-25 ... +60 °C		
• during storage	-40 ... +80 °C		
Environmental footprint			
Environmental Product Declaration (EPD)	Yes		
global warming potential [CO2 eq] total	23.4 kg		
global warming potential [CO2 eq] during manufacturing	0.187 kg		
global warming potential [CO2 eq] during operation	23.2 kg		
global warming potential [CO2 eq] after end of life	0.014 kg		
Approvals Certificates			
General Product Approval	EMV	Test Certificates	
 EG-Konf.			
		Special Test Certificate	
Maritime application	other		



[Confirmation](#)

other Railway Environment

[Miscellaneous](#)

[Special Test Certificate](#)



[Environmental Confirmations](#)

Further information

Information on the packaging

<https://support.industry.siemens.com/cs/ww/en/view/109813875>

Information for data generation and storage

<https://support.industry.siemens.com/cs/ww/en/view/109995012>

Information- and Downloadcenter (Catalogs, Brochures,...)

<https://www.siemens.com/ic10>

Industry Mall (Online ordering system)

<https://mall.industry.siemens.com/mall/en/en/Catalog/product?mlfb=3RT1956-1CD02>

Cax online generator

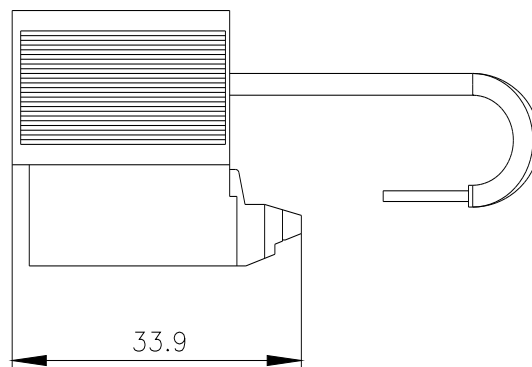
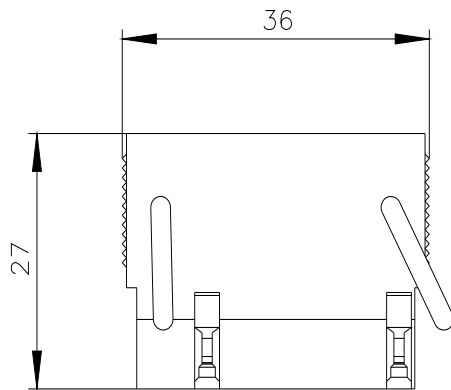
<https://support.automation.siemens.com/WW/CAXorder/default.aspx?lang=en&mlfb=3RT1956-1CD02>

Service&Support (Manuals, Certificates, Characteristics, FAQs,...)

<https://support.industry.siemens.com/cs/ww/en/ps/3RT1956-1CD02>

Image database (product images, 2D dimension drawings, 3D models, device circuit diagrams, EPLAN macros, ...)

https://www.automation.siemens.com/bilddb/cax_de.aspx?mlfb=3RT1956-1CD02&lang=en





last modified:

4/2/2025 