

Changeover operating mechanism for contactors 3RT106, 3RT146 AC (50...60 Hz) / DC operation, 200 ... 220 V Operating mechanism: electronic with PLC input 24 V DC and RLT signal

product brand name	SIRIUS	
product category	Solenoid coils	
product designation	Changeover operating mechanism	
product type designation	3RT19	
<b>General technical data</b>		
Substance Prohibitance (Date)	05/01/2012	
SVHC substance name	Lead - 7439-92-1 Lead monoxide (lead oxide) - 1317-36-8 2,2',6,6'-tetrabromo-4,4'-isopropylidenediphenol - 79-94-7 2-methyl-1-(4-methylthiophenyl)-2-morpholinopropan-1-one - 71868-10-5 Perfluorobutane sulfonic acid (PFBS) and its salts - -	
Weight	1.225 kg	
type of voltage of the control supply voltage	AC/DC	
control supply voltage 1 at AC		
• at 50 Hz	200 ... 277 V	
• at 60 Hz	200 ... 277 V	
control supply voltage 2 at AC		
• at 50 Hz rated value	277 V	
• at 60 Hz rated value	277 V	
control supply voltage 1 at DC	200 ... 277 V	
control supply voltage 2 at DC rated value	277 V	
apparent pick-up power of magnet coil at AC		
• at 50 Hz	530 VA	
• at 60 Hz	530 VA	
inductive power factor with closing power of the coil		
• at 50 Hz	0.8	
• at 60 Hz	0.8	
apparent holding power of magnet coil at AC		
• at 50 Hz	5 VA	
• at 60 Hz	5 VA	
inductive power factor with the holding power of the coil		
• at 50 Hz	0.5	
• at 60 Hz	0.5	
<b>Approvals Certificates</b>		
General Product Approval	EMV	Test Certificates



[Special Test Certificate](#)

Test Certificates	Maritime application	other
-------------------	----------------------	-------

[Type Test Certificates/Test Report](#)



other	Railway	Environment
-------	---------	-------------

[Confirmation](#)

[Miscellaneous](#)

[Special Test Certificate](#)

[Environmental Confirmations](#)

**Further information**

**Information on the packaging**

<https://support.industry.siemens.com/cs/ww/en/view/109813875>

**Information for data generation and storage**

<https://support.industry.siemens.com/cs/ww/en/view/109995012>

**Information- and Downloadcenter (Catalogs, Brochures,...)**

<https://www.siemens.com/ic10>

**Industry Mall (Online ordering system)**

<https://mall.industry.siemens.com/mall/en/en/Catalog/product?mlfb=3RT1965-5PP31>

**Cax online generator**

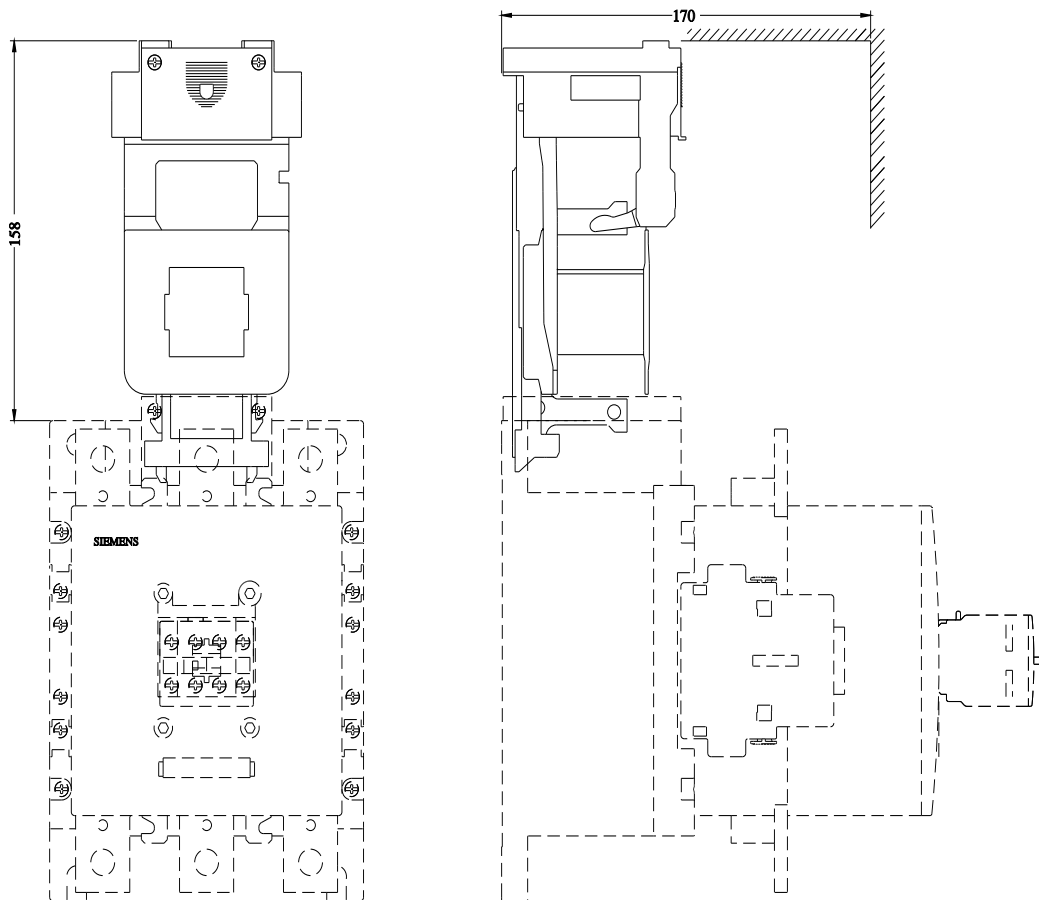
<https://support.automation.siemens.com/WW/CAXorder/default.aspx?lang=en&mlfb=3RT1965-5PP31>

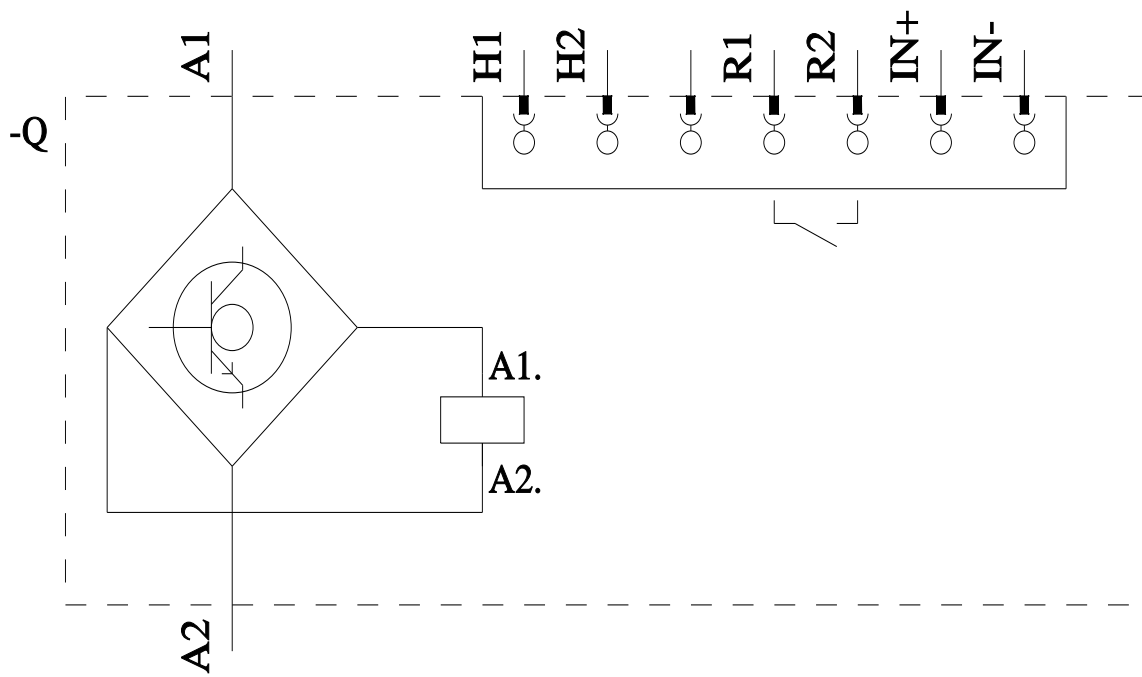
**Service&Support (Manuals, Certificates, Characteristics, FAQs,...)**

<https://support.industry.siemens.com/cs/ww/en/ps/3RT1965-5PP31>

**Image database (product images, 2D dimension drawings, 3D models, device circuit diagrams, EPLAN macros, ...)**

[https://www.automation.siemens.com/bilddb/cax\\_de.aspx?mlfb=3RT1965-5PP31&lang=en](https://www.automation.siemens.com/bilddb/cax_de.aspx?mlfb=3RT1965-5PP31&lang=en)





last modified:

4/2/2025 