



traction contactor, AC-3e/AC-3, 80 A, 37 kW / 400 V, 3-pole, 110 V DC, 0.7-1.25*
Uc, solid-state operating mechanism, with integrated varistor, auxiliary contacts: 1
NO + 1 NC, main circuit: screw terminal, control and auxiliary circuit: spring-loaded
terminal, frame size: S3

product brand name	SIRIUS
product designation	Power contactor
design of the product	With extended operating range
product type designation	3RT2
General technical data	
size of contactor	S3
product extension	
• function module for communication	No
• auxiliary switch	Yes
power loss [W] for rated value of the current	
• at AC in hot operating state	15.9 W
• at AC in hot operating state per pole	5.3 W
type of calculation of power loss depending on pole	quadratic
insulation voltage	
• of main circuit with degree of pollution 3 rated value	1 000 V
• of auxiliary circuit with degree of pollution 3 rated value	690 V
surge voltage resistance	
• of main circuit rated value	8 kV
• of auxiliary circuit rated value	6 kV
maximum permissible voltage for protective separation between coil and main contacts according to EN 60947-1	690 V
shock resistance at rectangular impulse	
• at DC	6.7 g / 5 ms, 4g / 10 ms
shock resistance with sine pulse	
• at DC	10.6 g / 5 ms, 6.3 g / 10 ms
mechanical service life (operating cycles)	
• of contactor typical	10 000 000
• of the contactor with added electronically optimized auxiliary switch block typical	5 000 000
• of the contactor with added auxiliary switch block typical	10 000 000
reference code according to IEC 81346-2	Q
Substance Prohibitance (Date)	03/01/2017
SVHC substance name	Lead - 7439-92-1 Lead monoxide (lead oxide) - 1317-36-8 2-methyl-1-(4-methylthiophenyl)-2-morpholinopropan-1-one - 71868-10-5
Weight	1.817 kg
Ambient conditions	
installation altitude at height above sea level maximum	2 000 m
ambient temperature	
• during operation	-40 ... +70 °C
• during storage	-55 ... +80 °C

relative humidity minimum	10 %
relative humidity at 55 °C according to IEC 60068-2-30 maximum	95 %
Environmental footprint	
Environmental Product Declaration(EPD)	Yes
global warming potential [CO2 eq] total	267 kg
global warming potential [CO2 eq] during manufacturing	9.35 kg
global warming potential [CO2 eq] during operation	259 kg
global warming potential [CO2 eq] after end of life	-1.55 kg
Main circuit	
number of poles for main current circuit	3
number of NO contacts for main contacts	3
operating voltage	
• at AC-3 rated value maximum	1 000 V
• at AC-3e rated value maximum	1 000 V
operational current	
• at AC-1 at 400 V at ambient temperature 40 °C rated value	125 A
• at AC-1	
— up to 690 V at ambient temperature 40 °C rated value	125 A
— up to 690 V at ambient temperature 60 °C rated value	105 A
• at AC-2 at 400 V rated value	80 A
• at AC-3	
— at 400 V rated value	80 A
— at 500 V rated value	80 A
— at 690 V rated value	58 A
— at 1000 V rated value	30 A
• at AC-3e	
— at 400 V rated value	80 A
— at 500 V rated value	80 A
— at 690 V rated value	58 A
— at 1000 V rated value	30 A
• at AC-4 at 400 V rated value	66 A
minimum cross-section in main circuit	
• at maximum AC-1 rated value	50 mm ²
• at maximum Ith rated value	50 mm ²
operational current for approx. 200000 operating cycles at AC-4	
• at 400 V rated value	34 A
• at 690 V rated value	24 A
operational current	
• at 1 current path at DC-1	
— at 24 V rated value	100 A
— at 110 V rated value	9 A
— at 220 V rated value	2 A
— at 440 V rated value	0.6 A
— at 600 V rated value	0.4 A
• with 2 current paths in series at DC-1	
— at 24 V rated value	100 A
— at 110 V rated value	100 A
— at 220 V rated value	10 A
— at 440 V rated value	1.8 A
— at 600 V rated value	1 A
• with 3 current paths in series at DC-1	
— at 24 V rated value	100 A
— at 110 V rated value	100 A
— at 220 V rated value	80 A
— at 440 V rated value	4.5 A
— at 600 V rated value	2.6 A
• at 1 current path at DC-3 at DC-5	

— at 24 V rated value	40 A
— at 110 V rated value	2.5 A
— at 220 V rated value	1 A
— at 440 V rated value	0.15 A
— at 600 V rated value	0.06 A
● with 2 current paths in series at DC-3 at DC-5	
— at 24 V rated value	100 A
— at 110 V rated value	100 A
— at 220 V rated value	7 A
— at 440 V rated value	0.42 A
— at 600 V rated value	0.16 A
● with 3 current paths in series at DC-3 at DC-5	
— at 24 V rated value	100 A
— at 110 V rated value	100 A
— at 220 V rated value	35 A
— at 440 V rated value	0.8 A
— at 600 V rated value	0.35 A
operating power	
● at AC-2 at 400 V rated value	37 kW
● at AC-3	
— at 230 V rated value	22 kW
— at 400 V rated value	37 kW
— at 500 V rated value	45 kW
— at 690 V rated value	55 kW
— at 1000 V rated value	37 kW
● at AC-3e	
— at 230 V rated value	22 kW
— at 400 V rated value	37 kW
— at 500 V rated value	45 kW
— at 690 V rated value	55 kW
— at 1000 V rated value	37 kW
operating power for approx. 200000 operating cycles at AC-4	
● at 400 V rated value	17.9 kW
● at 690 V rated value	21.8 kW
short-time withstand current in cold operating state up to 40 °C	
● limited to 1 s switching at zero current maximum	1 500 A; Use minimum cross-section acc. to AC-1 rated value
● limited to 5 s switching at zero current maximum	1 186 A; Use minimum cross-section acc. to AC-1 rated value
● limited to 10 s switching at zero current maximum	851 A; Use minimum cross-section acc. to AC-1 rated value
● limited to 30 s switching at zero current maximum	538 A; Use minimum cross-section acc. to AC-1 rated value
● limited to 60 s switching at zero current maximum	423 A; Use minimum cross-section acc. to AC-1 rated value
no-load switching frequency	
● at DC	1 000 1/h
operating frequency	
● at AC-2 at AC-3e maximum	400 1/h
● at AC-4 maximum	300 1/h
Ratings for railway applications	
thermal current (I_{th}) up to 690 V	
● up to 40 °C according to IEC 60077 rated value	125 A
● up to 70 °C according to IEC 60077 rated value	90 A
Control circuit/ Control	
type of voltage	DC
type of voltage of the control supply voltage	DC
control supply voltage at DC rated value	110 V
operating range factor control supply voltage rated value of magnet coil at DC	
● initial value	0.7
● full-scale value	1.25
design of the surge suppressor	with varistor
inrush current peak	1.5 A

duration of inrush current peak	50 µs
locked-rotor current mean value	1.1 A
locked-rotor current peak	2.7 A
duration of locked-rotor current	150 ms
holding current mean value	15 mA
closing power of magnet coil at DC	64 W
holding power of magnet coil at DC	1 W
closing delay	
• at DC	50 ... 70 ms
opening delay	
• at DC	38 ... 57 ms
arcing time	10 ... 20 ms
control version of the switch operating mechanism	Standard A1 - A2
Auxiliary circuit	
number of NC contacts for auxiliary contacts	1
• instantaneous contact	1
number of NO contacts for auxiliary contacts	1
• instantaneous contact	1
operational current at AC-12 maximum	10 A
operational current at AC-15	
• at 230 V rated value	6 A
• at 400 V rated value	3 A
• at 500 V rated value	2 A
• at 690 V rated value	1 A
operational current at DC-12	
• at 24 V rated value	10 A
• at 48 V rated value	6 A
• at 60 V rated value	6 A
• at 110 V rated value	3 A
• at 125 V rated value	2 A
• at 220 V rated value	1 A
• at 600 V rated value	0.15 A
operational current at DC-13	
• at 24 V rated value	10 A
• at 48 V rated value	2 A
• at 60 V rated value	2 A
• at 110 V rated value	1 A
• at 125 V rated value	0.9 A
• at 220 V rated value	0.3 A
• at 600 V rated value	0.1 A
UL/CSA ratings	
full-load current (FLA) for 3-phase AC motor	
• at 480 V rated value	77 A
• at 600 V rated value	62 A
yielded mechanical performance [hp]	
• for single-phase AC motor	
— at 110/120 V rated value	7.5 hp
— at 230 V rated value	15 hp
• for 3-phase AC motor	
— at 200/208 V rated value	25 hp
— at 220/230 V rated value	30 hp
— at 460/480 V rated value	60 hp
— at 575/600 V rated value	60 hp
contact rating of auxiliary contacts according to UL	A600 / P600
Short-circuit protection	
design of the miniature circuit breaker for short-circuit protection of the auxiliary circuit up to 230 V	C characteristic: 10 A; 0.4 kA
design of the fuse link	
• for short-circuit protection of the main circuit	
— with type of coordination 1 required	gG: 250 A (690 V, 100 kA), aM: 160 A (690 V, 100 kA), BS88: 200 A (415 V, 80 kA)

— with type of coordination 2 required

gG: 160 A (690 V, 100 kA), aM: 80 A (690 V, 100 kA), BS88: 125 A (415 V, 80 kA)

• for short-circuit protection of the auxiliary switch required

gG: 10 A (690 V, 1 kA)

Installation/ mounting/ dimensions

mounting position	+/-180° rotation possible on vertical mounting surface; can be tilted forward and backward by +/- 22.5° on vertical mounting surface
fastening method side-by-side mounting	Yes
fastening method	screw and snap-on mounting onto 35 mm DIN rail according to DIN EN 60715
height	140 mm
width	70 mm
depth	152 mm
required spacing	
<ul style="list-style-type: none"> • with side-by-side mounting <ul style="list-style-type: none"> — forwards 20 mm — upwards 10 mm — downwards 10 mm — at the side 0 mm • for grounded parts <ul style="list-style-type: none"> — forwards 20 mm — upwards 10 mm — at the side 10 mm — downwards 10 mm • for live parts <ul style="list-style-type: none"> — forwards 20 mm — upwards 10 mm — downwards 10 mm — at the side 10 mm 	

Connections/ Terminals

type of electrical connection	
<ul style="list-style-type: none"> • for main current circuit screw-type terminals • for auxiliary and control circuit spring-loaded terminals • at contactor for auxiliary contacts Spring-type terminals • of magnet coil Spring-type terminals 	
type of connectable conductor cross-sections	
<ul style="list-style-type: none"> • for main contacts <ul style="list-style-type: none"> — finely stranded with core end processing 2x (2.5 ... 35 mm²), 1x (2.5 ... 50 mm²) • for AWG cables for main contacts 2x (10 ... 1/0), 1x (10 ... 2/0) 	
type of connectable conductor cross-sections	
<ul style="list-style-type: none"> • for auxiliary contacts <ul style="list-style-type: none"> — solid or stranded 2x (0.5 ... 2.5 mm²) — finely stranded with core end processing 2x (0.5 ... 1.5 mm²) — finely stranded without core end processing 2x (0.5 ... 2.5 mm²) • for AWG cables for auxiliary contacts 2x (20 ... 16) 	
AWG number extended as coded connectable conductor cross section for main contacts	10 ... 2/0
AWG number as coded connectable conductor cross section for auxiliary contacts	20 ... 14

Safety related data

product function	
<ul style="list-style-type: none"> • mirror contact according to IEC 60947-4-1 Yes • positively driven operation according to IEC 60947-5-1 No • suitable for safety function Yes 	
suitability for use safety-related switching OFF	Yes
service life maximum	20 a
test wear-related service life necessary	Yes
proportion of dangerous failures	
<ul style="list-style-type: none"> • with low demand rate according to SN 31920 40 % • with high demand rate according to SN 31920 73 % 	
B10 value with high demand rate according to SN 31920	1 000 000
failure rate [FIT] with low demand rate according to SN 31920	100 FIT

ISO 13849

device type according to ISO 13849-1	3
overdimensioning according to ISO 13849-2 necessary	Yes
IEC 61508	
safety device type according to IEC 61508-2	Type A
Electrical Safety	
protection class IP on the front according to IEC 60529	IP20
touch protection on the front according to IEC 60529	finger-safe, for vertical contact from the front
Communication/ Protocol	
product function bus communication	No
Approvals Certificates	
General Product Approval	



KC



EMV	Test Certificates	Maritime application
-----	-------------------	----------------------



[Type Test Certificates/Test Report](#)

[Special Test Certificate](#)



Maritime application	other	Railway
----------------------	-------	---------



[Confirmation](#)

[Type Test Certificates/Test Report](#)

[Special Test Certificate](#)

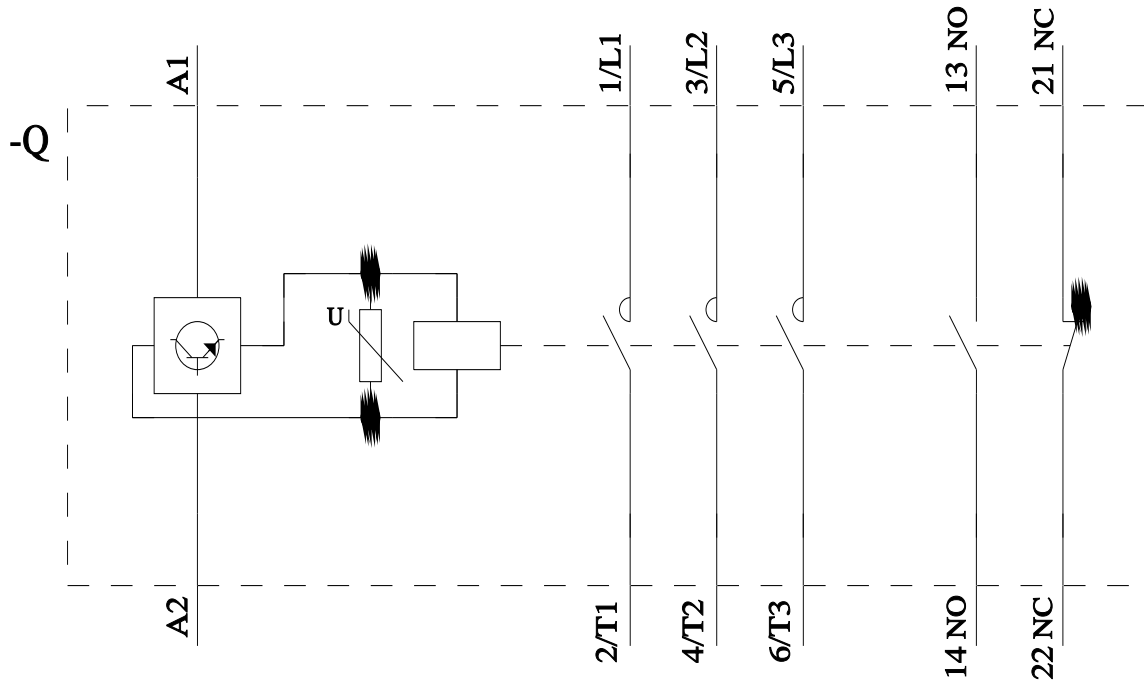
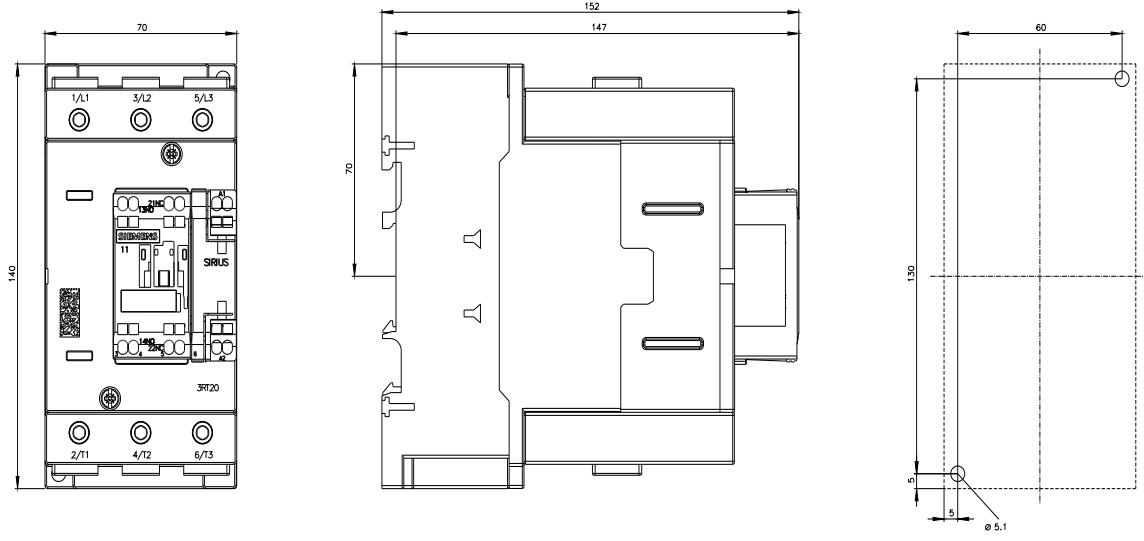
Environment



[Environmental Confirmations](#)

Further information

- Information on the packaging
<https://support.industry.siemens.com/cs/ww/en/view/109813875>
- Information for data generation and storage
<https://support.industry.siemens.com/cs/ww/en/view/109995012>
- Information- and Downloadcenter (Catalogs, Brochures,...)
<https://www.siemens.com/ic10>
- Industry Mall (Online ordering system)
<https://mall.industry.siemens.com/mall/en/en/Catalog/product?mlfb=3RT2045-3XF40-0LA2>
- Cax online generator
<https://support.automation.siemens.com/WW/CAXorder/default.aspx?lang=en&mlfb=3RT2045-3XF40-0LA2>
- Service&Support (Manuals, Certificates, Characteristics, FAQs,...)
<https://support.industry.siemens.com/cs/ww/en/ps/3RT2045-3XF40-0LA2>
- Image database (product images, 2D dimension drawings, 3D models, device circuit diagrams, EPLAN macros, ...)
https://www.automation.siemens.com/bilddb/cax_de.aspx?mlfb=3RT2045-3XF40-0LA2&lang=en
- Characteristic: Tripping characteristics, I²t, Let-through current
<https://support.industry.siemens.com/cs/ww/en/ps/3RT2045-3XF40-0LA2/char>
- Further characteristics (e.g. electrical endurance, switching frequency)
<https://www.automation.siemens.com/bilddb/index.aspx?view=Search&mlfb=3RT2045-3XF40-0LA2&objecttype=14&gridview=view1>



last modified:

11/11/2025

