



traction contactor, AC-3e/AC-3, 95 A, 45 kW / 400 V, 3-pole, 24 V DC, 0.7-1.25\*  
 Uc, solid-state operating mechanism, with integrated varistor, auxiliary contacts: 1  
 NO + 1 NC, main circuit: screw terminal, control and auxiliary circuit: spring-loaded  
 terminal, frame size: S3

<b>product brand name</b>	SIRIUS
<b>product designation</b>	Power contactor
<b>design of the product</b>	With extended operating range
<b>product type designation</b>	3RT2
<b>General technical data</b>	
<b>size of contactor</b>	S3
<b>product extension</b>	
• function module for communication	No
• auxiliary switch	Yes
<b>power loss [W] for rated value of the current</b>	
• at AC in hot operating state	19.8 W
• at AC in hot operating state per pole	6.6 W
<b>type of calculation of power loss depending on pole</b>	quadratic
<b>insulation voltage</b>	
• of main circuit with degree of pollution 3 rated value	1 000 V
• of auxiliary circuit with degree of pollution 3 rated value	690 V
<b>surge voltage resistance</b>	
• of main circuit rated value	8 kV
• of auxiliary circuit rated value	6 kV
maximum permissible voltage for protective separation between coil and main contacts according to EN 60947-1	690 V
<b>shock resistance at rectangular impulse</b>	
• at DC	6.7 g / 5 ms, 4g / 10 ms
<b>shock resistance with sine pulse</b>	
• at DC	10.6 g / 5 ms, 6.3 g / 10 ms
<b>mechanical service life (operating cycles)</b>	
• of contactor typical	10 000 000
• of the contactor with added electronically optimized auxiliary switch block typical	5 000 000
• of the contactor with added auxiliary switch block typical	10 000 000
<b>reference code according to IEC 81346-2</b>	Q
<b>Substance Prohibitation (Date)</b>	03/01/2017
<b>SVHC substance name</b>	Lead - 7439-92-1 Lead monoxide (lead oxide) - 1317-36-8 2,2',6,6'-tetrabromo-4,4'-isopropylidenediphenol - 79-94-7 Melamine - 108-78-1
<b>Weight</b>	1.826 kg
<b>Ambient conditions</b>	
installation altitude at height above sea level maximum	2 000 m
<b>ambient temperature</b>	
• during operation	-40 ... +70 °C
• during storage	-55 ... +80 °C

<b>relative humidity minimum</b>	10 %
<b>relative humidity at 55 °C according to IEC 60068-2-30 maximum</b>	95 %
<b>Environmental footprint</b>	
Environmental Product Declaration(EPD)	Yes
global warming potential [CO2 eq] total	267 kg
global warming potential [CO2 eq] during manufacturing	9.35 kg
global warming potential [CO2 eq] during operation	259 kg
global warming potential [CO2 eq] after end of life	-1.55 kg
<b>Main circuit</b>	
<b>number of poles for main current circuit</b>	3
<b>number of NO contacts for main contacts</b>	3
<b>operating voltage</b>	
• at AC-3 rated value maximum	1 000 V
• at AC-3e rated value maximum	1 000 V
<b>operational current</b>	
• at AC-1 at 400 V at ambient temperature 40 °C rated value	130 A
• at AC-1	
— up to 690 V at ambient temperature 40 °C rated value	130 A
— up to 690 V at ambient temperature 60 °C rated value	110 A
• at AC-2 at 400 V rated value	95 A
• at AC-3	
— at 400 V rated value	95 A
— at 500 V rated value	95 A
— at 690 V rated value	78 A
— at 1000 V rated value	30 A
• at AC-3e	
— at 400 V rated value	95 A
— at 500 V rated value	95 A
— at 690 V rated value	78 A
— at 1000 V rated value	30 A
• at AC-4 at 400 V rated value	80 A
<b>minimum cross-section in main circuit</b>	
• at maximum AC-1 rated value	50 mm <sup>2</sup>
• at maximum Ith rated value	50 mm <sup>2</sup>
<b>operational current for approx. 200000 operating cycles at AC-4</b>	
• at 400 V rated value	42 A
• at 690 V rated value	30 A
<b>operational current</b>	
• <b>at 1 current path at DC-1</b>	
— at 24 V rated value	100 A
— at 110 V rated value	9 A
— at 220 V rated value	2 A
— at 440 V rated value	0.6 A
— at 600 V rated value	0.4 A
• <b>with 2 current paths in series at DC-1</b>	
— at 24 V rated value	100 A
— at 110 V rated value	100 A
— at 220 V rated value	10 A
— at 440 V rated value	1.8 A
— at 600 V rated value	1 A
• <b>with 3 current paths in series at DC-1</b>	
— at 24 V rated value	100 A
— at 110 V rated value	100 A
— at 220 V rated value	80 A
— at 440 V rated value	4.5 A
— at 600 V rated value	2.6 A
• <b>at 1 current path at DC-3 at DC-5</b>	

— at 24 V rated value	40 A
— at 110 V rated value	2.5 A
— at 220 V rated value	1 A
— at 440 V rated value	0.15 A
— at 600 V rated value	0.06 A
<b>• with 2 current paths in series at DC-3 at DC-5</b>	
— at 24 V rated value	100 A
— at 110 V rated value	100 A
— at 220 V rated value	7 A
— at 440 V rated value	0.42 A
— at 600 V rated value	0.16 A
<b>• with 3 current paths in series at DC-3 at DC-5</b>	
— at 24 V rated value	100 A
— at 110 V rated value	100 A
— at 220 V rated value	35 A
— at 440 V rated value	0.8 A
— at 600 V rated value	0.35 A
<b>operating power</b>	
• at AC-2 at 400 V rated value	45 kW
• at AC-3	
— at 230 V rated value	22 kW
— at 400 V rated value	45 kW
— at 500 V rated value	55 kW
— at 690 V rated value	75 kW
— at 1000 V rated value	37 kW
• at AC-3e	
— at 230 V rated value	22 kW
— at 400 V rated value	45 kW
— at 500 V rated value	55 kW
— at 690 V rated value	75 kW
— at 1000 V rated value	37 kW
<b>operating power for approx. 200000 operating cycles at AC-4</b>	
• at 400 V rated value	22 kW
• at 690 V rated value	27.4 kW
<b>short-time withstand current in cold operating state up to 40 °C</b>	
• limited to 1 s switching at zero current maximum	1 725 A; Use minimum cross-section acc. to AC-1 rated value
• limited to 5 s switching at zero current maximum	1 297 A; Use minimum cross-section acc. to AC-1 rated value
• limited to 10 s switching at zero current maximum	946 A; Use minimum cross-section acc. to AC-1 rated value
• limited to 30 s switching at zero current maximum	610 A; Use minimum cross-section acc. to AC-1 rated value
• limited to 60 s switching at zero current maximum	486 A; Use minimum cross-section acc. to AC-1 rated value
<b>no-load switching frequency</b>	
• at DC	1 000 1/h
<b>operating frequency</b>	
• at AC-2 at AC-3e maximum	350 1/h
• at AC-4 maximum	250 1/h
<b>Ratings for railway applications</b>	
<b>thermal current (I<sub>th</sub>) up to 690 V</b>	
• up to 40 °C according to IEC 60077 rated value	130 A
• up to 70 °C according to IEC 60077 rated value	95 A
<b>Control circuit/ Control</b>	
<b>type of voltage</b>	DC
<b>type of voltage of the control supply voltage</b>	DC
<b>control supply voltage at DC rated value</b>	24 V
<b>operating range factor control supply voltage rated value of magnet coil at DC</b>	
• initial value	0.7
• full-scale value	1.25
<b>design of the surge suppressor</b>	with varistor
<b>inrush current peak</b>	6.5 A

<b>duration of inrush current peak</b>	50 µs
<b>locked-rotor current mean value</b>	3.2 A
<b>locked-rotor current peak</b>	6.5 A
<b>duration of locked-rotor current</b>	150 ms
<b>holding current mean value</b>	75 mA
<b>closing power of magnet coil at DC</b>	76 W
<b>holding power of magnet coil at DC</b>	1.8 W
<b>closing delay</b>	
• at DC	50 ... 70 ms
<b>opening delay</b>	
• at DC	38 ... 57 ms
<b>arcing time</b>	10 ... 20 ms
<b>control version of the switch operating mechanism</b>	Standard A1 - A2
<b>Auxiliary circuit</b>	
<b>number of NC contacts for auxiliary contacts</b>	1
• instantaneous contact	1
<b>number of NO contacts for auxiliary contacts</b>	1
• instantaneous contact	1
operational current at AC-12 maximum	10 A
<b>operational current at AC-15</b>	
• at 230 V rated value	6 A
• at 400 V rated value	3 A
• at 500 V rated value	2 A
• at 690 V rated value	1 A
<b>operational current at DC-12</b>	
• at 24 V rated value	10 A
• at 48 V rated value	6 A
• at 60 V rated value	6 A
• at 110 V rated value	3 A
• at 125 V rated value	2 A
• at 220 V rated value	1 A
• at 600 V rated value	0.15 A
<b>operational current at DC-13</b>	
• at 24 V rated value	10 A
• at 48 V rated value	2 A
• at 60 V rated value	2 A
• at 110 V rated value	1 A
• at 125 V rated value	0.9 A
• at 220 V rated value	0.3 A
• at 600 V rated value	0.1 A
<b>UL/CSA ratings</b>	
<b>full-load current (FLA) for 3-phase AC motor</b>	
• at 480 V rated value	96 A
• at 600 V rated value	77 A
<b>yielded mechanical performance [hp]</b>	
• for single-phase AC motor	
— at 110/120 V rated value	10 hp
— at 230 V rated value	20 hp
• for 3-phase AC motor	
— at 200/208 V rated value	30 hp
— at 220/230 V rated value	30 hp
— at 460/480 V rated value	75 hp
— at 575/600 V rated value	75 hp
<b>contact rating of auxiliary contacts according to UL</b>	A600 / P600
<b>Short-circuit protection</b>	
design of the miniature circuit breaker for short-circuit protection of the auxiliary circuit up to 230 V	C characteristic: 10 A; 0.4 kA
<b>design of the fuse link</b>	
• for short-circuit protection of the main circuit	
— with type of coordination 1 required	gG: 250 A (690 V, 100 kA), aM: 160 A (690 V, 100 kA), BS88: 200 A (415 V, 80 kA)

— with type of coordination 2 required

gG: 160 A (690 V, 100 kA), aM: 100 A (690 V, 100 kA), BS88: 125 A (415 V, 80 kA)

• for short-circuit protection of the auxiliary switch required

gG: 10 A (690 V, 1 kA)

### Installation/ mounting/ dimensions

<b>mounting position</b>	+/-180° rotation possible on vertical mounting surface; can be tilted forward and backward by +/- 22.5° on vertical mounting surface
fastening method side-by-side mounting	Yes
<b>fastening method</b>	screw and snap-on mounting onto 35 mm DIN rail according to DIN EN 60715
<b>height</b>	140 mm
<b>width</b>	70 mm
<b>depth</b>	152 mm
<b>required spacing</b>	
<ul style="list-style-type: none"> <li>• with side-by-side mounting <ul style="list-style-type: none"> <li>— forwards 20 mm</li> <li>— upwards 10 mm</li> <li>— downwards 10 mm</li> <li>— at the side 0 mm</li> </ul> </li> <li>• for grounded parts <ul style="list-style-type: none"> <li>— forwards 20 mm</li> <li>— upwards 10 mm</li> <li>— at the side 10 mm</li> <li>— downwards 10 mm</li> </ul> </li> <li>• for live parts <ul style="list-style-type: none"> <li>— forwards 20 mm</li> <li>— upwards 10 mm</li> <li>— downwards 10 mm</li> <li>— at the side 10 mm</li> </ul> </li> </ul>	

### Connections/ Terminals

<b>type of electrical connection</b>	
<ul style="list-style-type: none"> <li>• for main current circuit screw-type terminals</li> <li>• for auxiliary and control circuit spring-loaded terminals</li> <li>• at contactor for auxiliary contacts Spring-type terminals</li> <li>• of magnet coil Spring-type terminals</li> </ul>	
<b>type of connectable conductor cross-sections</b>	
<ul style="list-style-type: none"> <li>• for main contacts <ul style="list-style-type: none"> <li>— finely stranded with core end processing 2x (2.5 ... 35 mm<sup>2</sup>), 1x (2.5 ... 50 mm<sup>2</sup>)</li> </ul> </li> <li>• for AWG cables for main contacts 2x (10 ... 1/0), 1x (10 ... 2/0)</li> </ul>	
<b>type of connectable conductor cross-sections</b>	
<ul style="list-style-type: none"> <li>• for auxiliary contacts <ul style="list-style-type: none"> <li>— solid or stranded 2x (0.5 ... 2.5 mm<sup>2</sup>)</li> <li>— finely stranded with core end processing 2x (0.5 ... 1.5 mm<sup>2</sup>)</li> <li>— finely stranded without core end processing 2x (0.5 ... 2.5 mm<sup>2</sup>)</li> </ul> </li> <li>• for AWG cables for auxiliary contacts 2x (20 ... 16)</li> </ul>	
<b>AWG number extended as coded connectable conductor cross section for main contacts</b>	10 ... 2/0
<b>AWG number as coded connectable conductor cross section for auxiliary contacts</b>	20 ... 14

### Safety related data

<b>product function</b>	
<ul style="list-style-type: none"> <li>• mirror contact according to IEC 60947-4-1 Yes</li> <li>• positively driven operation according to IEC 60947-5-1 No</li> <li>• suitable for safety function Yes</li> </ul>	
suitability for use safety-related switching OFF	Yes
<b>service life maximum</b>	20 a
<b>test wear-related service life necessary</b>	Yes
<b>proportion of dangerous failures</b>	
<ul style="list-style-type: none"> <li>• with low demand rate according to SN 31920 40 %</li> <li>• with high demand rate according to SN 31920 73 %</li> </ul>	
<b>B10 value with high demand rate according to SN 31920</b>	1 000 000
<b>failure rate [FIT] with low demand rate according to SN 31920</b>	100 FIT

ISO 13849

device type according to ISO 13849-1	3
overdimensioning according to ISO 13849-2 necessary	Yes
IEC 61508	
safety device type according to IEC 61508-2	Type A
Electrical Safety	
protection class IP on the front according to IEC 60529	IP20
touch protection on the front according to IEC 60529	finger-safe, for vertical contact from the front
Communication/ Protocol	
product function bus communication	No
Approvals Certificates	
General Product Approval	



KC



EMV	Test Certificates	Maritime application
-----	-------------------	----------------------



[Type Test Certificates/Test Report](#)

[Special Test Certificate](#)



Maritime application	other	Railway
----------------------	-------	---------



[Confirmation](#)

[Special Test Certificate](#)

[Type Test Certificates/Test Report](#)

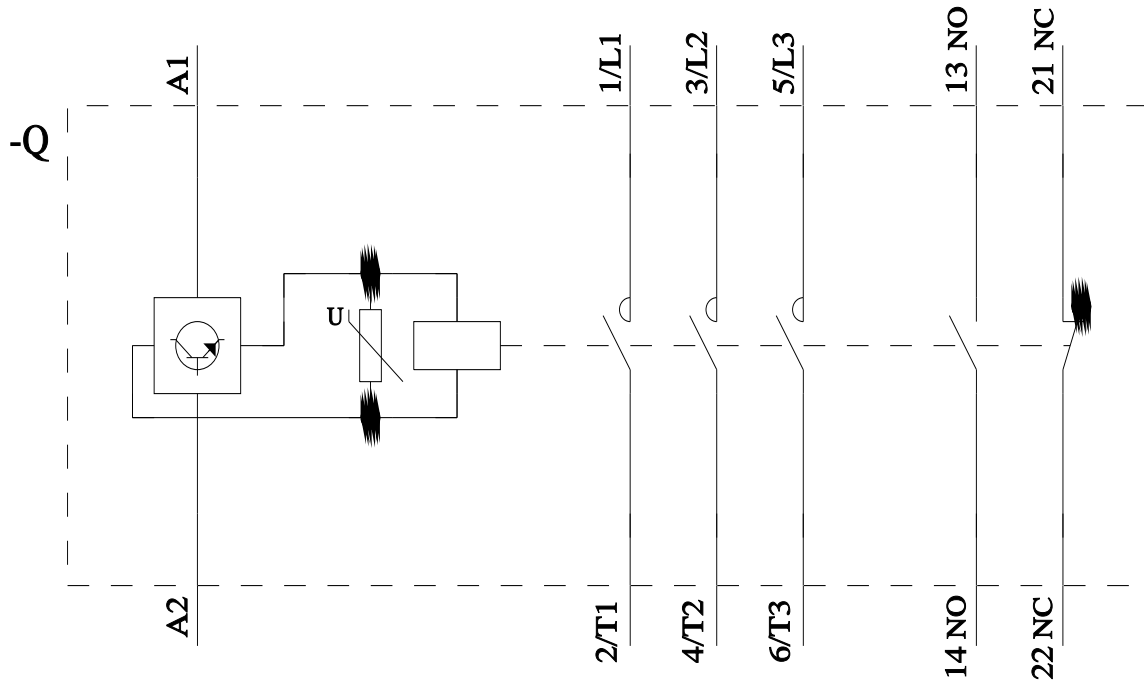
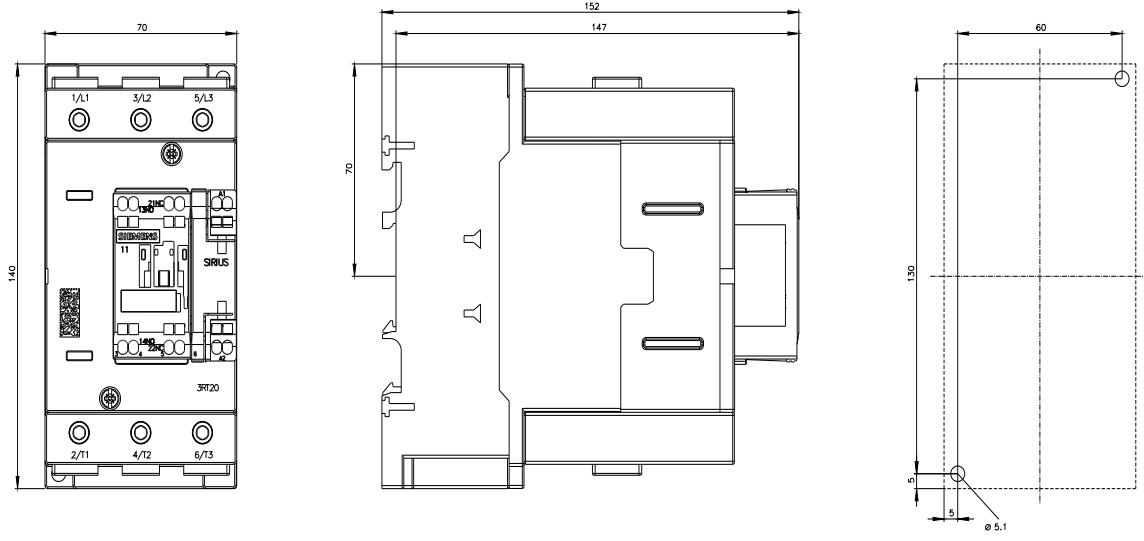
Environment
-------------



[Environmental Confirmations](#)

Further information
---------------------

- Information on the packaging  
<https://support.industry.siemens.com/cs/ww/en/view/109813875>
- Information for data generation and storage  
<https://support.industry.siemens.com/cs/ww/en/view/109995012>
- Information- and Downloadcenter (Catalogs, Brochures,...)  
<https://www.siemens.com/ic10>
- Industry Mall (Online ordering system)  
<https://mall.industry.siemens.com/mall/en/en/Catalog/product?mlfb=3RT2046-3XB40-0LA2>
- Cax online generator  
<https://support.automation.siemens.com/WW/CAXorder/default.aspx?lang=en&mlfb=3RT2046-3XB40-0LA2>
- Service&Support (Manuals, Certificates, Characteristics, FAQs,...)  
<https://support.industry.siemens.com/cs/ww/en/ps/3RT2046-3XB40-0LA2>
- Image database (product images, 2D dimension drawings, 3D models, device circuit diagrams, EPLAN macros, ...)  
[https://www.automation.siemens.com/bilddb/cax\\_de.aspx?mlfb=3RT2046-3XB40-0LA2&lang=en](https://www.automation.siemens.com/bilddb/cax_de.aspx?mlfb=3RT2046-3XB40-0LA2&lang=en)
- Characteristic: Tripping characteristics, I<sup>2</sup>t, Let-through current  
<https://support.industry.siemens.com/cs/ww/en/ps/3RT2046-3XB40-0LA2/char>
- Further characteristics (e.g. electrical endurance, switching frequency)  
<https://www.automation.siemens.com/bilddb/index.aspx?view=Search&mlfb=3RT2046-3XB40-0LA2&objecttype=14&gridview=view1>



last modified:

11/11/2025

