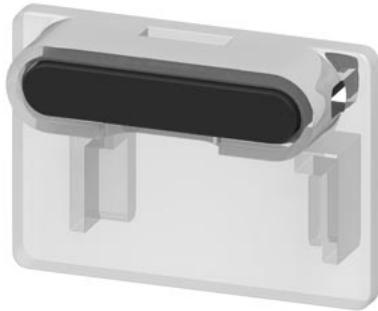












sealable cover, protection against accidental manual operation, for contactors 3RT2 and auxiliary contactors 3RH2, not suitable for coupling contactors ), multi-unit packaging, pack = 5 units



product brand name	SIRIUS		
product category	Sealing covers		
product designation	Sealing cover		
product type designation	3RT29		
<b>General technical data</b>			
certificate of suitability	CE		
Substance Prohibitance (Date)	10/01/2009		
Weight	0.002 kg		
<b>UL/CSA ratings</b>			
Category Control Number (CCN)	E31519 (NLDX, NLDX7)		
<b>Ambient conditions</b>			
ambient temperature			
• during operation	-25 ... +60 °C		
• during storage	-50 ... +80 °C		
<b>Environmental footprint</b>			
Environmental Product Declaration (EPD)	Yes		
global warming potential [CO2 eq] total	7.04 kg		
global warming potential [CO2 eq] during manufacturing	0.089 kg		
global warming potential [CO2 eq] during operation	6.96 kg		
global warming potential [CO2 eq] after end of life	-0.0061 kg		
<b>Electrical Safety</b>			
touch protection against electrical shock	finger-safe with cover		
<b>Approvals Certificates</b>			
General Product Approval	EMV	Test Certificates	
    		<a href="#">Special Test Certificate</a>	
<b>Maritime application</b>			other
    		<a href="#">Miscellaneous</a>	
other	Railway	Environment	



[Confirmation](#)

[Special Test Certificate](#)



[Environmental Confirmations](#)

#### Further information

**Information on the packaging**

<https://support.industry.siemens.com/cs/ww/en/view/109813875>

**Information for data generation and storage**

<https://support.industry.siemens.com/cs/ww/en/view/109995012>

**Information- and Downloadcenter (Catalogs, Brochures,...)**

<https://www.siemens.com/ic10>

**Industry Mall (Online ordering system)**

<https://mall.industry.siemens.com/mall/en/en/Catalog/product?mlfb=3RT2916-4MA10>

**Cax online generator**

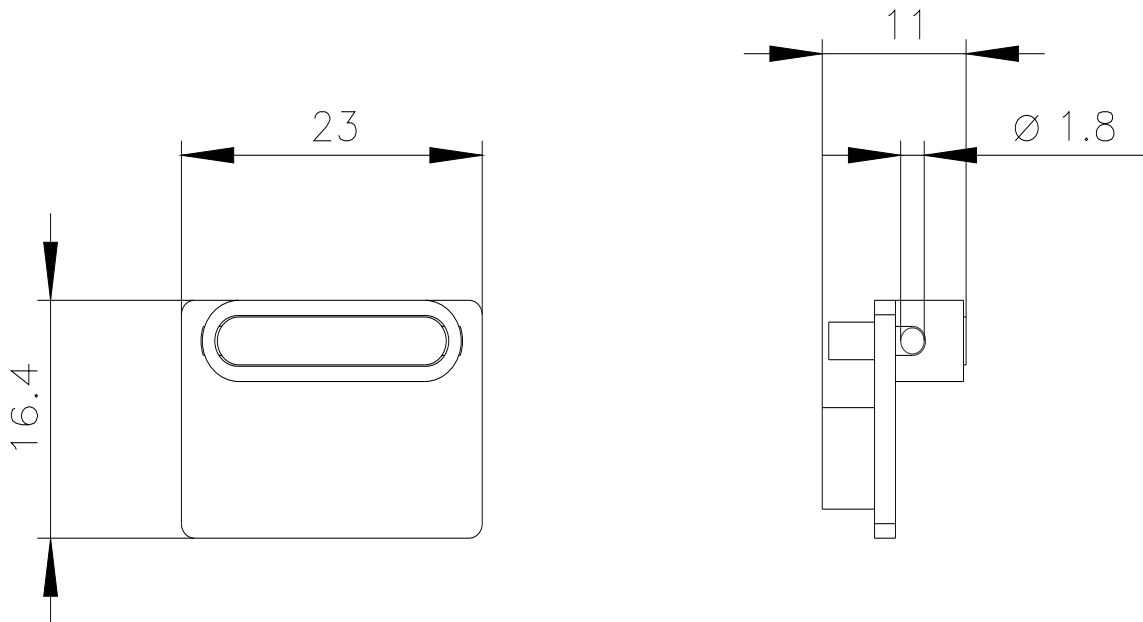
<https://support.automation.siemens.com/WW/CAXorder/default.aspx?lang=en&mlfb=3RT2916-4MA10>

**Service&Support (Manuals, Certificates, Characteristics, FAQs,...)**

<https://support.industry.siemens.com/cs/ww/en/ps/3RT2916-4MA10>

**Image database (product images, 2D dimension drawings, 3D models, device circuit diagrams, EPLAN macros, ...)**

[https://www.automation.siemens.com/bilddb/cax\\_de.aspx?mlfb=3RT2916-4MA10&lang=en](https://www.automation.siemens.com/bilddb/cax_de.aspx?mlfb=3RT2916-4MA10&lang=en)



last modified:

11/13/2025