



LED module for display of the contactor function, 24-240 V AC/DC, protected against polarity reversal, for contactors 3RT2 and auxiliary contactors 3RH2, multi-unit packaging, pack = 5 units

product brand name	SIRIUS
product category	LED modules
product designation	LED display module
product type designation	3RT29

General technical data

Substance Prohibittance (Date)	10/01/2009
Weight	0.008 kg

Environmental footprint

Environmental Product Declaration (EPD)	Yes
global warming potential [CO2 eq] total	7.04 kg
global warming potential [CO2 eq] during manufacturing	0.089 kg
global warming potential [CO2 eq] during operation	6.96 kg
global warming potential [CO2 eq] after end of life	-0.0061 kg

Approvals Certificates

General Product Approval	EMV	Test Certificates
--------------------------	-----	-------------------



[Type Test Certificates/Test Report](#)

Test Certificates **Maritime application**

[Special Test Certificate](#)



other **Railway** **Environment**

[Miscellaneous](#)



[Confirmation](#)

[Special Test Certificate](#)



[Environmental Confirmations](#)

Further information

Information on the packaging
<https://support.industry.siemens.com/cs/ww/en/view/109813875>
 Information for data generation and storage
<https://support.industry.siemens.com/cs/ww/en/view/109995012>
 Information- and Downloadcenter (Catalogs, Brochures,...)

<https://www.siemens.com/ic10>

Industry Mall (Online ordering system)

<https://mall.industry.siemens.com/mall/en/en/Catalog/product?mlfb=3RT2926-1QT00>

Cax online generator

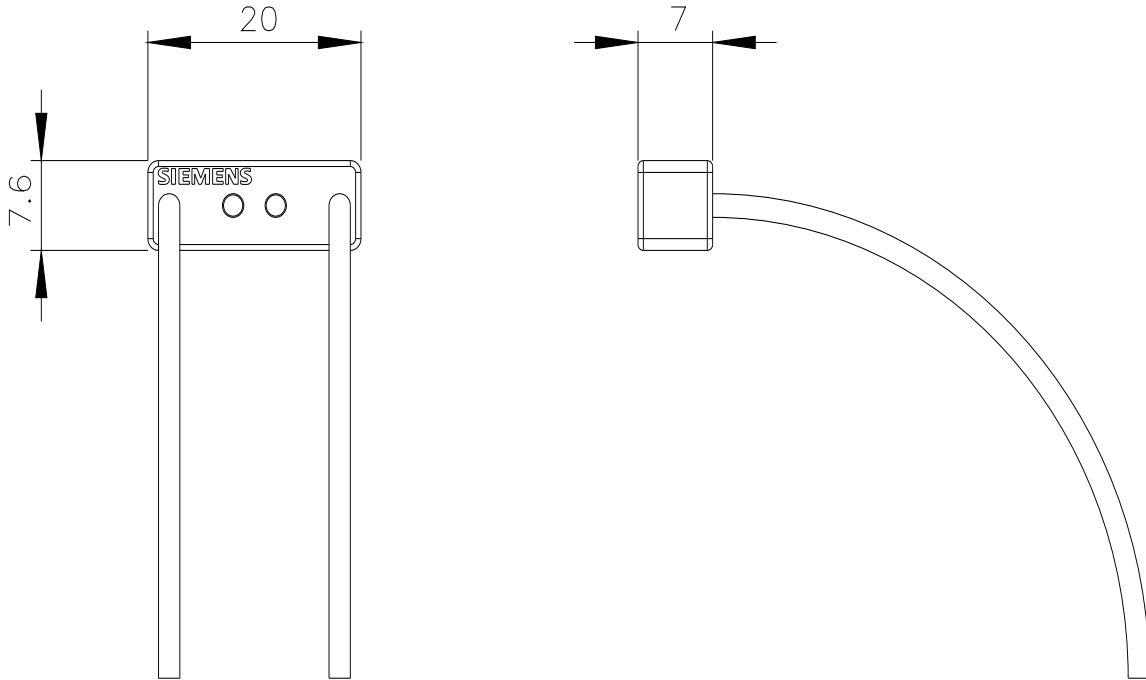
<https://support.automation.siemens.com/WW/CAXorder/default.aspx?lang=en&mlfb=3RT2926-1QT00>

Service&Support (Manuals, Certificates, Characteristics, FAQs,...)

<https://support.industry.siemens.com/cs/ww/en/ps/3RT2926-1QT00>

Image database (product images, 2D dimension drawings, 3D models, device circuit diagrams, EPLAN macros, ...)

https://www.automation.siemens.com/bilddb/cax_de.aspx?mlfb=3RT2926-1QT00&lang=en



last modified:

4/2/2025 